

Albatross Seal

professional



www.albatrossseal.com
jade.li@albatrossseal.com
+8618322017903
page:1

Contents

Stationary

Page:3	G4-Stationary
Page:4	G6-Stationary
Page:5	G9-Stationary
Page:6	BP-Stationary
Page:7	B0-Stationary
Page:8	G60-Stationary
Page:9	G13-Stationary
Page:10	V-Stationary
Page:11	V-Stationary
Page:12	AG-Stationary
Page:13	W-Stationary

Component Seals

Page:14	HJ92N
Page:15	58U
Page:16	58B
Page:17	59U
Page:18	59B
Page:19	WB2
Page:20	M7N
Page:21	M74D
Page:22	H7N
Page:23	H74D
Page:24	M3N
Page:25	HRN

Rubber Bellows

Page:26	MG9
Page:28	2100
Page:30	502
Page:31	MG1

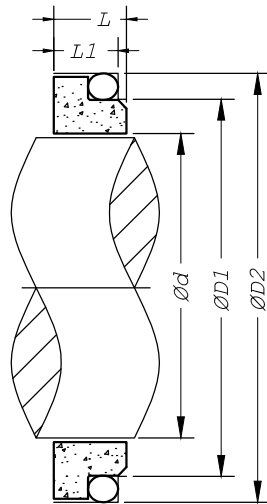
Metal Bellows

Page:32	MFL85N
Page:33	MFLWT80
Page:34	MF65
Page:35	604/606
Page:36	609
Page:37	670/676/680

Cartridge Seals

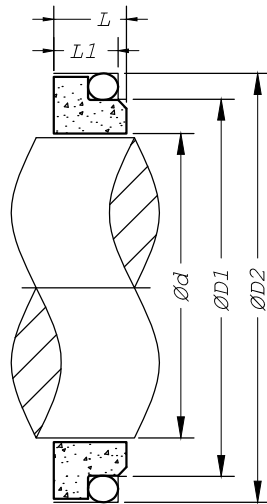
Page:38	5610/5610Q
Page:42	5611/5611Q
Page:46	5615/5615Q
Page:49	5620/5620PR
Page:52	5625/5625PR
Page:54	M-TEX
Page:55	CARTEX-SN/DN

G4-Stationary



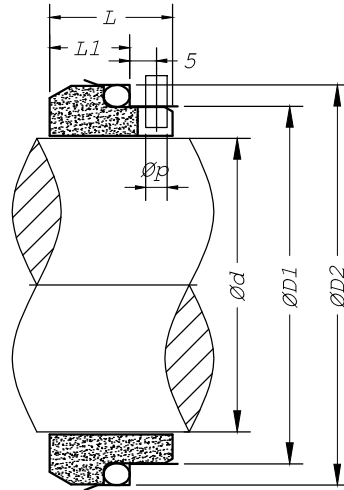
	ϕd	$\phi D1$	$\phi D2$	L1	L
G4-10mm	10	15.5	19.2	6.6	7.5
G4-12mm	12	17.5	21.6	5.6	6.5
G4-14mm	14	20.5	24.6	5.6	6.5
G4-15mm	15	20.5	24.6	6.6	7.5
G4-16mm	16	22	28	7.5	8.5
G4-18mm	18	24	30	8	9
G4-20mm	20	29.5	35	7.5	8.5
G4-22mm	22	29.5	35	7.5	8.5
G4-24mm	24	32	38	7.5	8.5
G4-25mm	25	34	38	7.5	8.5
G4-26mm	26	36	40	8	9
G4-28mm	28	39.2	42	9	10
G4-30mm	30	42.2	45	10.5	11.5
G4-32mm	32	44.2	48	10.5	11.5
G4-33mm	33	44.2	50	10.5	12
G4-35mm	35	46.2	52	11	12
G4-38mm	38	49.2	55	10.3	11.3
G4-40mm	40	52.2	58	10.8	11.8
G4-42mm	42	53.3	62	12	13.2
G4-43mm	43	53.3	62	12	13.2
G4-45mm	45	55.3	64	11.6	12.8
G4-48mm	48	59.7	68.4	11.6	12.9
G4-50mm	50	60.8	69.3	11.6	12.8
G4-53mm	53	63.8	72.3	12.3	13.5
G4-55mm	55	66.5	75.4	13.3	14.5
G4-58mm	58	69.5	78.4	13.3	14.5
G4-60mm	60	71.5	80.4	13.3	14.5
G4-63mm	63	74.5	83.4	13.3	14.2
G4-65mm	65	76.5	85.4	13	14.2
G4-68mm	68	82.7	91.5	13.7	14.9
G4-70mm	70	83	92	13	14.2
G4-75mm	75	90.2	99	14.8	15.2
G4-80mm	80	95.2	104	14.8	16.2
G4-85mm	85	100.2	109	14.8	16
G4-90mm	90	105.2	114	14.8	16
G4-95mm	95	111.6	120.3	15.8	17
G4-100mm	100	114.5	123.3	15.8	17

G6-Stationary



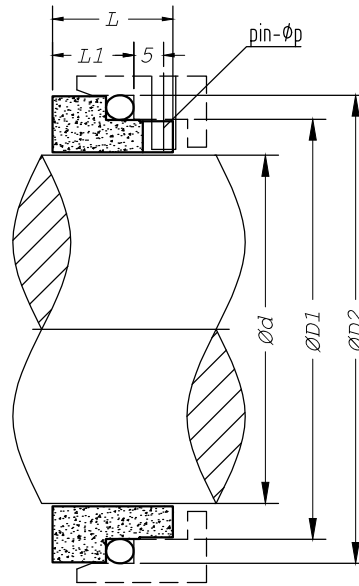
	ϕd	$\phi D1$	$\phi D2$	L1	L
G6-10mm	10	17	21	6.6	7.5
G6-12mm	12	19	23	6.6	7.5
G6-14mm	14	21	25	6.6	7.5
G6-16mm	16	23	27	6.6	7.5
G6-18mm	18	27	33	7.5	8.5
G6-20mm	20	29	35	7.5	8.5
G6-22mm	22	31	37	7.5	8.5
G6-24mm	24	33	39	7.5	8.5
G6-25mm	25	34	40	7.5	8.5
G6-28mm	28	37	43	7.5	8.5
G6-30mm	30	39	45	7.5	8.5
G6-32mm	32	42	48	7.5	8.5
G6-33mm	33	42	48	7.5	8.5
G6-35mm	35	44	50	7.5	8.5
G6-38mm	38	49	56	9	10
G6-40mm	40	51	58	9	10
G6-43mm	43	54	61	9	10
G6-45mm	45	56	63	9	10
G6-48mm	48	59	66	9	10
G6-50mm	50	62	70	9.5	10.5
G6-53mm	53	65	73	11	12
G6-55mm	55	67	75	11	12
G6-58mm	58	70	78	11	12
G6-60mm	60	72	80	11	12
G6-63mm	63	75	83	11	12
G6-65mm	65	77	85	11	12
G6-68mm	68	81	90	11.3	12.5
G6-70mm	70	83	92	11.3	12.5
G6-75mm	75	88	97	11.3	12.5
G6-80mm	80	95	105	12	13
G6-85mm	85	100	110	14	15
G6-90mm	90	105	115	14	15
G6-95mm	95	110	120	14	15
G6-100mm	100	115	125	14	15

G9-Stationary



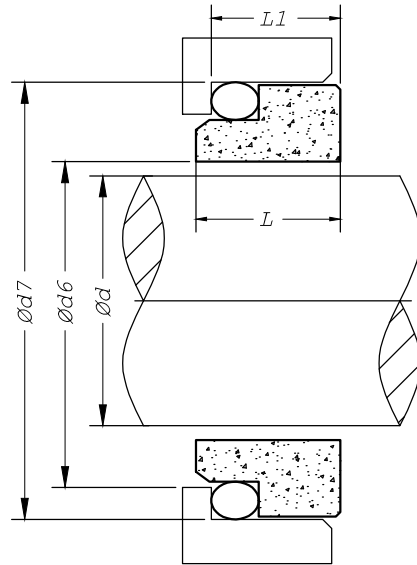
	ϕd	$\phi D1$	$\phi D2$	L1	L	ϕp
G9-10mm	10	17	21	10	17.5	3
G9-12mm	12	19	23	10	17.5	3
G9-13mm	13	21	25	10	17.5	3
G9-16mm	16	23	27	10	17.5	3
G9-18mm	18	27	33	11.5	19.5	3
G9-20mm	20	29	35	11.5	19.5	3
G9-22mm	22	31	37	11.5	19.5	3
G9-24mm	24	33	39	11.5	19.5	3
G9-25mm	25	34	40	11.5	19.5	3
G9-28mm	28	37	43	11.5	19.5	3
G9-30mm	30	39	45	11.5	19.5	3
G9-32mm	32	42	48	11.5	19.5	3
G9-33mm	33	42	48	11.5	19.5	3
G9-35mm	35	44	50	11.5	19.5	3
G9-38mm	38	49	56	14	22	4
G9-40mm	40	51	58	14	22	4
G9-43mm	43	54	61	14	22	4
G9-45mm	45	56	63	14	22	4
G9-48mm	48	59	66	14	22	4
G9-50mm	50	62	70	15	23	4
G9-53mm	53	65	73	15	23	4
G9-55mm	55	67	75	15	23	4
G9-58mm	58	70	78	15	23	4
G9-60mm	60	72	80	15	23	4
G9-63mm	63	75	83	15	23	4
G9-65mm	65	77	85	15	23	4
G9-68mm	68	81	90	18	26	4
G9-70mm	70	83	92	18	26	4
G9-75mm	75	88	97	18	26	4
G9-80mm	80	95	105	18.2	26.2	4
G9-85mm	85	100	110	18.2	26.2	4
G9-90mm	90	105	115	18.2	26.2	4
G9-95mm	95	110	120	18.2	25.2	4
G9-100mm	100	115	125	18.2	25.2	4

BP-Stationary



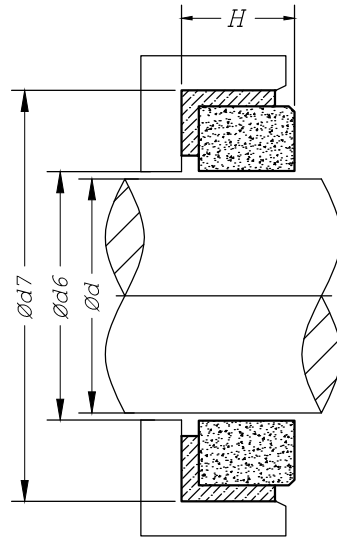
	ϕd	$\phi D1$	$\phi D2$	L1	L	ϕp
BP-14mm	13	21	25	12	18.5	3
BP-16mm	16	23	27	12	18.5	3
BP-18mm	18	27	33	13.5	20.5	3
BP-20mm	20	29	35	13.5	20.5	3
BP-22mm	22	31	37	13.5	20.5	3
BP-24mm	24	33	39	13.3	20.3	3
BP-25mm	25	34	40	13	20	3
BP-28mm	28	37	43	12.5	19.5	3
BP-30mm	30	39	45	12	19	3
BP-32mm	32	42	48	12	19	3
BP-33mm	33	42	48	12	19	3
BP-35mm	35	44	50	12	19	3
BP-38mm	38	49	56	13	20	4
BP-40mm	40	51	58	13	20	4
BP-43mm	43	54	61	13	20	4
BP-45mm	45	56	63	13	20	4
BP-48mm	48	59	66	13	20	4
BP-50mm	50	62	70	13.5	20.5	4
BP-53mm	53	65	73	13.5	20.5	4
BP-55mm	55	67	75	13.5	20.5	4
BP-58mm	58	70	78	13.5	20.5	4
BP-60mm	60	72	80	13.5	20.5	4
BP-63mm	63	75	83	13.5	20.5	4
BP-65mm	65	77	85	13.5	20.5	4
BP-68mm	68	81	90	13.5	20.5	4
BP-70mm	70	83	92	14.5	21.5	4
BP-75mm	75	88	97	14.5	21.5	4
BP-80mm	80	95	105	15	22	4
BP-85mm	85	100	110	15	22	4
BP-90mm	90	105	115	15	22	4
BP-95mm	95	110	120	15	22	4
BP-100mm	100	115	125	15	22	4

BO-Stationary



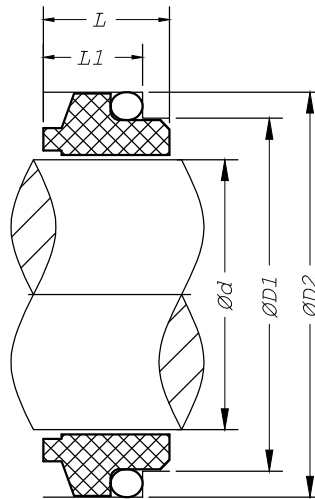
	ϕd	$\phi d6$	$\phi d7$	L1	L
BO-14mm	13	21	25	12	12.8
BO-16mm	16	23	27	12	12.8
BO-18mm	18	27	33	13.5	14.5
BO-20mm	20	29	35	13.5	14.5
BO-22mm	22	31	37	13.5	14.5
BO-24mm	24	33	39	13.3	14.3
BO-25mm	25	34	40	13	14
BO-28mm	28	37	43	12.5	13.5
BO-30mm	30	39	45	12	13
BO-32mm	32	42	48	12	13
BO-33mm	33	42	48	12	13
BO-35mm	35	44	50	12	13
BO-38mm	38	49	56	13	14
BO-40mm	40	51	58	13	14
BO-43mm	43	54	61	13	14
BO-45mm	45	56	63	13	14
BO-48mm	48	59	66	13	14
BO-50mm	50	62	70	13.5	14.5
BO-53mm	53	65	73	13.5	14.5
BO-55mm	55	67	75	13.5	14.5
BO-58mm	58	70	78	13.5	14.2
BO-60mm	60	72	80	13.5	14.2
BO-63mm	63	75	83	13.5	14.2
BO-65mm	65	77	85	13.5	14.2
BO-68mm	68	81	90	13.5	14.2
BO-70mm	70	83	92	14.5	15.2
BO-75mm	75	88	97	14.5	15.2
BO-80mm	80	95	105	15	15.7
BO-85mm	85	100	110	15	15.7
BO-90mm	90	105	115	15	15.7
BO-95mm	95	110	120	15	15.7
BO-100mm	100	115	125	15	15.7

G60-Stationary



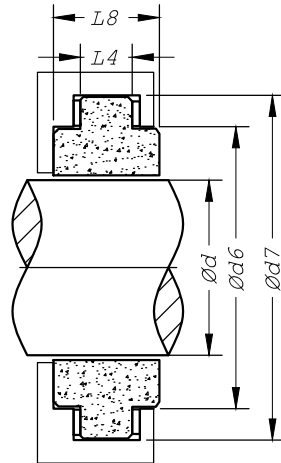
	ϕd	$\phi d6$	$\phi d7$	H	
G60-10mm	10	17	21	6.6	
G60-12mm	12	19	23	6.6	
G60-13mm	13	21	25	6.6	
G60-16mm	16	23	27	6.6	
G60-18mm	18	27	33	7.5	
G60-20mm	20	29	35	7.5	
G60-22mm	22	31	37	7.5	
G60-24mm	24	33	39	7.5	
G60-25mm	25	34	40	7.5	
G60-28mm	28	37	43	7.5	
G60-30mm	30	39	45	7.5	
G60-32mm	32	42	48	7.5	
G60-33mm	33	42	48	7.5	
G60-35mm	35	44	50	7.5	
G60-38mm	38	49	56	9	
G60-40mm	40	51	58	9	
G60-43mm	43	54	61	9	
G60-45mm	45	56	63	9	
G60-48mm	48	59	66	9	
G60-50mm	50	62	70	9.5	
G60-53mm	53	65	73	11	
G60-55mm	55	67	75	11	
G60-58mm	58	70	78	11	
G60-60mm	60	72	80	11	
G60-63mm	63	75	83	11	
G60-65mm	65	77	85	11	
G60-68mm	68	81	90	11.3	
G60-70mm	70	83	92	11.3	
G60-75mm	75	88	97	12	
G60-80mm	80	95	105	14	
G60-85mm	85	100	110	14	
G60-90mm	90	105	115	14	
G60-95mm	95	110	120	14	
G60-100mm	100	115	125	14	

G13-Stationary



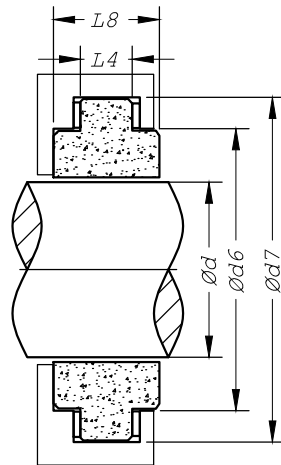
	ϕd	$\phi D1$	$\phi D2$	$L1$	L
G13-10mm	10	15.5	19.2	7.1	9
G13-12mm	12	17.5	21.6	7.6	10
G13-14mm	14	20.5	24.6	7.6	10
G13-15mm	15	20.5	24.6	8.6	11
G13-16mm	16	22	28	9	11.5
G13-18mm	18	24	30	10	12.5
G13-20mm	20	29.5	35	9.5	12.5
G13-22mm	22	29.5	35	9.5	12.5
G13-24mm	24	32	38	9.5	12.5
G13-25mm	25	32	38	9.5	12.5
G13-26mm	26	34	40	10	13
G13-28mm	28	36	42	11	14
G13-30mm	30	39.2	45	11	14
G13-32mm	32	42.2	48	11	14
G13-33mm	33	44.2	50	11.5	14.5
G13-35mm	35	46.2	52	11.5	14.5
G13-38mm	38	49.2	55	11.5	14.5
G13-40mm	40	52.2	58	11.5	14.5
G13-42mm	42	53.3	62	14.3	17
G13-43mm	43	54.3	62	14.3	17
G13-45mm	45	55.3	64	14.3	17
G13-48mm	48	59.7	68.4	14.3	17
G13-50mm	50	60.8	69.3	14.3	17
G13-53mm	53	63.8	72.3	14.3	17
G13-55mm	55	66.5	75.4	15.3	18
G13-58mm	58	69.5	78.4	15.3	18
G13-60mm	60	71.5	80.4	15.3	18
G13-63mm	63	74.5	83.4	15.3	18
G13-65mm	65	76.5	85.4	15.3	18
G13-68mm	68	82.7	91.5	16	19
G13-70mm	70	83	92	15.3	18
G13-75mm	75	90.2	99	15.3	18
G13-80mm	80	95.2	104	16.3	19
G13-85mm	85	100.2	109	16.3	19
G13-90mm	90	105.2	114	16.3	19
G13-95mm	95	111.6	120.3	17.3	20
G13-100mm	100	114.5	123.3	17.3	20

V-Stationary/inch



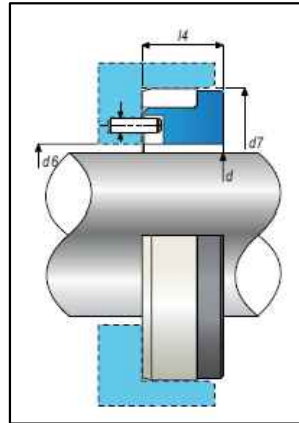
d(inch)	d6	d7	14	18
0.750	36.51	48.00	8.0	9.6
0.875	39.69	51.00	8.0	9.6
1.000	42.86	54.00	8.0	9.6
1.125	50.80	65.00	11.0	16.0
1.250	53.98	68.00	11.0	16.0
1.375	57.15	71.00	11.0	16.0
1.500	63.50	78.00	11.0	16.0
1.625	66.68	81.00	11.0	16.0
1.750	69.85	84.00	11.0	16.0
1.875	73.03	87.00	14.3	16.0
2.000	79.38	97.00	14.3	19.0
2.125	82.55	100.00	14.3	19.0
2.250	85.73	103.00	14.3	19.0
2.375	88.90	106.00	14.3	19.0
2.500	92.08	110.00	14.3	19.0
2.625	95.25	113.00	14.3	19.0
2.750	98.43	116.00	14.3	19.0
2.875	100.01	117.00	14.3	19.0
3.000	103.19	121.00	14.3	19.0
3.250	114.30	132.00	14.3	19.0
3.500	120.65	138.00	14.3	19.0
3.750	127.00	144.00	14.3	19.0
4.000	133.35	151.00	14.3	19.0

V-Stationary/mm



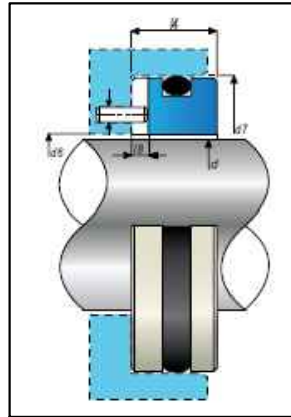
d (metric)	d6	d7	l4	l8
16	36.51	48	7.9	17.4
18	36.51	48	7.9	17.4
20	39.69	51	7.9	17.4
22	39.69	51	7.9	17.4
24	42.86	54	7.9	17.4
25	42.86	54	7.9	17.4
28	50.80	65	11.1	26.9
30	53.98	68	11.1	26.9
32	53.98	68	11.1	26.9
33	57.15	71	11.1	26.9
35	57.15	71	11.1	26.9
38	63.50	78	11.1	26.9
40	66.68	81	11.1	26.9
43	69.85	84	11.1	26.9
45	69.85	84	11.1	26.9
48	79.38	97	14.3	9.5
50	79.38	97	14.3	9.5
53	82.55	100	14.3	9.5
55	85.73	103	14.3	9.5
58	88.90	106	14.3	9.5
60	88.90	106	14.3	9.5
63	92.08	110	14.3	9.5
65	95.25	113	14.3	9.5
68	98.43	116	14.3	9.5
70	98.43	116	14.3	9.5
75	103.19	121	14.3	9.5
80	114.30	132	14.3	9.5
85	120.65	138	14.3	9.5
90	127.00	144	14.3	9.5
95	127.00	144	14.3	9.5
100	133.35	151	14.3	9.5

AG-Stationary



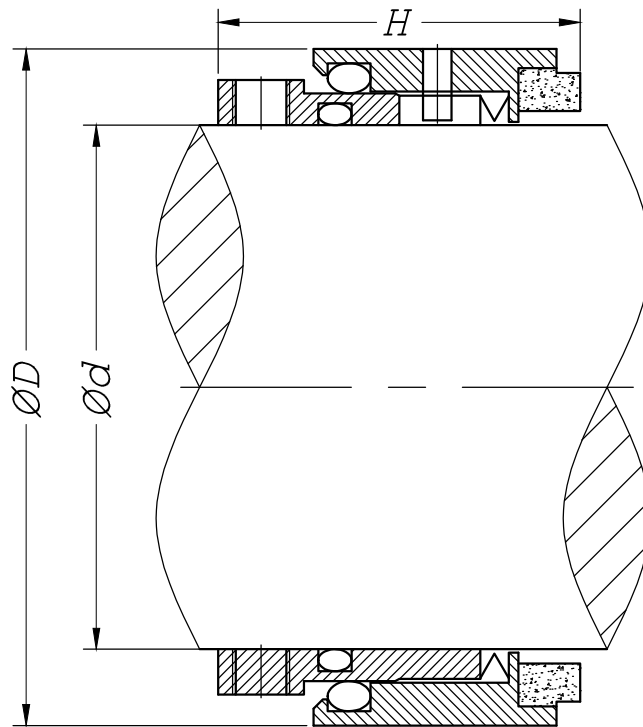
<i>d(inch)</i>	<i>d6</i>	<i>d7</i>	<i>l4</i>
0.250	7.1	19.05	7.9
0.375	10.2	22.23	7.9
0.500	13.4	25.40	7.9
0.625	16.6	31.75	10.3
0.750	19.7	34.93	10.3
0.875	22.9	38.10	10.3
1.000	26.1	41.28	11.1
1.125	29.3	44.45	11.1
1.250	32.4	47.63	11.1
1.375	35.6	50.80	11.1
1.500	38.8	53.98	11.1
1.625	42.4	60.33	12.7
1.750	45.5	63.50	12.7
1.875	48.7	66.68	12.7
2.000	51.9	69.85	14.3
2.125	55.0	76.20	14.3
2.250	58.2	79.38	14.3
2.375	61.4	82.55	14.3
2.500	64.6	85.73	15.9
2.625	67.7	85.73	15.9
2.750	70.9	88.90	15.9
2.875	74.1	95.25	15.9
3.000	77.3	98.43	19.8
3.125	80.5	101.60	19.8
3.250	83.6	104.78	19.8
3.375	86.8	107.95	19.8
3.500	90.0	111.13	19.8
3.625	93.1	114.30	19.8
3.750	96.3	117.48	19.8
3.875	99.5	120.65	19.8
4.000	102.7	123.83	19.8
4.125	106.3	130.18	19.8
4.250	109.5	133.35	19.8
4.375	112.7	136.53	19.8
4.500	115.9	139.70	19.8
4.625	119.0	142.88	19.8
4.750	122.2	146.05	19.8
4.875	125.4	149.23	19.8
5.000	128.6	152.40	19.8

W-Stationary



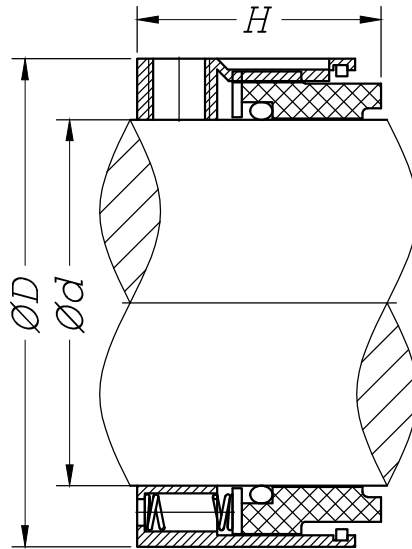
d(inch)	d6	d7	l4	l7
0.375	11.0	24.60	8.7	-
0.500	13.5	27.80	8.7	-
0.625	17.0	30.95	10.3	2.0
0.750	20.0	34.15	10.3	2.0
0.813	21.5	35.70	10.3	2.0
0.875	23.0	37.30	10.3	2.0
1.000	26.5	40.50	10.3	2.0
1.125	29.5	47.65	11.9	2.5
1.250	32.5	50.80	11.9	2.5
1.375	36.5	54.00	11.9	2.5
1.500	39.5	57.15	11.9	2.5
1.625	42.5	60.35	11.9	2.5
1.750	46.0	63.50	11.9	2.5
1.875	49.0	66.70	11.9	2.5
2.000	52.0	69.85	13.5	3.0
2.125	55.5	73.05	13.5	3.0
2.250	58.5	76.20	13.5	3.0
2.375	61.5	79.40	13.5	3.0
2.500	65.0	82.55	13.5	3.0
2.625	68.0	92.10	15.9	3.0
2.750	71.0	95.25	15.9	3.0
2.875	74.5	98.45	15.9	3.0
3.000	77.5	101.60	15.9	3.0
3.125	80.5	111.15	19.9	4.0
3.250	84.0	114.30	19.9	4.0
3.375	87.0	117.50	19.9	4.0
3.500	90.5	120.65	19.9	4.0
3.625	93.5	123.85	19.9	4.0
3.750	96.5	127.00	19.9	4.0
3.875	100.0	130.20	19.9	4.0
4.000	103.0	133.35	19.9	4.0

Replacement of HJ92N



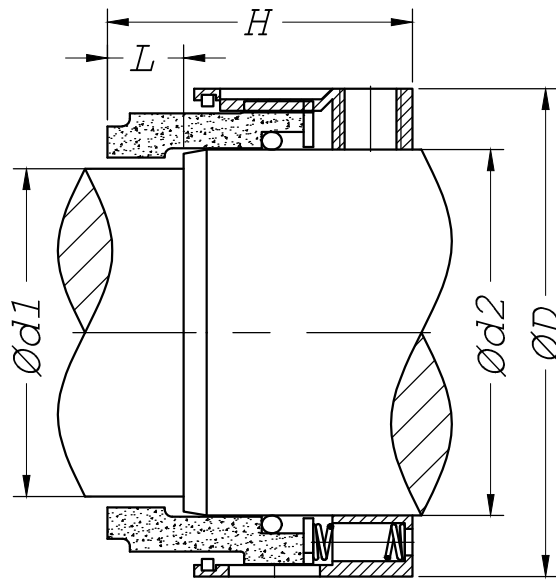
	ϕd	ϕD	H
HJ92N-18mm	18	32	30.5
HJ92N-20mm	20	34	30.5
HJ92N-22mm	22	36	30.5
HJ92N-24mm	24	38	33
HJ92N-25mm	25	39	33
HJ92N-28mm	28	42	35.5
HJ92N-30mm	30	44	35.5
HJ92N-32mm	32	47	35.5
HJ92N-33mm	33	47	35.5
HJ92N-35mm	35	49	35.5
HJ92N-38mm	38	54	37
HJ92N-40mm	40	56	37
HJ92N-43mm	43	59	37
HJ92N-45mm	45	61	37
HJ92N-48mm	48	64	37
HJ92N-50mm	50	66	38
HJ92N-53mm	53	69	38
HJ92N-55mm	55	71	38
HJ92N-58mm	58	78	42
HJ92N-60mm	60	80	42
HJ92N-63mm	63	83	42
HJ92N-65mm	65	85	42
HJ92N-68mm	68	88	41.5
HJ92N-70mm	70	90	48.5
HJ92N-75mm	75	99	48.5
HJ92N-80mm	80	104	48.5
HJ92N-85mm	85	109	48.5
HJ92N-90mm	90	114	52
HJ92N-95mm	95	119	52
HJ92N-100mm	100	124	52

Replacement of 58U



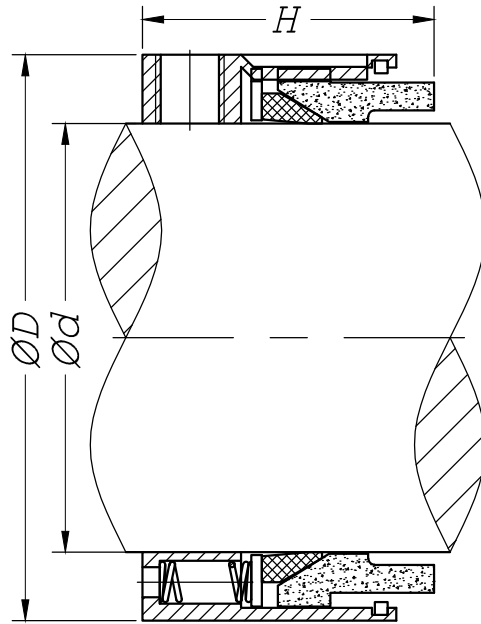
	ϕd	ϕD	H
58U-18mm	18	32	24
58U-20mm	20	34	24
58U-22mm	22	36	24
58U-24mm	24	38	26.7
58U-25mm	25	39	27
58U-28mm	28	42	30
58U-30mm	30	44	30.5
58U-32mm	32	46	30.5
58U-33mm	33	47	30.5
58U-35mm	35	49	30.5
58U-38mm	38	54	32
58U-40mm	40	56	32
58U-43mm	43	59	32
58U-45mm	45	61	32
58U-48mm	48	64	32
58U-50mm	50	66	34
58U-53mm	53	69	34
58U-55mm	55	71	34
58U-58mm	58	78	39
58U-60mm	60	80	39
58U-63mm	63	83	39
58U-65mm	65	85	39
58U-68mm	68	88	39
58U-70mm	70	90	45
58U-75mm	75	95	45
58U-80mm	80	104	45
58U-85mm	85	109	45
58U-90mm	90	114	50
58U-95mm	95	119	50
58U-100mm	100	124	50

Replacement of 58B



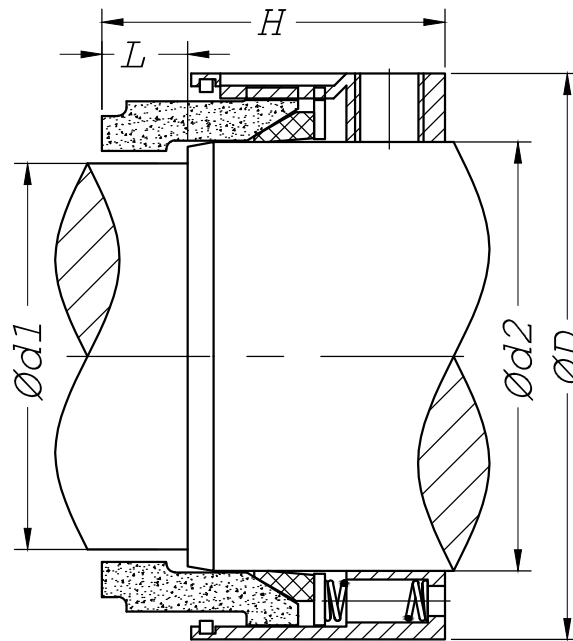
	$\phi d1$	$\phi d2$	ϕD	L	H
58B-22-18	18	22	36	6.5	32
58B-24-20	20	24	38	6.5	32
58B-26-22	22	26	40	6.5	32
58B-28-24	24	28	42	6.7	34
58B-30-25	25	30	44	7	35
58B-33-28	28	33	47	7.5	38
58B-35-30	30	35	49	8	38
58B-38-32	32	38	54	8	38
58B-38-33	33	38	54	8	38
58B-40-35	35	40	56	8	38
58B-43-38	38	43	59	10	40
58B-45-40	40	45	61	10	40
58B-48-43	43	48	64	10	40
58B-50-45	45	50	66	10	40
58B-53-48	48	53	69	10	40
58B-55-50	50	55	71	11.5	44
58B-58-53	53	58	78	11.5	44
58B-60-55	55	60	80	11.5	44
58B-63-58	58	63	83	11.5	49
58B-65-60	60	65	85	11.5	49
58B-68-63	63	68	88	11.5	49
58B-70-65	65	70	90	11.5	49
58B-75-70	70	75	95	13.5	55
58B-80-75	75	80	104	13.5	55
58B-85-80	80	85	109	13	55
58B-90-85	85	90	114	13	60
58B-95-90	90	95	119	13	60
58B-100-95	95	100	124	13	60
58B-105-100	100	105	129	13	60

Replacement of 59U



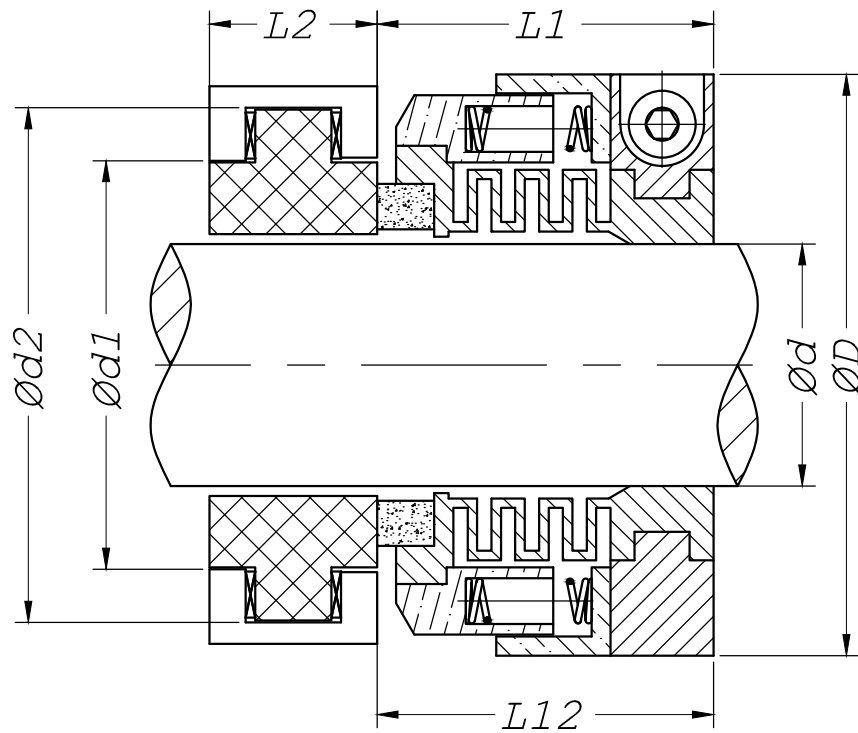
	$\varnothing d$	$\varnothing D$	H
59U-18mm	18	32	24
59U-20mm	20	34	24
59U-22mm	22	36	24
59U-24mm	24	38	26.7
59U-25mm	25	39	27
59U-28mm	28	42	30
59U-30mm	30	44	30.5
59U-32mm	32	46	30.5
59U-33mm	33	47	30.5
59U-35mm	35	49	30.5
59U-38mm	38	54	32
59U-40mm	40	56	32
59U-43mm	43	59	32
59U-45mm	45	61	32
59U-48mm	48	64	32
59U-50mm	50	66	34
59U-53mm	53	69	34
59U-55mm	55	71	34
59U-58mm	58	78	39
59U-60mm	60	80	39
59U-63mm	63	83	39
59U-65mm	65	85	39
59U-68mm	68	88	39
59U-70mm	70	90	45
59U-75mm	75	95	45
59U-80mm	80	104	45
59U-85mm	85	109	45
59U-90mm	90	114	50
59U-95mm	95	119	50
59U-100mm	100	124	50

Replacement of 59B



	$\phi d1$	$\phi d2$	ϕD	L	H
59B-22-18	18	22	36	6.5	32
59B-24-20	20	24	38	6.5	32
59B-26-22	22	26	40	6.5	32
59B-28-24	24	28	42	6.7	34
59B-30-25	25	30	44	7	35
59B-33-28	28	33	47	7.5	38
59B-35-30	30	35	49	8	38
59B-38-32	32	38	54	8	38
59B-38-33	33	38	54	8	38
59B-40-35	35	40	56	8	38
59B-43-38	38	43	59	10	40
59B-45-40	40	45	61	10	40
59B-48-43	43	48	64	10	40
59B-50-45	45	50	66	10	40
59B-53-48	48	53	69	10	40
59B-55-50	50	55	71	11.5	44
59B-58-53	53	58	78	11.5	44
59B-60-55	55	60	80	11.5	44
59B-63-58	58	63	83	11.5	49
59B-65-60	60	65	85	11.5	49
59B-68-63	63	68	88	11.5	49
59B-70-65	65	70	90	11.5	49
59B-75-70	70	75	95	13.5	55
59B-80-75	75	80	104	13.5	55
59B-85-80	80	85	109	13	55
59B-90-85	85	90	114	13	60
59B-95-90	90	95	119	13	60
59B-100-95	95	100	124	13	60
59B-105-100	100	105	129	13	60

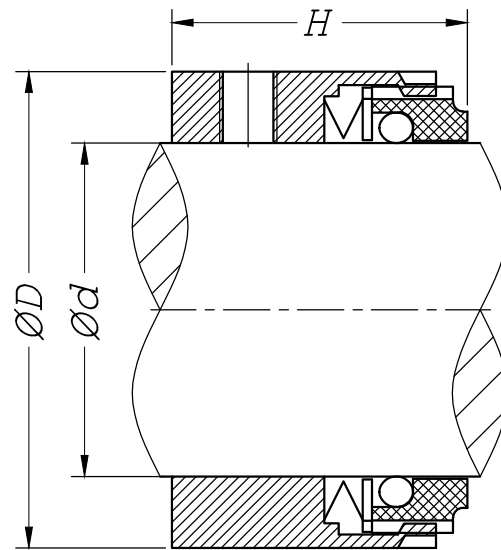
Replacement of WB2



	ϕd	ϕd_1	ϕd_2	ϕD	L1	L12	L2
WB2-25	25	47	60	60	42	45	27
WB2-30	30	53	67	67	42	45	27
WB2-32	32	50.7	64	69	42	45	27
WB2-35	35	57	70	72	42	45	27
WB2-40	40	62	76	78	42	45	26
WB2-45	45	67	82	84	44	46	27
WB2-50	50	72	86	88	46	46	27
WB2-55	55	77	90	95	46	46	27
WB2-60	60	82	95	100	46	46	27
WB2-65	65	87	100	105	46	46	27

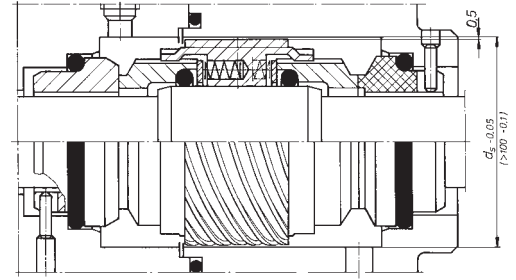
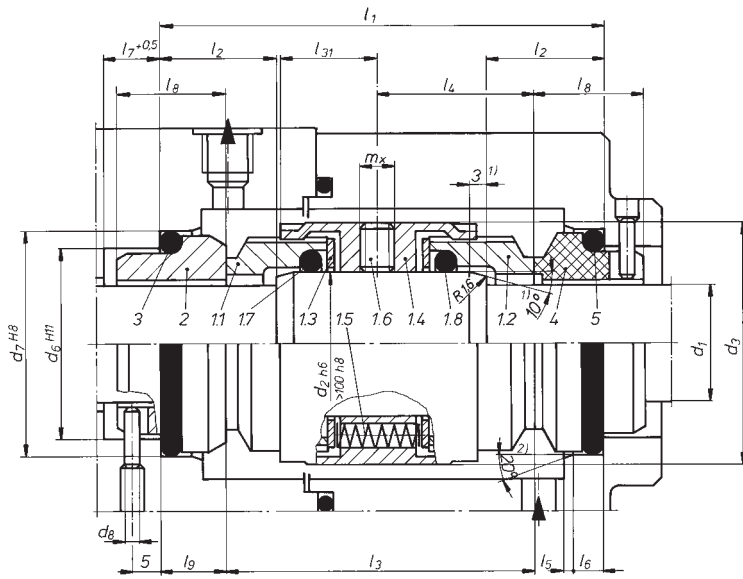
	ϕd	ϕd_1	ϕd_2	ϕD	L1	L12	L2
WB2-1"	25.4	42.86	54	60	42	45	17.5
WB2-1.125"	28.6	46.03	60	67	42	45	27
WB2-1.25"	31.7	50.8	65	69	42	45	27
WB2-1.375"	34.9	53.98	68	72	42	45	27
WB2-1.5"	38.1	57.15	71	76	42	45	26
WB2-1.625"	41.2	63.5	78	80	42	45	27
WB2-1.75"	44.4	66.68	81	84	44	46	27
WB2-1.875"	47.6	69.85	84	86	44	46	27
WB2-2"	50.8	73.03	87	90	46	46	27
WB2-2.125"	53.9	79.38	97	95	46	46	33.5
WB2-2.25"	57.1	82.55	100	98	46	46	33.5
WB2-2.375"	60.3	85.73	103	100	46	46	33.5

Replacement of M7N



	ϕd	ϕD	H
M7N-18mm	18	33	26
M7N-20mm	20	35	26
M7N-22mm	22	37	26
M7N-24mm	24	39	28.5
M7N-25mm	25	40	28.5
M7N-28mm	28	43	31
M7N-30mm	30	45	31
M7N-32mm	32	47	31
M7N-33mm	33	48	31
M7N-35mm	35	50	31
M7N-38mm	38	55	31
M7N-40mm	40	57	31
M7N-43mm	43	60	31
M7N-45mm	45	62	31
M7N-48mm	48	65	31
M7N-50mm	50	67	32.5
M7N-53mm	53	70	32.5
M7N-55mm	55	72	32.5
M7N-58mm	58	79	37.5
M7N-60mm	60	81	37.5
M7N-63mm	63	84	37.5
M7N-65mm	65	86	37.5
M7N-68mm	68	89	34.5
M7N-70mm	70	91	42
M7N-75mm	75	99	42
M7N-80mm	80	104	41.8
M7N-85mm	85	109	41.8
M7N-90mm	90	114	46.8
M7N-95mm	95	119	47.8
M7N-100mm	100	124	47.8

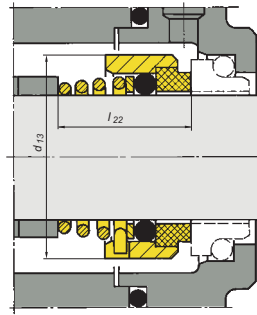
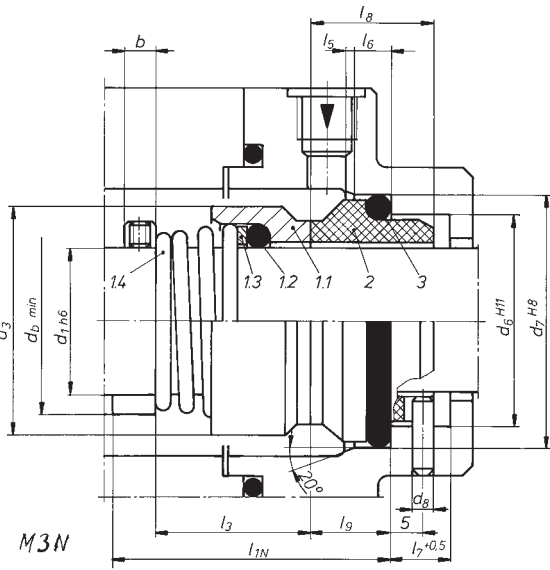
H74-D



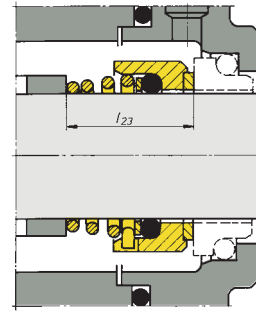
H74F-D

Dimensions, item no's and descriptions as for H74-D, but with a **pumping screw** (Item no. 1.4). Dependent on the direction of rotation!

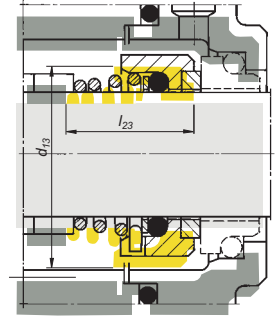
d ₁	d ₂	d ₃	d ₆	d ₇	d ₈	d ₅	l ₁	l ₂	l ₃	l ₄	l ₅	l ₆	l ₇	l ₈	l ₉	l ₃₁	m _x
14	18	33	21.0	25.0	3	-	73.0	18	53.0	26.5	1.5	4	8.5	17.5	10.0	17.0	M5
16	20	35	23.0	27.0	3	-	73.0	18	53.0	26.5	1.5	4	8.5	17.5	10.0	17.0	M5
18	22	37	27.0	33.0	3	42	76.0	20	53.0	26.5	2.0	5	9.0	19.5	11.5	17.0	M5
20	24	39	29.0	35.0	3	44	76.0	20	53.0	26.5	2.0	5	9.0	19.5	11.5	17.0	M5
22	26	41	31.0	37.0	3	45	76.0	20	53.0	26.5	2.0	5	9.0	19.5	11.5	17.0	M5
24	28	43	33.0	39.0	3	47	77.0	20	54.0	27.0	2.0	5	9.0	19.5	11.5	17.5	M6
25	30	45	34.0	40.0	3	49	77.0	20	54.0	27.0	2.0	5	9.0	19.5	11.5	17.5	M6
28	33	48	37.0	43.0	3	51	77.0	20	54.0	27.0	2.0	5	9.0	19.5	11.5	17.5	M6
30	35	50	39.0	45.0	3	54	77.0	20	54.0	27.0	2.0	5	9.0	19.5	11.5	17.5	M6
32	38	55	42.0	48.0	3	59	79.0	20	56.0	28.0	2.0	5	9.0	19.5	11.5	18.5	M6
33	38	55	42.0	48.0	3	59	79.0	20	56.0	28.0	2.0	5	9.0	19.5	11.5	18.5	M6
35	40	57	44.0	50.0	3	61	80.0	20	57.0	28.5	2.0	5	9.0	19.5	11.5	19.0	M6
38	43	60	49.0	56.0	4	65	85.0	23	57.0	28.5	2.0	6	9.0	22.0	14.0	19.0	M6
40	45	62	51.0	58.0	4	66	85.0	23	57.0	28.5	2.0	6	9.0	22.0	14.0	19.0	M6
43	48	65	54.0	61.0	4	69	85.0	23	57.0	28.5	2.0	6	9.0	22.0	14.0	19.0	M6
45	50	67	56.0	63.0	4	71	84.0	23	56.0	28.0	2.0	6	9.0	22.0	14.0	19.5	M6
48	53	70	59.0	66.0	4	75	84.0	23	56.0	28.0	2.0	6	9.0	22.0	14.0	19.5	M6
50	55	72	62.0	70.0	4	76	93.0	25	63.0	31.5	2.5	6	9.0	23.0	15.0	19.5	M6
53	58	79	65.0	73.0	4	83	97.0	25	67.0	33.5	2.5	6	9.0	23.0	15.0	23.5	M8
55	60	81	67.0	75.0	4	85	97.0	25	67.0	33.5	2.5	6	9.0	23.0	15.0	23.5	M8
58	63	84	70.0	78.0	4	88	104.0	25	74.0	37.0	2.5	6	9.0	23.0	15.0	24.5	M8
60	65	86	72.0	80.0	4	95	104.0	25	74.0	37.0	2.5	6	9.0	23.0	15.0	24.5	M8
63	68	89	75.0	83.0	4	93	109.0	25	79.0	39.5	2.5	6	9.0	23.0	15.0	24.5	M8
65	70	91	77.0	85.0	4	95	98.0	25	68.0	34.0	2.5	6	9.0	23.0	15.0	23.5	M8
70	75	99	83.0	92.0	4	105	112.5	28	76.4	38.2	2.5	7	9.0	26.0	18.0	25.5	M8
75	80	104	88.0	97.0	4	109	112.5	28	76.4	38.2	2.5	7	9.0	26.0	18.0	25.5	M8
80	85	109	95.0	105.0	4	114	112.5	28	76.0	38.0	3.0	7	9.0	26.2	18.2	25.0	M8
85	90	114	100.0	110.0	4	119	112.5	28	76.0	38.0	3.0	7	9.0	26.2	18.2	25.5	M8
90	95	119	105.0	115.0	4	124	112.5	28	76.0	38.0	3.0	7	9.0	26.2	18.2	25.0	M8
95	100	124	110.0	120.0	4	129	110.5	28	76.0	38.0	3.0	7	9.0	25.2	17.2	25.0	M8
100	105	129	115.0	125.0	4	134	110.5	28	76.0	38.0	3.0	7	9.0	25.2	17.2	25.5	M8
105	115	148	122.2	134.3	5	153	122.0	32	82.0	41.0	2.0	10	-	30.0	20.0	31.5	M8
110	120	153	128.2	140.3	5	158	122.0	32	82.0	41.0	2.0	10	-	30.0	20.0	31.5	M8
115	125	158	136.2	148.3	5	163	122.0	32	82.0	41.0	2.0	10	-	30.0	20.0	31.5	M8
120	130	163	138.2	150.3	5	168	122.0	32	82.0	41.0	2.0	10	-	30.0	20.0	31.5	M8
125	135	168	142.2	154.3	5	173	122.0	32	82.0	41.0	2.0	10	-	30.0	20.0	31.5	M8
130	140	173	146.2	158.3	5	178	122.0	32	82.0	41.0	2.0	10	-	30.0	20.0	31.5	M8
135	145	178	152.2	164.3	5	183	122.0	32	82.0	41.0	2.0	10	-	30.0	20.0	31.5	M8
140	150	183	156.2	168.3	5	188	122.0	32	82.0	41.0	2.0	10	-	30.0	20.0	31.5	M8
145	155	191	161.2	173.3	5	196	133.0	34	93.0	46.5	2.0	10	-	30.0	20.0	35.5	M8
150	160	196	168.2	180.3	5	201	137.0	36	93.0	46.5	2.0	10	-	32.0	22.0	35.5	M8
155	165	201	173.2	185.3	5	206	141.0	38	93.0	46.5	2.0	12	-	34.0	24.0	35.5	M8
160	170	206	178.2	190.3	5	211	141.0	38	93.0	46.5	2.0	12	-	34.0	24.0	35.5	M8
165	175	211	183.2	195.3	5	216	141.0	38	93.0	46.5	2.0	12	-	34.0	24.0	35.5	M8
170	180	216	188.2	200.3	5	221	141.0	38	93.0	46.5	2.0	12	-	34.0	24.0	35.5	M8
175	185	221	193.2	205.3	5	226	141.0	38	93.0	46.5	2.0	12	-	34.0	24.0	35.5	M8
180	190	226	207.5	219.3	5	231	149.0	42	93.0	46.5	2.0	12	-	38.0	28.0	35.5	M8
185	195	231	212.5	224.3	5	236	149.0	42	93.0	46.5	2.0	12	-	38.0	28.0	35.5	M8
190	200	236	217.5	229.3	5	241	149.0	42	93.0	46.5	2.0	12	-	38.0	28.0	35.5	M8
195	205	245	222.5	234.3	5	250	151.0	43	95.0	47.5	2.0	12	-	38.0	28.0	-	M10
200	210	250	227.5	239.3	5	255	151.0	43	95.0	47.5	2.0	12	-	38.0	28.0	-	M10



M32



M37

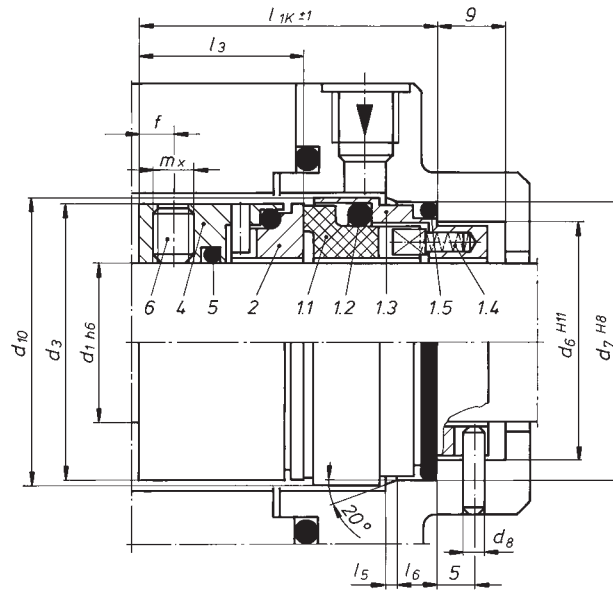


M37G

M3N

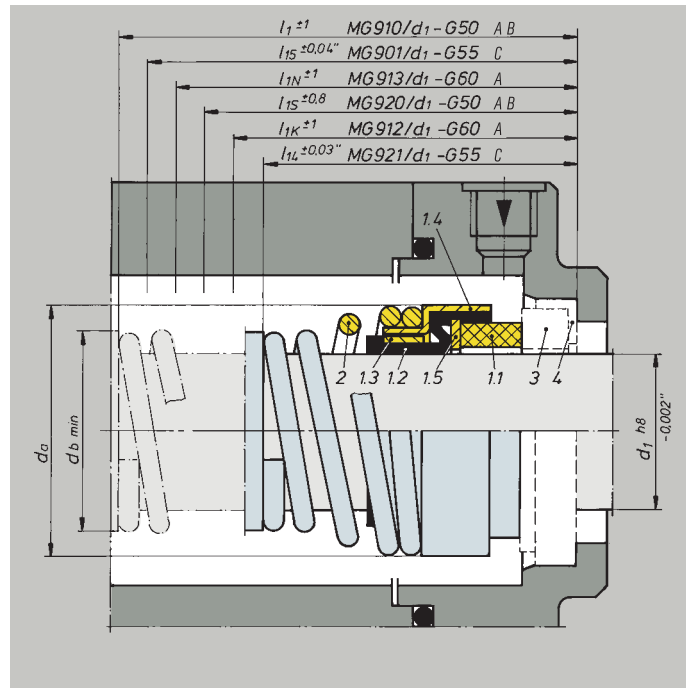
d1	d3	d6	d7	d8	d11 ¹⁾	d12 ¹⁾	d13	db	l1N	l3	l5	l6	l7	l8	l9	l10	l11	l12	l13	l14	l15	l16	l21	l22	l23	l28	b ²⁾	R	
6	14	-	-	-	11.5	16.0	16	8	-	-	-	-	-	-	-	-	9.0	6.5	7.1	5.6	1.2	3.8	10.5	11.9	-	-	-	1.2	
8	18	-	-	-	15.5	19.2	18	11	-	-	-	-	-	-	-	-	9.0	8.0	7.1	7.0	1.2	3.8	15.5	16.9	-	-	-	1.2	
10*	19	17	21	3	15.5	19.2	20	13	40	15.5	1.5	4	8.5	17.5	10.0	7.5	9.0	7.5	7.1	6.6	1.2	3.8	15.5	16.9	-	6.6	(8)	1.2	
12*	21	19	23	3	17.5	21.6	22	16	40	16.0	1.5	4	8.5	17.5	10.0	7.5	10.0	6.5	7.6	5.6	1.2	3.8	15.5	17.4	-	6.6	(8)	1.2	
14*	23	21	25	3	20.5	24.6	24	18	40	16.5	1.5	4	8.5	17.5	10.0	7.5	10.0	6.5	7.6	5.6	1.2	3.8	15.5	17.4	16.5	6.6	(8)	1.2	
15	24	-	-	-	20.5	24.6	25	19	-	-	-	-	-	-	-	-	11.0	7.5	8.6	6.6	1.2	3.8	15.5	17.4	-	-	-	1.2	
16*	26	23	27	3	22.0	28.0	26	21	40	18.0	1.5	4	8.5	17.5	10.0	7.5	11.5	8.5	9.0	7.5	1.5	5.0	17.5	19.5	16.5	6.6	(8)	1.5	
18*	29	27	33	3	24.0	30.0	31	23	45	19.5	2.0	5	9.0	19.5	11.5	8.5	12.5	9.0	10.0	8.0	1.5	5.0	18.5	20.5	18.0	7.5	(8)	1.5	
20*	31	29	35	3	29.5	35.0	34	26	45	22.0	2.0	5	9.0	19.5	11.5	8.5	12.5	8.5	9.5	7.5	1.5	5.0	20.0	22.0	19.0	7.5	(8)	1.5	
22*	33	31	37	3	29.5	35.0	36	28	45	21.5	2.0	5	9.0	19.5	11.5	8.5	12.5	8.5	9.5	7.5	1.5	5.0	21.5	23.5	20.5	7.5	(8)	1.5	
24*	35	33	39	3	32.0	38.0	38	30	50	23.5	2.0	5	9.0	19.5	11.5	8.5	12.5	8.5	9.5	7.5	1.5	5.0	23.0	25.0	22.0	7.5	(8)	1.5	
25*	36	34	40	3	32.0	38.0	39	31	50	26.5	2.0	5	9.0	19.5	11.5	8.5	12.5	8.5	9.5	7.5	1.5	5.0	24.5	26.5	23.5	7.5	(8)	1.5	
26	37	-	-	-	34.0	40.0	40	32	-	-	-	-	9.0	-	-	-	13.0	9.0	10.0	8.0	1.5	5.0	24.5	26.5	23.5	-	-	1.5	
28*	40	37	43	3	36.0	42.0	42	35	50	26.5	2.0	5	9.0	19.5	11.5	8.5	14.0	10.0	11.0	9.0	1.5	5.0	24.5	26.5	24.5	7.5	(8)	1.5	
30*	43	39	45	3	39.2	45.0	44	37	50	26.5	2.0	5	9.0	19.5	11.5	8.5	14.0	11.5	11.0	10.5	1.5	5.0	24.5	25.0	24.5	7.5	(8)	1.5	
32*	46	42	48	3	42.2	48.0	46	39	55	28.5	2.0	5	9.0	19.5	11.5	8.5	14.0	11.5	11.0	10.5	1.5	5.0	28.0	28.5	28.0	7.5	(8)	1.5	
33*	47	42	48	3	-	-	47	40	55	28.5	2.0	5	9.0	19.5	11.5	8.5	-	12.0	-	-	-	-	-	-	-	-	7.5	(8)	1.5
35*	49	44	50	3	46.2	52.0	49	43	55	28.5	2.0	5	9.0	19.5	11.5	8.5	14.5	12.0	11.5	11.0	1.5	5.0	28.0	28.5	28.0	7.5	(8)	1.5	
38*	53	49	56	4	49.2	55.0	54	45	55	33.5	2.0	6	9.0	22.0	14.0	10.0	14.5	11.3	11.5	10.3	1.5	5.0	31.0	32.2	31.0	9.0	7.5	1.5	
40*	56	51	58	4	52.2	58.0	56	49	55	36.0	2.0	6	9.0	22.0	14.0	10.0	14.5	11.8	11.5	10.8	1.5	5.0	34.0	34.7	34.0	9.0	(8)	1.5	
42	59	-	-	-	53.3	62.0	58	52	-	-	-	-	9.0	-	-	-	17.0	13.2	14.3	12.0	2.0	6.0	35.0	37.3	35.0	-	-	2.5	
43*	59	54	61	4	-	-	59	52	60	38.5	2.0	6	9.0	22.0	14.0	10.0	-	13.2	-	-	2.0	-	-	-	-	-	9.0	7.5	2.5
45*	61	56	63	4	55.3	64.0	61	55	60	39.5	2.0	6	9.0	22.0	14.0	10.0	17.0	12.8	14.3	11.6	2.0	6.0	36.5	39.2	36.5	9.0	(8)	2.5	
48*	64	59	66	4	59.7	68.4	64	58	60	46.0	2.0	6	9.0	22.0	14.0	10.0	17.0	12.8	14.3	11.6	2.0	6.0	42.0	44.7	42.0	9.0	(8)	2.5	
50*	66	62	70	4	60.8	69.3	66	61	60	45.0	2.5	6	9.0	23.0	15.0	10.5	17.0	12.8	14.3	11.6	2.0	6.0	43.0	45.7	43.0	9.5	(8)	2.5	
53*	69	65	73	4	-	-	69	64	70	47.0	2.5	6	9.0	23.0	15.0	12.0	-	13.5	-	-	-	-	-	-	-	-	11.0	8.0	2.5
55*	71	67	75	4	66.5	75.4	71	66	70	49.0	2.5	6	9.0	23.0	15.0	12.0	18.0	14.5	15.3	13.3	2.0	6.0	47.0	49.0	47.0	11.0	(8)	2.5	
58*	76	70	78	4	69.5	78.4	78	69	70	55.0	2.5	6	9.0	23.0	15.0	12.0	18.0	14.5	15.3	13.3	2.0	6.0	50.0	52.0	50.0	11.0	(8)	2.5	
60*	78	72	80	4	71.5	80.4	79	71	70	55.0	2.5	6	9.0	23.0	15.0	12.0	18.0	14.5	15.3	13.3	2.0	6.0	51.0	55.0	51.0	11.0	(8)	2.5	
63*	83	75	83	4	-	-	83	74	70	55.0	2.5	6	9.0	23.0	15.0	12.0	-	14.2	-	-	-	-	-	-	-	-	11.0	(8)	2.5
65*	84	77	85	4	76.5	85.4	85	77	80	55.0	2.5	6	9.0	23.0	15.0	12.0	18.0	14.2	15.3	13.0	2.0	6.0	52.0	54.3	52.0	11.0	(8)	2.5	
68*	88	81	90	4	82.7	91.5	88	80	80	55.0	2.5	7	9.0	26.0	18.0	12.5	19.0	14.9	16.0	13.7	2.0	6.0	53.0	55.3	52.7	11.3	(8)	2.5	
70*	90	83	92	4	83.0	92.0	90	83	80	57.0	2.5	7	9.0	26.0	18.0	12.5	18.0	14.2	15.3	13.0	2.0	6.0	54.0	56.3	54.0	11.3	(10)	2.5	
75*	98	88	97	4	90.2	99.0	98	88	80	62.0	2.5	7	9.0	26.0	18.0	12.5	18.0	15.2	15.3	14.0	2.0	6.0	55.0	56.3	54.0	11.3	(10)	2.5	
80*	100	95	105	4	95.2	104.0	103	93	90	61.8	3.0	7	9.0	26.2	18.2	13.0	19.0	16.2	16.3	15.0	2.0	6.0	58.0	59.3	58.0	12.0	10.0	2.5	

HRN



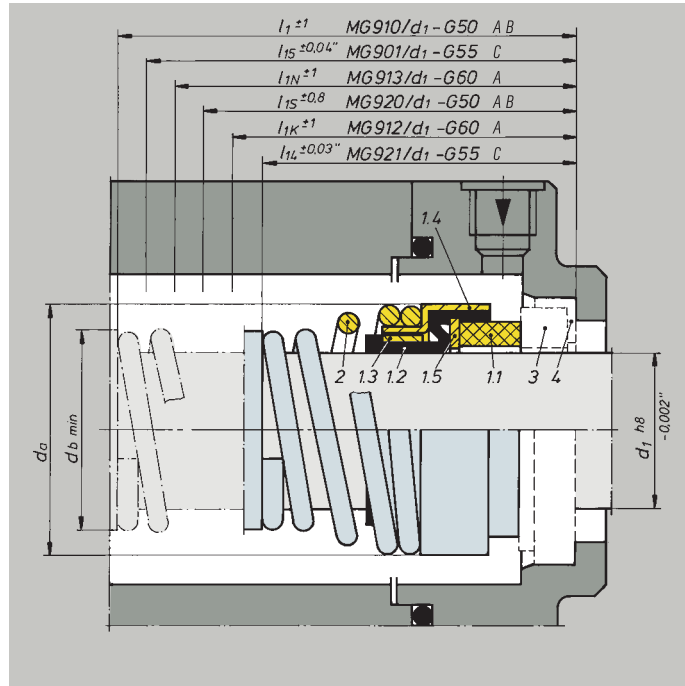
	d_1	d_3	d_6	d_7	d_8	d_{10}	l_{1k}	l_3	l_5	l_6	f	m_x		d_1	d_3	d_6	d_7	d_8	d_{10}	l_{1k}	l_3	l_5	l_6	f	m_x
18	33	27	33	3	34.7	37.5	19.5	2.0	5	3.0	4		50	70	62	70	4	71.7	47.5	25.0	2.5	6	4.0	6	
20	35	29	35	3	36.7	37.5	19.5	2.0	5	3.0	4		53	73	65	73	4	74.7	47.5	25.0	2.5	6	4.0	6	
22	37	31	37	3	38.7	37.5	19.5	2.0	5	3.0	4		55	75	67	75	4	76.7	47.5	25.0	2.5	6	4.0	6	
24	39	33	39	3	40.7	40.0	20.5	2.0	5	3.5	5		58	78	70	78	4	80.5	52.5	28.0	2.5	6	4.0	6	
25	40	34	40	3	41.7	40.0	20.5	2.0	5	3.5	5		60	80	72	80	4	82.5	52.5	28.0	2.5	6	4.0	6	
28	43	37	43	3	44.7	42.5	21.5	2.0	5	3.5	5		63	83	75	83	4	85.5	52.5	28.0	2.5	6	4.0	6	
30	45	39	45	3	46.7	42.5	21.5	2.0	5	3.5	5		65	85	77	85	4	87.5	52.5	28.0	2.5	6	4.0	6	
32	48	42	48	3	49.7	42.5	21.5	2.0	5	3.5	5		68	90	81	90	4	92.5	52.5	28.0	2.5	7	4.0	6	
33	48	42	48	3	49.7	42.5	21.5	2.0	5	3.5	5		70	92	83	92	4	94.5	60.0	34.0	2.5	7	6.0	8	
35	50	44	50	3	51.7	42.5	21.5	2.0	5	3.5	5		75	97	88	97	4	100.5	60.0	34.0	2.5	7	6.0	8	
38	56	49	56	4	57.7	45.0	24.0	2.0	6	4.0	6		80	105	95	105	4	108.5	60.0	34.0	3.0	7	6.0	8	
40	58	51	58	4	59.7	45.0	24.0	2.0	6	4.0	6		85	110	100	110	4	113.5	60.0	34.0	3.0	7	6.0	8	
43	61	54	61	4	62.7	45.0	24.0	2.0	6	4.0	6		90	115	105	115	4	118.5	65.0	39.0	3.0	7	10.0	8	
45	63	56	63	4	64.7	45.0	24.0	2.0	6	4.0	6		95	120	110	120	4	123.5	65.0	39.0	3.0	7	10.0	8	
48	66	59	66	4	67.7	45.0	24.0	2.0	6	4.0	6		100	125	115	125	4	128.5	65.0	39.0	3.0	7	10.0	8	

MG9



A	d_1	d_6	d_7	d_{14}	d_{16}	d_a	d_b	l_1	l_{1K}	l_{1N}	l_{1S}	l_5	l_6	l_{17}	l_{28}	l_{29}
10	17	21	11.0	24.60	19.6	13.0	53.0	32.5	40	34.0	1.5	4	7.5	6.6	9.0	
12	19	23	13.5	27.80	21.6	15.0	53.0	32.5	40	34.0	1.5	4	7.5	6.6	9.0	
14	21	25	17.0	30.95	24.0	18.0	54.5	35.0	40	35.5	1.5	4	9.0	6.6	10.5	
15	-	-	17.0	30.95	25.0	19.0	54.5	-	-	35.5	-	-	9.0	-	10.5	
16	23	27	17.0	30.95	26.5	20.0	54.5	35.0	40	35.5	1.5	4	9.0	6.6	10.5	
18	27	33	20.0	34.15	29.0	22.0	54.5	37.5	45	35.5	2.0	5	9.0	7.5	10.5	
20	29	35	21.5	35.70	31.5	24.5	54.5	37.5	45	35.5	2.0	5	9.0	7.5	10.5	
22	31	37	23.0	37.30	33.0	27.0	54.5	37.5	45	35.5	2.0	5	9.0	7.5	10.5	
24	33	39	26.5	40.50	37.0	29.0	54.5	40.0	50	35.5	2.0	5	9.0	7.5	10.5	
25	34	40	26.5	40.50	38.0	30.0	54.5	40.0	50	35.5	2.0	5	9.0	7.5	10.5	
28	37	43	29.5	47.65	41.0	34.0	72.0	42.5	50	45.0	2.0	5	10.5	7.5	12.0	
30	39	45	32.5	50.80	43.0	36.0	72.0	42.5	50	45.0	2.0	5	10.5	7.5	12.0	
32	42	48	32.5	50.80	45.0	38.0	72.0	42.5	55	45.0	2.0	5	10.5	7.5	12.0	
33	42	48	36.5	54.00	46.0	39.0	72.0	42.5	55	45.0	2.0	5	10.5	7.5	12.0	
35	44	50	36.5	54.00	48.0	41.0	72.0	42.5	55	45.0	2.0	5	10.5	7.5	12.0	
38	49	56	39.5	57.15	52.5	44.5	72.0	45.0	55	45.0	2.0	6	10.5	9.0	12.0	
40	51	58	42.5	60.35	55.5	47.5	72.0	45.0	55	45.0	2.0	6	10.5	9.0	12.0	
43	54	61	46.0	63.50	58.5	50.5	83.0	45.0	60	53.0	2.0	6	10.5	9.0	12.0	
45	56	63	46.0	63.50	60.5	52.5	83.0	45.0	60	53.0	2.0	6	10.5	9.0	12.0	
48	59	66	49.0	66.70	64.0	56.0	83.0	45.0	60	53.0	2.0	6	10.5	9.0	12.0	
50	62	70	52.0	69.85	66.0	58.0	84.5	47.5	60	54.5	2.5	6	12.0	9.5	13.5	
53	65	73	55.5	73.05	69.0	61.0	84.5	47.5	70	54.5	2.5	6	12.0	11.0	13.5	
55	67	75	58.5	76.20	71.0	63.0	84.5	47.5	70	54.5	2.5	6	12.0	11.0	13.5	
58	70	78	61.5	79.40	76.0	66.0	84.5	52.5	70	54.5	2.5	6	12.0	11.0	13.5	
60	72	80	61.5	79.40	78.0	68.0	84.5	52.5	70	54.5	2.5	6	12.0	11.0	13.5	
63	75	83	-	-	82.0	71.5	-	52.5	70	-	2.5	6	-	11.0	-	
65	77	85	68.0	92.10	84.0	73.5	86.0	52.5	80	65.0	2.5	6	14.5	11.0	16.0	
68	81	90	71.0	95.25	87.0	76.5	86.0	52.5	80	65.0	2.5	7	14.5	11.3	16.0	
70	83	92	71.0	95.25	89.0	79.0	86.0	60.0	80	65.0	2.5	7	14.5	11.3	16.0	
75	88	97	77.5	101.60	95.0	85.0	89.0	60.0	80	68.0	2.5	7	14.5	11.3	16.0	
80	95	105	84.0	114.30	101.5	91.5	99.0	60.0	90	76.0	3.0	7	18.5	12.0	20.0	
85	100	110	87.0	117.50	-	-	99.0	60.0	90	76.0	3.0	7	18.5	14.0	20.0	
90	105	115	93.5	123.85	111.5	103.0	103.0	65.0	90	79.0	3.0	7	18.5	14.0	20.0	
95	110	120	96.5	127.00	-	-	103.0	65.0	90	79.0	3.0	7	18.5	14.0	20.0	
100	115	125	103.0	133.35	122.5	114.0	106.0	65.0	90	82.0	3.0	7	18.5	14.0	20.0	

MG9



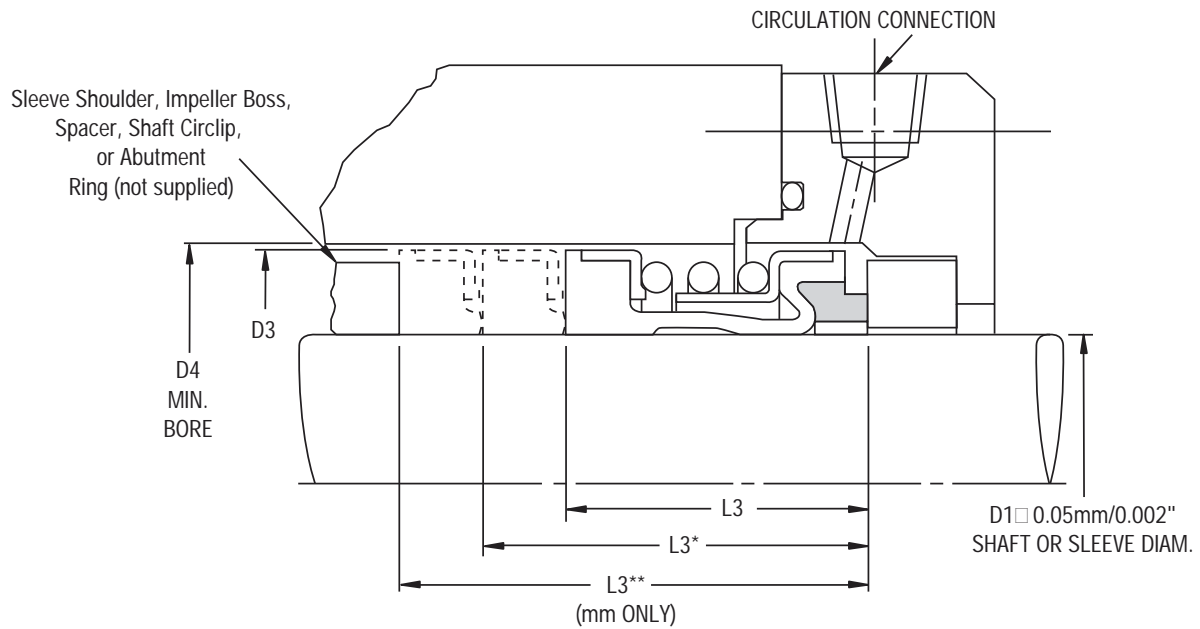
B Dimensions in inches / mm

d ₁	d ₁	d ₁₄	d ₁₆	d _a	d _b	l ₁	l _{1S}	l ₁₇	l ₂₉
0.375"	9.53	11.0	24.60	18.8	12.5	53.0	34.0	7.5	9.0
0.500"	12.70	13.5	27.80	22.3	16.0	53.0	34.0	7.5	9.0
0.625"	15.88	17.0	30.95	26.5	20.0	54.5	35.5	9.0	10.5
0.750"	19.05	20.0	34.15	29.5	23.0	54.5	35.5	9.0	10.5
0.875"	22.23	23.0	37.30	33.0	27.0	54.5	35.5	9.0	10.5
1.000"	25.40	26.5	40.50	38.0	30.5	54.5	35.5	9.0	10.5
1.125"	28.58	29.5	47.65	41.5	34.5	72.0	45.0	10.5	12.0
1.250"	31.75	32.5	50.80	45.0	38.0	72.0	45.0	10.5	12.0
1.375"	34.93	36.5	54.00	48.0	41.0	72.0	45.0	10.5	12.0
1.500"	38.10	39.5	57.15	52.5	44.5	72.0	45.0	10.5	12.0
1.625"	41.28	42.5	60.35	57.0	48.5	72.0	45.0	10.5	12.0
1.750"	44.45	46.0	63.50	60.5	51.5	83.0	53.0	10.5	12.0
1.875"	47.63	49.0	66.70	64.0	55.0	83.0	53.0	10.5	12.0
2.000"	50.80	52.0	69.85	66.0	58.0	84.5	54.5	12.0	13.5
2.125"	53.98	55.5	73.05	71.0	61.5	84.5	54.5	12.0	13.5
2.250"	57.15	58.5	76.20	76.5	65.0	84.5	54.5	12.0	13.5
2.375"	60.33	61.5	79.40	78.5	68.5	84.5	54.5	12.0	13.5
2.500"	63.50	65.0	82.55	82.0	72.0	84.5	54.5	12.0	13.5
2.625"	66.68	68.0	82.10	84.0	75.0	86.0	65.0	14.5	16.0
2.750"	69.85	71.0	95.25	89.0	79.0	86.0	65.0	14.5	16.0
2.875"	73.03	74.5	98.45	92.5	82.0	89.0	68.0	14.5	16.0
3.000"	76.20	77.5	101.60	95.5	85.5	89.0	68.0	14.5	16.0
3.125"	79.38	80.5	111.15	101.5	91.0	99.0	76.0	18.5	20.0
3.250"	82.55	84.0	114.30	-	-	99.0	76.0	18.5	20.0
3.375"	85.73	87.0	117.50	-	-	99.0	76.0	18.5	20.0
3.500"	88.90	90.5	120.65	111.5	100.0	99.0	76.0	18.5	20.0
3.625"	92.08	93.5	123.85	-	-	103.0	79.0	18.5	20.0
3.750"	95.25	96.5	127.00	118.0	108.0	103.0	79.0	18.5	20.0
3.875"	98.43	100.0	130.20	-	-	106.0	82.0	18.5	20.0
4.000"	101.60	103.0	133.35	125.0	116.0	106.0	82.0	18.5	20.0

C Dimensions in inches

d ₁	d ₆₁	d ₇₁	d _a	d _b	l ₁₄	l ₁₅	l ₄₁	l ₅₁	l ₆₁
0.375	0.625	0.875	0.740	0.492	1.125	1.500	0.313	0.050	0.250
0.500	0.750	1.000	0.878	0.630	1.125	1.500	0.313	0.050	0.250
0.625	0.937	1.250	1.043	0.787	1.281	1.718	0.406	0.050	0.344
0.750	1.062	1.375	1.161	0.905	1.281	1.718	0.406	0.050	0.344
0.875	1.187	1.500	1.299	1.063	1.343	1.781	0.406	0.050	0.344
1.000	1.312	1.625	1.496	1.200	1.437	2.000	0.437	0.050	0.375
1.125	1.437	1.750	1.634	1.358	1.500	2.062	0.437	0.050	0.375
1.250	1.563	1.875	1.772	1.496	1.500	2.062	0.437	0.050	0.375
1.375	1.687	2.000	1.890	1.614	1.562	2.124	0.437	0.050	0.375
1.500	1.813	2.125	2.067	1.752	1.562	2.124	0.437	0.050	0.375
1.625	2.000	2.375	2.244	1.909	1.875	2.500	0.500	0.050	0.437
1.750	2.125	2.500	2.382	2.028	1.875	2.500	0.500	0.050	0.437
1.875	2.250	2.625	2.520	2.165	2.000	2.625	0.500	0.050	0.437
2.000	2.375	2.750	2.598	2.283	2.000	2.625	0.500	0.050	0.437
2.125	2.375	3.000	2.795	2.421	2.249	2.937	0.562	0.050	0.500
2.250	2.437	3.125	2.992	2.559	2.249	2.937	0.562	0.050	0.500
2.375	2.563	3.250	3.071	2.697	2.375	3.062	0.562	0.050	0.500
2.500	2.687	3.375	3.228	2.834	2.375	3.062	0.562	0.050	0.500
2.625	2.812	3.375	3.307	2.953	2.562	3.375	0.625	0.100	0.562
2.750	2.937	3.500	3.504	3.110	2.562	3.375	0.625	0.100	0.562
2.875	3.062	3.750	3.642	3.228	2.687	3.500	0.625	0.100	0.562
3.000	3.187	3.875	3.760	3.366	2.687	3.500	0.625	0.100	0.562
3.125	3.312	4.000	4.000	3.583	2.968	3.906	0.781	0.100	0.656
3.250	3.437	4.125	-	-	2.968	3.906	0.781	0.100	0.656
3.375	3.562	4.250	-	-	2.968	3.906	0.781	0.100	0.656
3.500	3.687	4.375	4.390	3.937	2.968	3.906	0.781	0.100	0.656
3.625	3.812	4.500	-	-	3.093	4.031	0.781	0.100	0.656
3.750	3.937	4.625	4.646	4.252	3.093	4.031	0.781	0.100	0.656
3.875	4.062	4.750	-	-	3.218	4.156	0.781	0.100	0.656
4.000	4.187	4.875	4.921	4.567	3.218	4.156	0.781	0.100	0.656

TYPE 2100



Type 2100 Dimensional Data (inches)

Seal Size/D1 (inches)	D3	D4	L3	L3*
0.375	0.787	0.866	0.591	-
0.500	0.945	1.024	0.591	0.812
0.625	1.024	1.102	0.591	0.875
0.750	1.260	1.339	0.787	0.875
0.875	1.417	1.496	0.787	0.937
1.000	1.535	1.614	0.787	1.000
1.125	1.654	1.732	1.024	1.062
1.250	1.811	1.890	1.024	1.062
1.375	1.929	2.008	1.024	1.125
1.500	2.126	2.283	1.181	1.187
1.625	2.205	2.362	1.181	1.375
1.750	2.402	2.559	1.181	1.375
1.875	2.520	2.677	1.181	1.500
2.000	2.598	2.756	1.181	1.500
2.125	2.717	2.874	1.181	1.687
2.250	3.031	3.189	1.299	1.687
2.375	3.150	3.346	1.299	1.812
2.500	3.268	3.465	1.299	1.812
2.625	3.465	3.661	1.299	-
2.750	3.504	3.740	1.299	-
2.875	3.780	3.976	1.299	-
3.000	3.898	4.094	1.575	-

TYPE 2100

Type 2100 Dimensional Data (mm)

Seal Size/D1 (mm)	Seal Size Code	D3	D4	L3	L3*	L3**
10	0100	20	22	15	27.5	35.0
12	0120	22	24	15	26.5	34.0
14	0140	24	26	15	29.0	34.0
15	0150	25	27	15	29.0	34.0
16	0160	26	28	15	29.0	34.0
18	0180	32	34	20	31.5	39.0
20	0200	34	36	20	31.5	39.0
22	0220	36	38	20	31.5	39.0
24	0240	38	40	20	34.0	44.0
25	0250	39	41	20	34.0	44.0
28	0280	42	44	26	36.5	44.0
30	0300	44	46	26	35.5	43.0
32	0320	46	48	26	35.5	48.0
33	0330	47	49	26	35.5	48.0
35	0350	49	51	26	34.5	47.0
38	0380	54	58	30	37.0	47.0
40	0400	56	60	30	37.0	47.0
43	0430	59	63	30	37.0	52.0
45	0450	61	65	30	37.0	52.0
48	0480	64	68	30	35.0	50.0
50	0500	66	70	30	37.5	50.0
53	0530	69	73	30	37.5	60.0
55	0550	71	75	30	37.5	60.0
58	0580	78	83	33	42.5	60.0
60	0600	80	85	33	40.5	58.0
63	0630	83	88	33	40.5	58.0
65	0650	85	90	33	40.5	68.0
68	0680	88	93	33	40.5	68.0
70	0700	90	95	33	48.0	68.0
75	0750	99	104	40	48.0	68.0

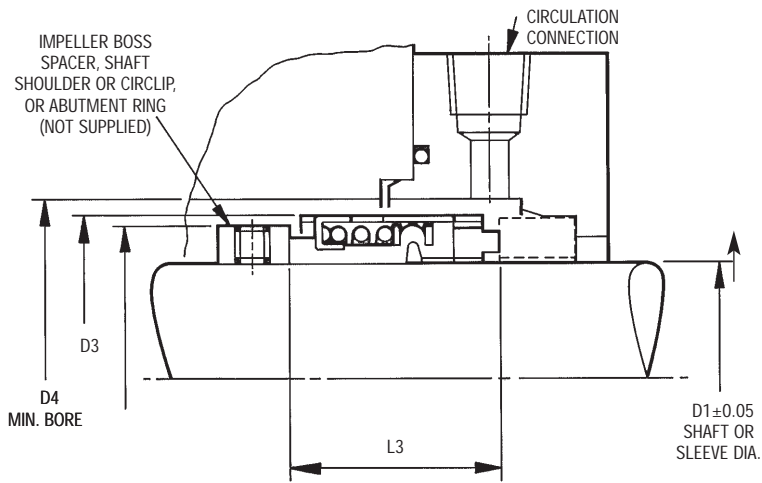
L3 = Standard seal working length.

L3* = Working length for seals to DIN L1K (seat not included).

L3** = Working length for seals to DIN L1N (seat not included).

TYPE-502

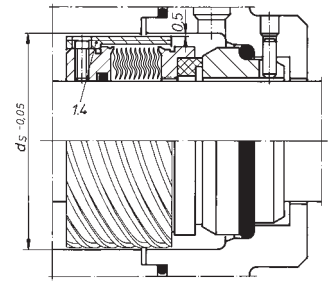
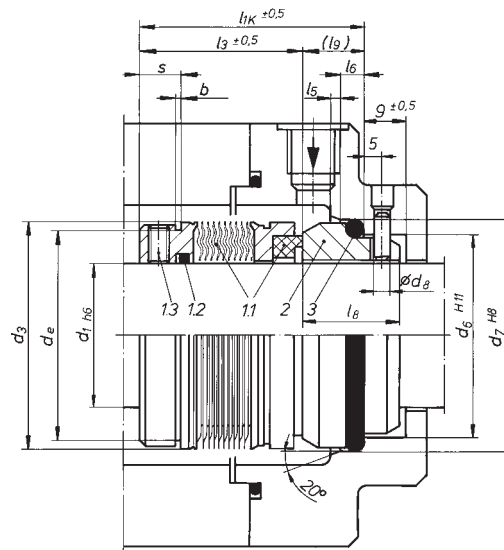
Type 502 Typical Arrangement/Dimensional Data (mm)



Type 502 Dimensional Data (mm)

Seal Size (mm)	Seal Size Code	D1	D3	D4	D20		L3	Seal Size (mm)	Seal Size Code	D1	D3	D4	D20		L3
					Min.	Max.							Min.	Max.	
14	0140	14	24	26	16.0	22.5	23.0	48	0480	48	64	68	50.0	61.0	32.0
16	0160	16	26	28	18.0	24.5	23.0	50	0500	50	66	70	52.0	63.2	34.0
18	0180	18	32	34	20.0	29.0	24.0	53	0530	53	69	73	55.0	66.2	34.0
20	0200	20	34	36	22.0	31.0	24.0	55	0550	55	71	75	57.0	68.2	34.0
22	0220	22	36	38	24.0	33.0	24.0	58	0580	58	78	83	60.0	74.0	39.0
24	0240	24	38	40	26.0	35.2	26.7	60	0600	60	80	85	62.0	76.0	39.0
25	0250	25	39	41	27.0	36.3	27.0	63	0630	63	83	88	65.0	79.0	39.0
28	0280	28	42	44	30.0	39.5	30.0	65	0650	65	85	90	67.0	81.0	39.0
30	0300	30	44	46	32.0	41.5	30.5	68	0680	68	88	93	70.0	84.0	39.0
32	0320	32	46	48	34.0	43.5	30.5	70	0700	70	89	95	†	†	45.5
33	0330	33	47	49	35.0	44.5	30.5	75	0750	75	96	104	†	†	45.5
35	0350	35	49	51	37.0	46.5	30.5	80	0800	80	104	109	†	†	45.0
38	0380	38	54	58	40.0	51.0	32.0	85	0850	85	108	114	†	†	45.0
40	0400	40	56	60	42.0	53.0	32.0	90	0900	90	114	119	†	†	50.0
43	0430	43	59	63	45.0	56.0	32.0	95	0950	95	118	124	†	†	50.0
45	0450	45	61	65	47.0	58.0	32.0	100	1000	100	124	129	†	†	50.0

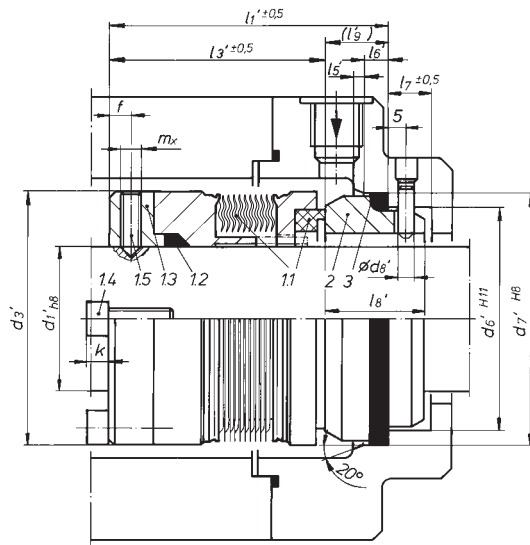
MFL 85 N



MFL 85 F

MFL 85 N/MFL 85 F																
d ₁	d ₃	d ₆	d ₇	d ₈	d _e	d _s	l _{1K}	l ₃	l ₅	l ₆	l ₈	l ₉	l ₁₈	l ₁₉	b	s
16	30.0	23	27	3	25.0	38	42.5 ¹⁾	32.5	1.5	4	17.5	10.0	-	-	1.6	9.0
18	32.0	27	33	3	28.0	39	37.5	30.5	2.0	5	14.0	11.5	15.0	7.0	1.6	10.0
20	33.5	29	35	3	29.5	41	37.5	30.5	2.0	5	14.0	11.5	15.0	7.0	1.6	10.0
22	36.5	31	37	3	32.0	44	37.5	30.5	2.0	5	14.0	11.5	15.0	7.0	1.6	10.0
24	39.0	33	39	3	34.5	47	40.0	28.5	2.0	5	19.5	11.5	15.0	7.0	1.6	8.2
25	39.6	34	40	3	35.5	48	40.0	28.5	2.0	5	19.5	11.5	15.0	7.0	1.6	8.5
28	42.8	37	43	3	38.5	51	42.5	31.0	2.0	5	19.5	11.5	15.0	7.0	1.6	9.0
30	45.0	39	45	3	40.5	53	42.5	31.0	2.0	5	19.5	11.5	15.0	7.0	1.6	8.5
32	46.0	42	48	3	42.0	55	42.5	31.0	2.0	5	19.5	11.5	15.0	7.0	1.6	9.2
33	48.0	42	48	3	43.0	56	42.5	31.0	2.0	5	19.5	11.5	15.0	7.0	1.6	9.2
35	49.2	44	50	3	45.5	58	42.5	31.0	2.0	5	19.5	11.5	15.0	7.0	1.6	9.5
38	52.3	49	56	4	48.0	61	45.0	31.0	2.0	6	22.0	14.0	16.0	8.0	1.6	9.2
40	55.5	51	58	4	50.0	64	45.0	31.0	2.0	6	22.0	14.0	16.0	8.0	1.6	9.2
43	57.5	54	61	4	53.0	67	45.0	31.0	2.0	6	22.0	14.0	16.0	8.0	1.6	9.2
45	58.7	56	63	4	55.0	69	45.0	31.0	2.0	6	22.0	14.0	16.0	8.0	1.6	9.5
48	61.9	59	66	4	58.0	72	45.0	31.0	2.0	6	22.0	14.0	16.0	8.0	1.6	9.2
50	65.0	62	70	4	60.5	74	47.5	32.5	2.5	6	23.0	15.0	17.0	9.5	1.6	10.5
53	68.2	65	73	4	64.0	77	47.5	32.5	2.5	6	23.0	15.0	17.0	9.5	1.6	10.5
55	70.0	67	75	4	65.5	80	47.5	32.5	2.5	6	23.0	15.0	17.0	9.5	1.6	10.0
58	71.7	70	78	4	67.0	83	52.5	37.5	2.5	6	23.0	15.0	18.0	10.5	3.0	14.0
60	74.6	72	80	4	69.5	85	52.5	37.5	2.5	6	23.0	15.0	18.0	10.5	3.0	14.0
63	79.0	75	83	4	72.5	88	52.5	37.5	2.5	6	23.0	15.0	18.0	10.5	3.0	14.0
65	84.1	77	85	4	78.0	95	52.5	37.5	2.5	6	23.0	15.0	18.0	10.5	3.0	14.0
68	87.3	81	90	4	82.0	96	52.5	34.5	2.5	7	26.0	18.0	18.5	11.0	1.6	10.0
70	87.3	83	92	4	81.0	96	60.0	42.0	2.5	7	26.0	18.0	19.0	11.5	3.0	17.0
75	95.0	88	97	4	87.0	104	60.0	42.0	2.5	7	26.0	18.0	19.0	11.5	3.0	16.0
80	98.4	95	105	4	91.0	109	60.0	41.8	3.0	7	26.2	18.2	19.0	11.5	3.0	16.0
85	104.7	100	110	4	96.0	114	60.0	41.8	3.0	7	26.2	18.2	19.0	11.5	3.0	16.0
90	111.0	105	115	4	103.0	119	65.0	46.8	3.0	7	26.2	18.2	20.5	13.0	3.0	21.0
95	114.0	110	120	4	106.0	124	65.0	47.8	3.0	7	25.2	17.2	20.5	13.0	3.0	21.0
100	117.4	115	125	4	111.0	129	65.0	47.8	3.0	7	25.2	17.2	20.5	13.0	3.0	20.0

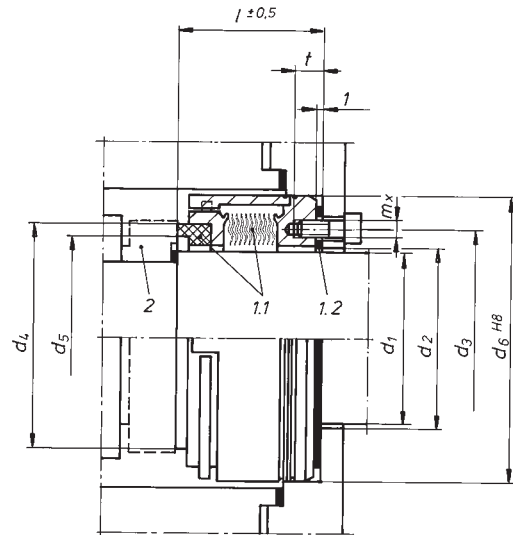
MFLWT80 / MFLCT80



MFLWT80/MFLCT80

d ₃ '	d ₃ ' ²⁾	d ₆ '	d ₇ '	d ₈ '	l ₁ '	l ₃ '	l ₅ '	l ₆ '	l ₇ '	l ₈ '	l ₉ '	f	k	m _x
38	-	29.0	35.0	3	58.0	46.5	2.0	5	9	19.5	11.5	5	5	M5
40	-	31.0	37.0	3	58.0	46.5	2.0	5	9	19.5	11.5	5	5	M5
42	-	34.0	40.0	3	58.0	46.5	2.0	5	9	19.5	11.5	5	5	M5
44	-	37.0	43.0	3	58.0	46.5	2.0	5	9	19.5	11.5	5	5	M5
46	49.8	37.0	43.0	3	58.0	46.5	2.0	5	9	19.5	11.5	5	5	M5
47	51.7	39.0	45.0	3	58.0	46.5	2.0	5	9	19.5	11.5	5	5	M5
50	54.5	42.0	48.0	3	58.0	46.5	2.0	5	9	19.5	11.5	5	5	M6
52	56.6	44.0	50.0	3	58.0	46.5	2.0	5	9	19.5	11.5	5	5	M6
54	59.5	49.0	56.0	4	60.5	46.5	2.0	6	9	22.0	14.0	5	5	M6
55	59.5	49.0	56.0	4	60.5	46.5	2.0	6	9	22.0	14.0	5	5	M6
57	62.5	51.0	58.0	4	60.5	46.5	2.0	6	9	22.0	14.0	5	5	M6
60	65.7	54.0	61.0	4	60.5	46.5	2.0	6	9	22.0	14.0	5	5	M6
66	65.7	56.0	63.0	4	61.5	47.5	2.0	6	9	22.0	14.0	5	6	M6
69	68.6	59.0	66.0	4	61.5	47.5	2.0	6	9	22.0	14.0	5	6	M6
71	71.5	62.0	70.0	4	62.5	47.5	2.5	6	9	23.0	15.0	5	6	M6
74	75.1	65.0	73.0	4	62.5	47.5	2.5	6	9	23.0	15.0	5	6	M6
76	76.1	67.0	75.0	4	62.5	47.5	2.5	6	9	23.0	15.0	5	6	M6
79	80.8	70.0	78.0	4	62.5	47.5	2.5	6	9	23.0	15.0	5	6	M6
81	80.8	72.0	80.0	4	62.5	47.5	2.5	6	9	23.0	15.0	5	6	M6
85	84.0	75.0	83.0	4	68.0	53.0	2.5	6	9	23.0	15.0	5	6	M6
87	92.3	77.0	85.0	4	68.0	53.0	2.5	6	9	23.0	15.0	6	6	M8
90	95.5	81.0	90.0	4	71.0	53.0	2.5	7	9	26.0	18.0	6	6	M8
92	95.5	83.0	92.0	4	71.0	53.0	2.5	7	9	26.0	18.0	6	6	M8
95	101.3	88.0	97.0	4	71.0	53.0	2.5	7	9	26.0	18.0	6	6	M8
97	101.3	88.0	97.0	4	71.0	53.0	2.5	7	9	26.0	18.0	6	6	M8
102	105.0	95.0	105.0	4	71.0	52.8	3.0	7	9	26.2	18.2	6	6	M8
107	110.6	100.0	110.0	4	71.0	52.8	3.0	7	9	26.2	18.2	6	6	M8
112	117.0	105.0	115.0	4	71.0	52.8	3.0	7	9	26.2	18.2	6	6	M8
117	120.2	110.0	120.0	4	71.0	53.8	3.0	7	9	25.2	17.2	6	6	M8
122	125.2	115.0	125.0	4	71.0	53.8	3.0	7	9	25.2	17.2	6	6	M8
127	130.2	122.2	134.3	5	74.0	54.0	3.0	9	11	30.0	20.0	6	6	M8

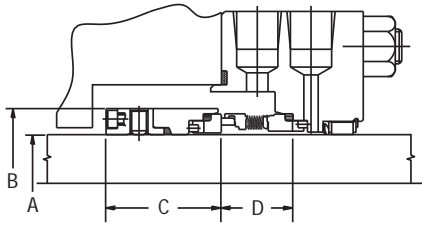
MFL 65



Nenn-∅	d ₁	d ₂	d ₃	d ₄	d ₅	d ₆	l	n x m _x	t
19	16-19	20.5	29	30.3	25.3	45.0	33.5	4xM4	6
24	20-24	25.5	35	38.8	33.8	49.0	33.5	4xM4	6
30	25-30	31.5	40	43.6	38.6	55.0	34.5	6xM4	6
35	31-35	36.0	45	45.8	40.8	59.0	33.0	6xM4	6
40	36-40	41.0	50	51.5	46.5	65.0	30.5	6xM4	6
45	41-45	46.0	55	55.2	50.2	69.0	35.5	6xM4	6
51	46-51	52.0	63	64.7	59.7	76.5	40.5	6xM5	7
60	52-60	61.0	70	70.6	65.6	84.0	32.0	6xM5	7
70	61-70	71.0	80	82.8	76.8	95.0	38.0	6xM5	7
82	71-82	83.5	95	98.0	92.0	112.0	41.0	6xM6	7
88	83-88	89.5	100	107.7	101.7	120.0	47.0	6xM6	7
100	89-100	101.0	112	112.7	106.7	130.0	47.0	6xM6	7

TYPE 604/606

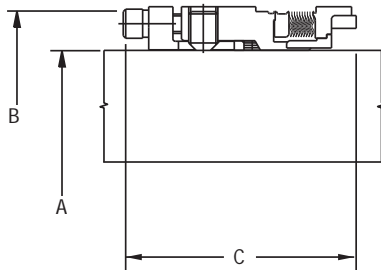
Typical 604 Dimensional Data



Seal Dash Number (size code)	Inch				mm			
	A +.000 -.002	B Ref.	C Ref.	D Ref.	A +.000 -.05	B Ref.	C Ref.	D Ref.
-18	1.000	1.937	1.969	1.138	25.40	49.20	50.01	28.91
-20	1.125	2.062	1.969	1.138	28.58	52.37	50.01	28.91
-22	1.250	2.187	1.969	1.138	31.75	55.55	50.01	28.91
-24	1.375	2.312	1.938	1.138	34.93	58.72	49.23	28.91
-26	1.500	2.562	2.063	1.191	38.10	65.07	52.40	30.25
-28	1.625	2.562	2.060	1.222	41.28	65.07	52.32	31.04
-30	1.750	2.687	2.060	1.254	44.45	68.25	52.32	31.85
-32	1.875	2.812	2.062	1.254	47.63	71.42	52.37	31.85
-34	2.000	2.937	2.060	1.285	50.80	74.60	52.32	32.64
-36	2.125	3.187	2.182	1.316	53.98	80.95	55.42	33.43
-38	2.250	3.312	2.218	1.348	57.15	84.12	56.34	34.24
-40	2.375	3.437	2.186	1.379	60.33	87.30	55.52	35.03
-42	2.500	3.562	2.184	1.410	63.50	90.47	55.47	35.81
-44	2.625	3.687	2.250	1.443	66.68	93.65	57.15	36.65
-46	2.750	3.937	2.250	1.608	69.85	100.00	57.15	40.84
-48	2.875	4.062	2.281	1.608	73.03	103.17	57.94	40.84
-50	3.000	4.187	2.250	1.608	76.20	106.35	57.15	40.84
-52	3.125	4.312	2.250	1.608	79.38	109.52	57.15	40.84
-54	3.250	4.437	2.219	1.608	82.55	112.70	56.36	40.84
-56	3.375	4.562	2.282	1.608	85.73	115.87	57.96	40.84
-58	3.500	4.687	2.373	1.650	88.90	119.05	60.27	41.91
-60	3.625	4.812	2.375	1.650	92.08	122.22	60.33	41.91
-62	3.750	4.937	2.375	1.650	95.25	125.40	60.33	41.91
-64	3.875	5.062	2.375	1.650	98.43	128.57	60.33	41.91

Note: "A" is the maximum shaft or sleeve diameter in arrangements excluding a steam guide sleeve.

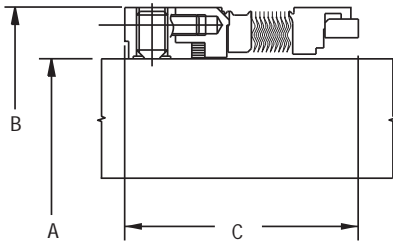
Typical 606 Dimensional Data



Seal Dash Number (size code)	Inch			mm		
	A +.000 -.002	B Ref.	C Ref.	A +.000 -.05	B Ref.	C Ref.
-16	.750	1.625	2.312	19.05	41.28	58.72
-18	.875	1.750	2.343	22.23	44.45	59.51
-20	1.000	1.875	2.343	25.40	47.63	59.51
-22	1.125	2.000	2.375	28.58	50.80	60.33
-24	1.250	2.125	2.375	31.75	53.98	60.33
-26	1.375	2.250	2.468	34.93	57.15	62.69
-28	1.500	2.375	2.500	38.10	60.33	63.50
-30	1.625	2.500	2.500	41.28	63.50	63.50
-32	1.750	2.625	2.531	44.45	66.68	64.29
-34	1.875	2.750	2.531	47.63	69.85	64.29
-36	2.000	2.875	2.562	50.80	73.03	65.07
-38	2.125	3.000	2.562	53.98	76.20	65.07
-40	2.250	3.250	2.750	57.15	82.55	69.85
-42	2.375	3.375	2.781	60.33	85.73	70.64
-44	2.500	3.500	2.781	63.50	88.90	70.64
-46	2.625	3.687	2.875	66.68	93.65	73.03
-48	2.750	3.812	3.000	69.85	96.82	76.20
-50	2.875	4.000	3.000	73.03	101.60	76.20
-52	3.000	4.125	3.000	76.20	104.78	76.20
-54	3.125	4.250	3.000	79.38	107.95	76.20
-56	3.250	4.375	3.000	82.55	111.13	76.20
-58	3.375	4.500	3.000	85.73	114.30	76.20
-60	3.500	4.625	3.000	88.90	117.48	76.20
-62	3.625	4.750	3.000	92.08	120.65	76.20
-64	3.750	4.875	3.000	95.25	123.83	76.20

TYPE 609

Typical 609 Dimensional Data

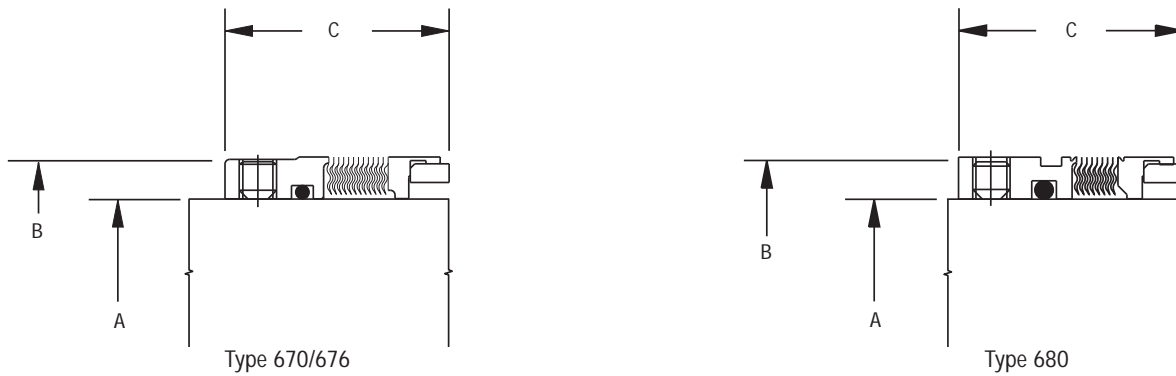


Seal Dash Number (size code)	Inch			mm		
	A +0.000 -0.002	B Ref.	C Ref.	A +0.000 -0.05	B Ref.	C Ref.
-16	1.000	1.625	1.531	25.40	41.28	38.89
-18	1.125	1.750	1.562	28.58	44.45	39.67
-20	1.250	1.875	1.593	31.75	47.63	40.46
-22	1.375	2.000	1.593	34.93	50.80	40.46
-24	1.500	2.125	1.593	38.10	53.98	40.46
-26	1.625	2.250	1.593	41.28	57.15	40.46
-28	1.750	2.375	1.625	44.45	60.33	41.28
-30	1.875	2.500	1.625	47.63	63.50	41.28
-32	2.000	2.625	1.656	50.80	66.68	42.06
-34	2.125	2.750	1.656	53.98	69.85	42.06
-36	2.250	2.875	1.719	57.15	73.03	43.66
-38	2.375	3.000	1.719	60.33	76.20	43.66
-40	2.500	3.250	1.750	63.50	82.55	44.45
-42	2.625	3.375	1.781	66.68	85.73	45.24
-44	2.750	3.500	1.781	69.85	88.90	45.24
-46	2.875	3.687	1.875	73.03	93.65	47.63
-48	3.000	3.812	1.875	76.20	96.82	47.63
-50	3.125	4.000	1.875	79.38	101.60	47.63
-52	3.250	4.125	1.875	82.55	104.78	47.63
-54	3.375	4.250	1.875	85.73	107.95	47.63
-56	3.500	4.375	1.875	88.90	111.13	47.63
-58	3.625	4.500	1.875	92.08	114.30	47.63
-60	3.750	4.625	1.875	95.25	117.48	47.63
-62	3.875	4.750	1.875	98.43	120.65	47.63
-64	4.000	4.875	1.875	101.60	123.83	47.63

TYPE 670/676/680

Low-Temperature Sealol® Metal Bellows Seals

Typical 670/676/680 Heads

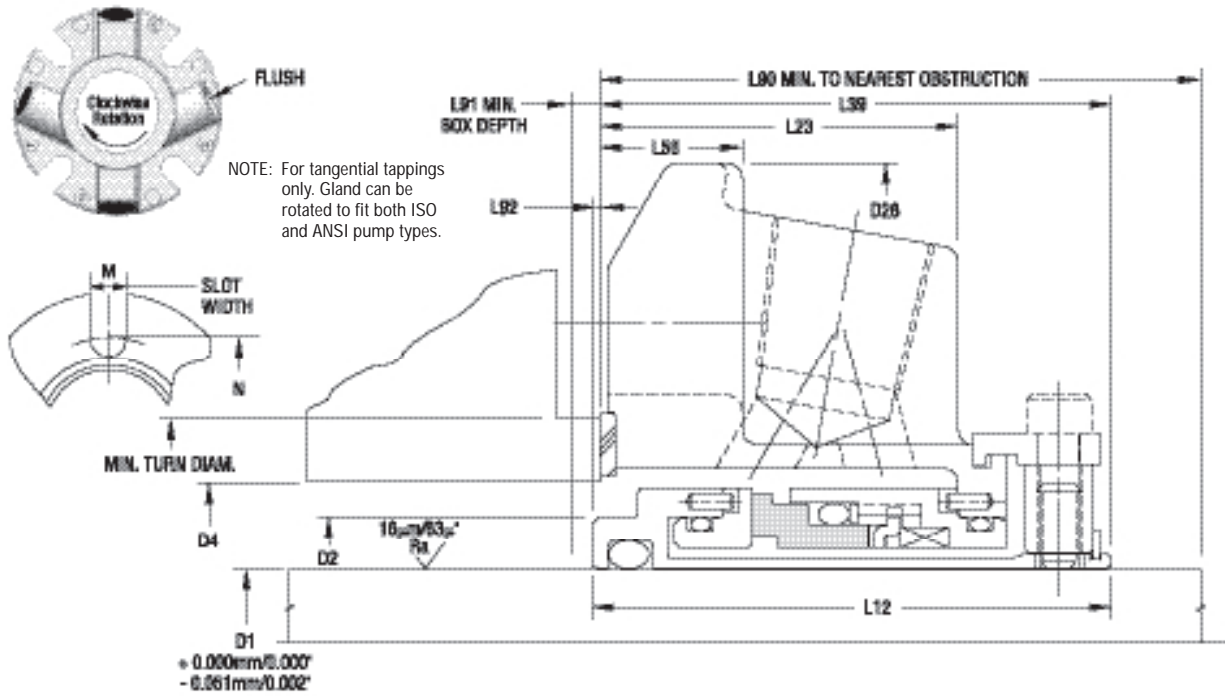


Typical 670/676/680 Dimensional Data (mm)

Seal Dash Number (size code)	A +0.00 -0.05	B Ref.	C Ref.
-018	18	32.0	27.5
-020	20	33.3	27.5
-022	22	36.0	27.5
-024	24	38.1	30.0
-025	25	39.0	30.0
-028	28	42.0	32.5
-030	30	44.0	32.5
-032	32	46.0	32.5
-033	33	47.0	32.5
-035	35	49.2	32.5
-038	38	52.4	34.0
-040	40	55.6	34.0
-043	43	58.7	34.0
-045	45	58.7	34.0
-048	48	61.9	34.0
-050	50	65.1	34.5
-053	53	68.3	34.5
-055	55	71.0	34.5
-060	60	74.6	39.5
-065	65	84.1	39.5
-070	70	87.3	45.0
-075	75	95.3	45.0
-080	80	98.4	44.5
-085	85	104.8	44.5
-090	90	108.0	49.5
-095	95	114.3	49.5
-0100*	100	120.7	49.5
-0105*	105	131.7	48.3
-0110*	110	138.1	48.3
-0115*	115	144.5	48.3
-0120*	120	144.5	48.3
-0125*	125	150.8	48.3
-0130*	130	157.8	48.3
-0140*	140	170.5	48.3
-0150*	150	176.9	48.3

*670/676 only

Type 5610 Dimensional Data



Type 5610 Dimensional Data (inches)

Seal Size/D1 (inches)	D2		D4		D26	L12	L23	L39	L56	L90	L91	L92	M	N
	Min.	Max.	Min.	Max.										
1.000	1.375	1.445	1.889	4.000	1.989	1.353	1.954	0.531	2.000	0.160	0.035	0.525	2.805	
1.125	1.500	*	2.015	4.125	2.062	1.446	2.062	0.531	2.125	0.125	*	0.525	2.933	
1.250	1.625	*	2.294	4.250	2.062	1.446	2.062	0.531	2.125	0.125	*	0.525	3.213	
1.375	1.750	*	2.421	4.375	2.062	1.446	2.062	0.531	2.125	0.125	*	0.525	3.338	
1.500	1.937	2.007	2.680	4.875	2.156	1.487	2.125	0.593	2.187	0.156	0.031	0.525	3.599	
1.625	2.062	2.132	2.812	5.000	2.156	1.487	2.125	0.593	2.187	0.156	0.031	0.562	3.766	
1.750	2.170	2.240	2.918	5.250	2.156	1.487	2.125	0.593	2.187	0.156	0.031	0.562	3.875	
1.875	2.312	2.382	2.918	5.250	2.156	1.487	2.125	0.593	2.187	0.156	0.031	0.562	3.875	
2.000	2.437	2.507	3.015	5.500	2.375	1.601	2.312	1.063	2.375	0.187	0.062	0.562	4.000	
2.125	2.562	2.632	3.360	5.859	2.375	1.601	2.312	0.593	2.375	0.187	0.062	0.687	4.469	
2.250	2.687	2.757	3.485	6.500	2.375	1.601	2.312	0.593	2.375	0.187	0.062	0.687	4.566	
2.375	2.812	2.882	3.610	6.500	2.484	1.717	2.466	0.625	2.528	0.143	0.018	0.687	4.719	
2.500	3.062	*	3.891	6.750	2.484	1.717	2.562	0.625	2.625	0.125	*	0.687	5.000	
2.625	3.312	*	4.062	6.750	2.500	1.625	2.500	0.625	2.562	0.125	*	0.687	5.170	
2.750	3.312	*	4.062	6.750	2.500	1.625	2.500	0.625	2.562	0.125	*	0.687	5.170	
2.875	3.375	*	4.186	7.000	2.500	1.725	2.500	0.625	2.562	0.125	*	0.687	5.312	
3.000	3.625	*	4.469	7.750	2.500	1.787	2.562	0.685	2.625	0.125	*	0.812	5.720	
3.125	3.750	3.853	4.600	7.875	2.562	1.593	2.562	**	2.687	0.125	*	0.812	5.845	
3.250	3.750	3.853	4.600	7.437	2.562	1.593	2.510	**	2.635	0.177	0.052	0.812	5.845	
3.375	4.000	4.125	4.850	8.125	2.562	1.593	2.562	**	2.687	0.125	*	0.812	6.095	
3.500	4.125	4.250	4.975	8.250	2.562	1.593	2.562	**	2.687	0.125	*	0.812	6.220	
3.625	4.218	4.343	5.100	8.375	2.562	1.593	2.562	**	2.687	0.125	*	0.687	6.250	
3.750	4.343	4.468	5.199	8.750	2.562	1.593	2.562	**	2.687	0.125	*	0.687	6.770	
3.875	4.468	4.593	5.375	8.750	2.562	1.593	2.562	**	2.687	0.125	*	0.812	6.636	
4.000	4.593	4.718	5.500	9.000	2.562	1.593	2.562	**	2.687	0.125	*	0.812	6.761	
4.125	4.718	4.843	5.625	9.000	2.562	1.593	2.562	**	2.687	0.125	*	0.812	6.886	
4.250	4.843	4.968	5.750	9.250	2.562	1.593	2.562	**	2.687	0.125	*	0.812	7.011	
4.500	5.093	5.218	6.000	9.500	2.562	1.593	2.562	**	2.687	0.125	*	0.812	7.261	
4.750	5.343	5.468	6.313	10.375	2.562	1.593	2.562	**	2.687	0.125	*	0.812	7.574	
5.000	5.843	5.968	7.260	12.000	2.953	1.749	3.043	**	3.168	0.125	*	0.812	10.000	
5.250	6.093	6.218	7.510	12.250	2.953	1.749	3.043	**	3.168	0.125	*	0.812	10.250	
5.500	6.343	6.468	8.000	12.687	2.953	1.749	3.043	**	3.168	0.125	*	0.937	10.500	

TYPE 5610/5610Q

Type 5610 Oversize Bore Dimensional Data (inches)

Seal Size/D1 (Inches)	D2	D4		D26	L12	L23	L39	L56	L90	L91	L92	M	N	Min. Turn Diam.
		Min.	Max.											
1.375	1.750	2.875	3.023	5.375	2.063	1.446	2.062	0.625	2.125	0.250	0.125	0.562	4.062	3.268
1.750	2.170	3.500	3.925	6.500	2.156	1.487	2.125	0.656	2.187	0.250	0.125	0.687	5.093	3.885
1.875	2.312	3.625	3.734	6.500	2.156	1.316	1.954	0.485	2.017	0.327	0.202	0.687	5.093	**
2.125	2.562	3.875	4.250	7.156	2.375	1.570	2.282	0.749	2.407	0.219	0.094	0.687	5.687	4.264
2.500	3.062	4.750	5.078	8.000	2.484	1.697	2.407	0.749	2.625	0.204	0.079	0.687	6.062	5.139
2.625	3.312	4.625	4.740	8.000	2.500	1.617	2.329	0.578	2.454	0.296	0.171	0.687	6.062	***
2.750	3.312	4.750	4.875	8.000	2.500	1.697	2.407	0.656	2.532	0.218	0.093	0.687	6.062	5.139

**Seal cartridge is OD registered on the turn diam. of 4.125".

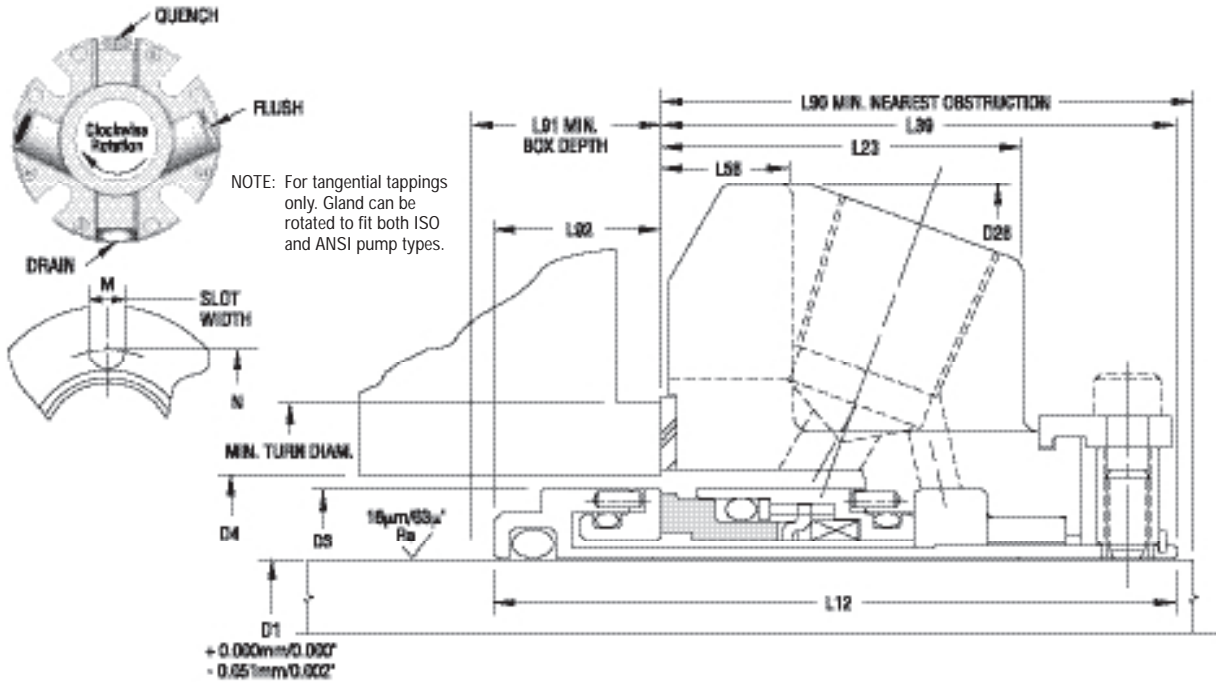
***Seal cartridge is OD registered on the turn diam. of 5.125".

Type 5610 Dimensional Data (mm)

Seal Size/D1 (mm)	Seal Size Code	D4		D26	L12	L23	L39	L56	L90	L91	L92	M	N	
		Min.	Max.											
24	0240	34.9	36.7	48.0	101.6	50.5	34.4	49.6	13.5	50.8	4.0	0.9	13.3	71.2
25	0250	34.9	36.7	48.0	101.6	50.5	34.4	49.6	13.5	50.8	4.0	0.9	13.3	71.2
28	0280	38.1	*	51.2	104.8	52.4	36.7	52.4	13.5	54.0	3.2	*	13.3	74.5
30	0300	40.0	*	56.5	108.0	52.4	36.7	52.4	13.5	54.0	3.2	*	13.3	79.9
32	0320	41.3	*	58.3	108.0	52.4	36.7	52.4	13.5	54.0	3.2	*	13.3	81.6
33	0330	44.5	*	61.5	111.1	52.4	36.7	52.4	13.5	54.0	3.2	*	13.3	84.8
35	0350	44.5	*	61.5	111.1	52.4	36.7	52.4	13.5	54.0	3.2	*	13.3	84.8
38	0380	49.2	51.0	68.1	123.8	54.8	37.8	54.0	15.1	55.5	4.0	0.8	13.3	91.4
40	0400	52.4	54.2	71.4	127.0	54.8	37.8	54.0	15.1	55.5	4.0	0.8	14.3	95.7
43	0430	55.1	56.9	74.1	133.4	54.8	37.8	54.0	15.1	55.5	4.0	0.8	14.3	98.4
45	0450	55.1	56.9	74.1	133.4	54.8	37.8	54.0	15.1	55.5	4.0	0.8	14.3	98.4
48	0480	58.7	60.5	74.1	133.4	54.8	37.8	54.0	15.1	55.5	4.0	0.8	14.3	98.4
50	0500	61.9	63.7	76.6	139.7	60.3	40.7	58.7	27.0	60.3	4.7	1.6	14.3	101.6
53	0530	65.1	66.9	85.3	148.8	60.3	40.7	58.7	15.1	60.3	4.7	1.6	17.4	113.5
55	0550	66.7	75.0	85.3	148.8	60.3	40.7	58.7	15.1	60.3	4.7	1.6	17.4	113.5
58	0580	68.2	70.0	88.5	165.1	60.3	40.7	58.7	15.1	60.3	4.7	1.6	17.4	116.0
60	0600	71.4	73.2	91.7	165.1	63.1	43.6	62.6	15.9	64.2	3.6	1.6	17.4	119.9
63	0630	77.8	*	98.8	171.5	63.1	43.6	65.1	15.9	66.7	3.2	0.5	17.4	127.0
65	0650	77.8	*	98.8	171.5	63.1	43.6	65.1	15.9	66.7	3.2	*	17.4	127.0
68	0680	84.1	*	103.2	171.5	63.5	41.3	63.5	15.9	65.1	3.2	*	17.4	131.3
70	0700	84.1	*	103.2	171.5	63.5	41.3	63.5	15.9	65.1	3.2	*	17.4	131.3
75	0750	92.1	*	113.5	196.9	63.5	45.4	65.1	17.4	66.7	3.2	*	20.6	145.3
80	0800	95.3	97.9	116.8	188.9	65.1	40.5	63.8	**	66.9	4.5	1.3	20.6	148.4
85	0850	101.6	104.8	123.2	206.4	65.1	40.5	65.1	**	68.3	3.2	*	20.6	154.8
90	0900	107.1	110.3	129.5	212.7	65.1	40.5	65.1	**	68.3	3.2	*	17.4	158.8
95	0950	110.3	113.5	132.1	222.3	65.1	40.5	65.1	**	68.3	3.2	*	17.4	172.0
100	1000	116.7	119.8	139.7	228.6	65.1	40.5	65.1	**	68.3	3.2	*	20.6	171.7
105	1050	119.8	123.0	142.9	228.6	65.1	40.5	65.1	**	68.3	3.2	*	20.6	174.9
110	1100	129.4	132.5	152.4	241.3	65.1	40.5	65.1	**	68.3	3.2	*	20.6	184.4
115	1150	129.4	132.5	152.4	241.3	65.1	40.5	65.1	**	68.3	3.2	*	20.6	184.4
120	1200	135.7	138.9	160.4	263.5	65.1	40.5	65.1	**	68.3	3.2	*	20.6	192.4
125	1250	148.4	151.6	184.4	304.8	75.0	44.4	77.3	**	80.5	3.2	*	20.6	254.0
130	1300	154.8	157.9	190.8	311.2	75.0	44.4	77.3	**	80.5	3.2	*	20.6	260.4
135	1350	161.1	164.3	203.2	322.3	75.0	44.4	77.3	**	80.5	3.2	*	23.8	266.7
140	1400	161.1	164.3	203.2	322.3	75.0	44.4	77.3	**	80.5	3.2	*	23.8	266.7

TYPE 5610/5610Q

Type 5610Q Typical Arrangement/Dimensional Data



Type 5610Q Dimensional Data (inches)

Seal Size/D1 (inches)	D3	D4		D26	L12	L23	L39	L56	L90	L91	L92	M	N
		Min.	Max.										
1.000	1.564	1.625	1.889	4.000	2.575	1.353	1.954	0.531	2.000	0.746	0.621	0.525	2.805
1.125	1.689	1.750	2.015	4.125	2.651	1.446	2.062	0.531	2.125	0.714	0.589	0.525	2.933
1.250	1.812	1.875	2.294	4.250	2.728	1.446	2.062	0.531	2.125	0.791	0.666	0.525	3.213
1.375	1.939	2.000	2.421	4.375	2.728	1.446	2.062	0.531	2.125	0.791	0.666	0.525	3.338
1.500	2.187	2.250	2.680	4.875	2.744	1.487	2.125	0.593	2.187	0.744	0.619	0.525	3.599
1.625	2.312	2.375	2.812	5.000	2.744	1.487	2.125	0.593	2.187	0.744	0.619	0.562	3.766
1.750	2.406	2.480	2.918	5.250	2.744	1.487	2.125	0.593	2.187	0.744	0.619	0.562	3.875
1.875	2.549	2.625	2.918	5.250	2.744	1.487	2.125	0.593	2.187	0.744	0.619	0.562	3.875
2.000	2.673	2.750	3.015	5.500	2.963	1.601	2.312	1.032	2.375	0.775	0.650	0.562	4.000
2.125	2.798	2.875	3.360	5.859	2.963	1.601	2.313	0.593	2.375	0.775	0.650	0.687	4.469
2.250	2.923	3.000	3.485	6.500	2.963	1.601	2.313	0.593	2.375	0.775	0.650	0.687	4.566
2.375	3.048	3.125	3.610	6.500	3.063	1.717	2.466	0.625	2.528	0.722	0.597	0.687	4.719
2.500	3.301	3.375	3.891	6.750	2.980	1.717	2.563	0.625	2.625	0.542	0.417	0.687	5.000
2.625	3.551	3.625	4.062	6.750	3.088	1.625	2.500	0.625	2.562	0.713	0.588	0.687	5.170
2.750	3.551	3.625	4.062	6.750	3.088	1.625	2.500	0.625	2.562	0.713	0.588	0.687	5.170
2.875	3.614	3.687	4.186	7.000	3.088	1.725	2.500	0.625	2.562	0.713	0.588	0.687	5.312
3.000	3.864	3.934	4.469	7.750	3.088	1.787	2.562	0.685	2.625	0.651	0.526	0.812	5.720
3.125	4.022	4.125	4.600	7.875	3.156	1.593	2.562	*	2.687	0.719	0.594	0.812	5.845
3.250	4.022	4.125	4.600	7.437	3.093	1.593	2.510	*	2.635	0.708	0.583	0.812	5.845
3.375	4.246	4.375	4.850	8.125	3.156	1.593	2.562	*	2.687	0.719	0.594	0.812	6.095
3.500	4.371	4.500	4.975	8.250	3.156	1.593	2.562	*	2.687	0.719	0.594	0.812	6.220
3.625	4.500	4.625	5.100	8.375	3.156	1.593	2.562	*	2.687	0.719	0.594	0.687	6.250
3.750	4.625	4.724	5.199	8.750	3.156	1.593	2.562	*	2.687	0.719	0.594	0.687	6.770
3.875	4.750	4.875	5.375	8.750	3.156	1.593	2.562	*	2.687	0.719	0.594	0.812	6.636
4.000	4.875	5.000	5.500	9.000	3.156	1.593	2.562	*	2.687	0.719	0.594	0.812	6.761
4.125	5.000	5.125	5.625	9.000	3.156	1.593	2.562	*	2.687	0.719	0.594	0.812	6.886
4.250	5.125	5.250	5.750	9.250	3.156	1.593	2.562	*	2.687	0.719	0.594	0.812	7.011
4.500	5.375	5.500	6.000	9.500	3.156	1.593	2.562	*	2.687	0.719	0.594	0.812	7.261
4.750	5.625	5.750	6.313	10.375	3.156	1.593	2.562	*	2.687	0.719	0.594	0.812	7.574
5.000	6.125	6.250	7.260	12.000	3.609	1.749	3.043	*	3.168	0.691	0.566	0.812	10.000
5.250	6.375	6.500	7.510	12.250	3.609	1.749	3.043	*	3.168	0.691	0.566	0.812	10.250
5.500	6.625	6.750	8.000	12.687	3.609	1.749	3.043	*	3.168	0.691	0.566	0.937	10.500

TYPE 5610/5610Q

Type 5610Q Oversize Bore Dimensional Data (inches)

Seal Size/D1 (inches)	D4														Min. Turn Diam.
	D3	Min.	Max.	D26	L12	L23	L39	L56	L90	L91	L92	M	N		
1.375	1.939	2.875	3.023	5.375	2.728	1.446	2.062	0.625	2.125	0.791	0.666	0.562	4.062	3.268	
1.750	2.406	3.500	3.925	6.500	2.744	1.487	2.125	0.656	2.187	0.744	0.619	0.687	5.093	3.885	
1.875	2.549	3.625	3.734	6.500	2.744	1.316	1.954	0.485	2.017	0.915	0.790	0.687	5.093	**	
2.125	2.798	3.875	4.250	7.156	2.963	1.570	2.282	0.749	2.407	0.806	0.681	0.687	5.687	4.264	
2.500	3.301	4.750	4.875	8.000	2.980	1.697	2.407	0.656	2.532	0.698	0.573	0.687	6.062	5.139	
2.625	3.551	4.625	4.740	8.000	3.088	1.617	2.329	0.578	2.454	0.884	0.759	0.687	6.062	***	
2.750	3.551	4.250	4.875	8.000	3.088	1.697	2.407	0.656	2.532	0.806	0.681	0.687	6.062	5.139	

**Seal cartridge is OD registered on the turn diam. of 4.125".

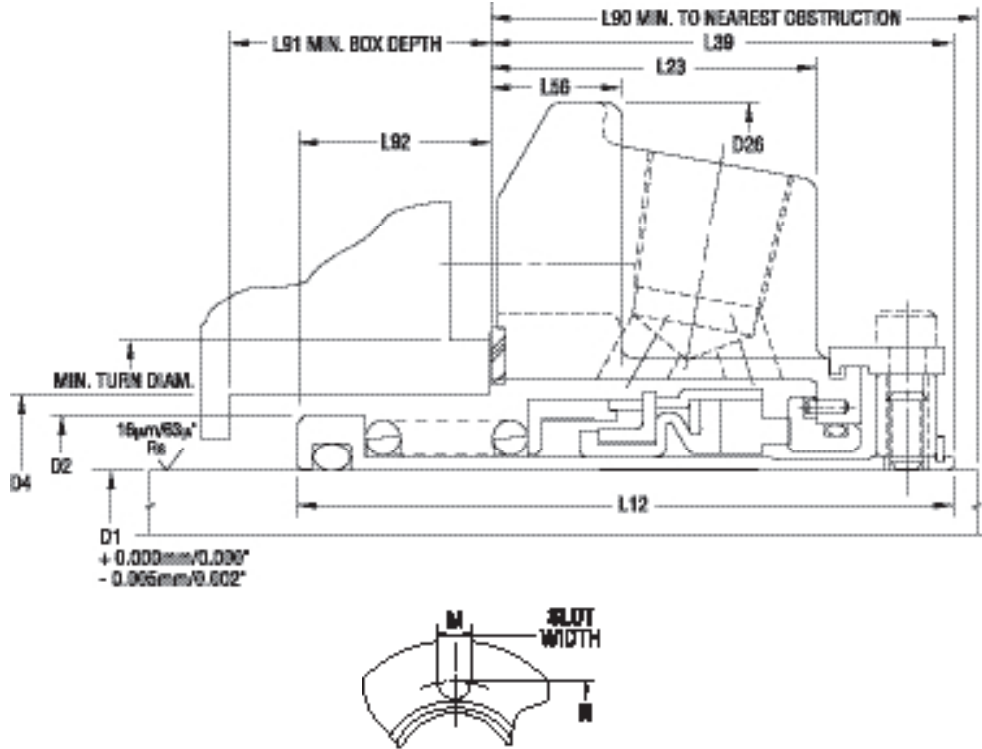
***Seal cartridge is OD registered on the turn diam. of 5.125".

Type 5610Q Dimensional Data (mm)

Seal Size/D1 (mm)	Seal Size Code	D4													
		D3	Min.	Max.	D26	L12	L23	L39	L56	L90	L91	L92	M	N	
24	0240	39.7	41.3	48.0	101.6	65.4	34.4	49.6	13.5	50.8	18.9	15.8	13.3	71.2	
25	0250	39.7	41.3	48.0	101.6	65.4	34.4	49.6	13.5	50.8	18.9	15.8	13.3	71.2	
28	0280	42.9	44.5	51.2	104.8	67.3	36.7	52.4	13.5	54.0	18.1	15.0	13.3	74.5	
30	0300	44.5	46.1	56.5	108.0	65.1	36.7	52.4	13.5	54.0	15.9	12.7	13.3	79.9	
32	0320	46.0	47.6	58.3	108.0	69.3	36.7	52.4	13.5	54.0	20.1	16.9	13.3	81.6	
33	0330	49.3	50.8	61.5	111.1	69.3	36.7	52.4	13.5	54.0	20.1	16.9	13.3	84.8	
35	0350	49.3	50.8	61.5	111.1	69.3	36.7	52.4	13.5	54.0	20.1	16.9	13.3	84.8	
38	0380	55.5	57.2	68.1	123.8	69.7	37.8	54.0	15.1	55.5	18.9	15.7	13.3	91.4	
40	0400	58.7	60.3	71.4	127.0	69.7	37.8	54.0	15.1	55.5	18.9	15.7	14.3	95.7	
43	0430	61.1	63.0	74.1	133.4	69.7	37.8	54.0	15.1	55.5	18.9	15.7	14.3	98.4	
45	0450	61.1	63.0	74.1	133.4	69.7	37.8	54.0	15.1	55.5	18.9	15.7	14.3	98.4	
48	0480	64.7	66.7	74.1	133.4	69.7	37.8	54.0	15.1	55.5	18.9	15.7	14.3	98.4	
50	0500	67.9	70.0	76.6	139.7	75.3	40.7	58.7	27.0	60.3	19.7	16.5	14.3	101.6	
53	0530	71.1	73.0	85.3	148.8	75.3	40.7	58.7	15.1	60.3	19.7	16.5	17.4	113.5	
55	0550	72.9	75.0	85.3	148.8	75.3	40.7	58.7	15.1	60.3	19.7	16.5	17.4	113.5	
58	0580	74.2	76.2	88.5	165.1	75.3	40.7	58.7	15.1	60.3	19.7	16.5	17.4	116.0	
60	0600	77.4	79.4	91.7	165.1	77.8	43.6	62.6	15.9	64.2	18.3	15.2	17.4	119.9	
63	0630	83.8	85.7	98.8	171.5	75.7	43.6	65.1	15.9	66.7	13.8	10.6	17.4	127.0	
65	0650	83.8	85.7	98.8	171.5	75.7	43.6	65.1	15.9	66.7	13.8	10.6	17.4	127.0	
68	0680	90.2	92.1	103.2	171.5	78.4	41.3	63.5	15.9	65.1	18.1	14.9	17.4	131.3	
70	0700	90.2	92.1	103.2	171.5	78.4	41.3	63.5	15.9	65.1	18.1	14.9	17.4	131.3	
75	0750	98.1	99.9	113.5	196.9	78.4	45.4	65.1	17.4	66.7	16.5	13.4	20.6	145.3	
80	0800	102.2	104.8	116.8	189.0	80.2	40.5	63.8	*	66.9	18.0	14.8	20.6	148.5	
85	0850	107.9	111.1	123.2	206.4	80.2	40.5	65.1	*	68.3	18.3	15.1	20.6	154.8	
90	0900	114.3	117.5	129.5	212.7	80.2	40.5	65.1	*	68.3	18.3	15.1	17.4	158.8	
95	0950	117.5	120.0	132.1	222.3	80.2	40.5	65.1	*	68.3	18.3	15.1	17.4	172.0	
100	1000	123.8	127.0	139.7	228.6	80.2	40.5	65.1	*	68.3	18.3	15.1	20.6	171.7	
105	1050	127.0	130.2	142.9	228.6	80.2	40.5	65.1	*	68.3	18.3	15.1	20.6	174.9	
110	1100	136.5	139.7	152.4	241.3	80.2	40.5	65.1	*	68.3	18.3	15.1	20.6	184.4	
115	1150	136.5	139.7	152.4	241.3	80.2	40.5	65.1	*	68.3	18.3	15.1	20.6	184.4	
120	1200	142.9	146.1	160.4	263.5	80.2	40.5	65.1	*	68.3	18.3	15.1	20.6	192.4	
125	1250	155.6	158.8	184.4	304.8	91.7	91.4	77.3	*	80.5	17.6	14.4	20.6	254.0	
130	1300	161.9	165.1	190.8	311.2	91.7	91.4	77.3	*	80.5	17.6	14.4	20.6	260.4	
135	1350	168.3	171.5	203.2	322.3	91.7	91.4	77.3	*	80.5	17.6	14.4	23.8	266.7	
140	1400	168.3	171.5	203.2	322.3	91.7	91.4	77.3	*	80.5	17.6	14.4	23.8	266.7	

TYPE 5611/5611Q

Type 5611 Typical Arrangement/Dimensional Data



Type 5611 Dimensional Data (inches)

Seal Size/D1 (inches)	D4		D26	L12	L23	L39	L56	L90	L91	L92	M	N	
	D2	Min.											Max.
1.000	1.375	1.500	1.889	4.000	2.739	1.353	1.954	0.531	2.000	0.910	0.785	0.525	2.805
1.125	1.500	1.625	2.015	4.125	2.595	1.446	2.062	0.531	2.125	0.658	0.533	0.525	2.933
1.250	1.687	1.812	2.294	4.250	2.718	1.446	2.062	0.531	2.125	0.781	0.656	0.525	3.213
1.375	1.812	1.937	2.421	4.375	2.625	1.446	2.062	0.531	2.125	0.688	0.563	0.525	3.338
1.500	2.000	2.125	2.680	4.875	2.960	1.487	2.125	0.593	2.187	0.960	0.835	0.525	3.599
1.625	2.125	2.250	2.812	5.000	3.022	1.487	2.125	0.593	2.187	1.022	0.897	0.562	3.766
1.750	2.250	2.375	2.918	5.250	3.038	1.487	2.125	0.593	2.187	1.038	0.913	0.562	3.875
1.875	2.375	2.500	2.918	5.250	3.038	1.487	2.125	0.593	2.187	1.038	0.913	0.562	3.875
2.000	2.687	2.750	3.015	5.500	3.454	1.601	2.312	1.063	2.375	1.266	1.141	0.562	4.000
2.125	2.812	2.875	3.360	5.859	3.454	1.601	2.312	0.593	2.375	1.266	1.141	0.687	4.469
2.250	2.750	2.875	3.485	6.500	3.579	1.601	2.312	0.593	2.375	1.391	1.266	0.687	4.566
2.375	3.062	3.125	3.610	6.500	3.468	1.717	2.466	0.625	2.528	1.127	1.002	0.687	4.719
2.500	3.250	3.375	3.891	6.750	3.829	1.717	2.563	0.625	2.625	1.391	1.266	0.687	5.000
2.625	3.500	3.625	4.062	6.750	3.978	1.625	2.500	0.625	2.562	1.603	1.478	0.687	5.170
2.750	3.500	3.625	4.062	6.750	3.978	1.625	2.500	0.625	2.562	1.603	1.478	0.687	5.170
2.875	3.625	3.695	4.186	7.000	3.978	1.725	2.500	0.625	2.562	1.603	1.478	0.687	5.312
3.000	3.937	4.000	4.469	7.750	4.172	1.787	2.562	0.685	2.625	1.735	1.610	0.812	5.720
3.125	4.062	4.125	4.600	7.875	4.187	1.593	2.562	*	2.687	1.750	1.625	0.812	5.845
3.250	4.062	4.125	4.600	7.437	4.187	1.593	2.510	*	2.635	1.802	1.677	0.812	5.845
3.375	4.312	4.375	4.850	8.125	4.375	1.593	2.562	*	2.687	1.938	1.813	0.812	6.095
3.500	4.437	4.500	4.975	8.250	4.344	1.593	2.562	*	2.687	1.907	1.782	0.812	6.220
3.625	4.562	4.625	5.100	8.375	4.625	1.593	2.562	*	2.687	2.188	2.063	0.687	6.250
3.750	4.632	4.724	5.199	8.750	4.437	1.593	2.562	*	2.687	2.000	1.875	0.687	6.770
3.875	4.812	4.905	5.375	8.750	4.500	1.593	2.562	*	2.687	2.063	1.938	0.812	6.636
4.000	4.937	5.031	5.500	9.000	4.812	1.593	2.562	*	2.687	2.375	2.250	0.812	6.761

TYPE 5611/5611Q

Type 5611 Oversize Bore Dimensional Data (inches)

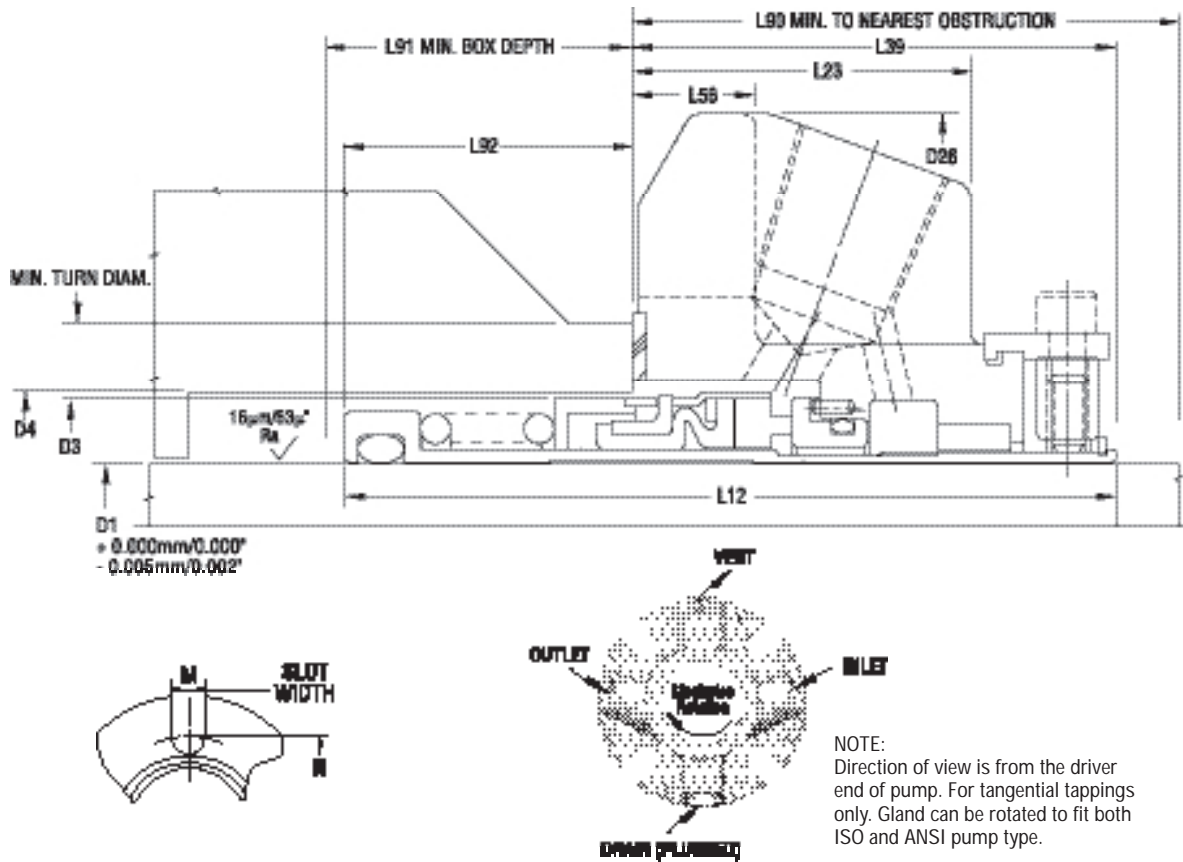
Seal Size/D1 (inches)	D4		D26	L12	L23	L39	L56	L90	L91	L92	M	N	Min. Turn Diam.
	D2	Min. Max.											
1.375	1.812	2.875 3.023	5.375	2.625	1.446	2.062	0.625	2.125	0.688	0.563	0.562	4.062	3.268
1.750	2.250	3.500 3.925	6.500	3.038	1.487	2.125	0.656	2.187	1.038	0.913	0.687	5.093	3.885
1.875	2.375	3.625 3.734	6.500	3.038	1.316	1.954	0.485	2.017	1.209	1.084	0.687	5.093	**
2.125	2.687	3.875 4.250	7.156	3.454	1.570	2.282	0.749	2.407	1.297	1.172	0.687	5.687	4.264
2.500	3.250	4.750 4.875	8.000	3.829	1.697	2.407	0.656	2.532	1.547	1.422	0.687	6.062	5.139
2.625	3.437	4.625 4.740	8.000	3.978	1.617	2.329	0.578	2.454	1.774	1.649	0.687	6.062	***
2.750	3.437	4.750 4.875	8.000	3.978	1.697	2.407	0.656	2.532	1.696	1.571	0.687	6.062	5.139

Type 5611 Dimensional Data (mm)

Seal Size/D1 (mm)	Seal Size Code	D2	D4		D26	L12	L23	L39	L56	L90	L91	L92	M	N
			Min.	Max.										
24	0240	34.9	38.1	48.0	101.6	69.6	34.4	49.6	13.5	50.8	23.1	20.0	13.3	71.2
25	0250	34.9	38.1	48.0	101.6	69.6	34.4	49.6	13.5	50.8	23.1	20.0	13.3	71.2
28	0280	38.1	41.3	51.2	104.8	65.9	36.7	52.4	13.5	54.0	16.7	13.5	13.3	74.5
30	0300	42.8	46.0	56.5	108.0	69.0	36.7	52.4	13.5	54.0	19.8	16.7	13.3	81.6
32	0320	42.8	46.0	58.3	108.0	69.0	36.7	52.4	13.5	54.0	19.8	16.7	13.3	81.6
33	0330	46.0	49.2	61.5	111.1	66.7	36.7	52.4	13.5	54.0	17.5	14.3	13.3	84.8
35	0350	46.0	49.2	61.5	111.1	66.7	36.7	52.4	13.5	54.0	17.5	14.3	13.3	84.8
38	0380	50.8	54.0	68.1	123.8	75.2	37.8	54.0	15.1	55.6	24.4	21.2	13.3	91.4
40	0400	54.0	57.2	71.4	127.0	76.8	37.8	54.0	15.1	55.6	26.0	22.8	14.3	95.7
43	0430	57.2	60.3	74.1	133.4	77.2	37.8	54.0	15.1	55.6	26.4	23.2	14.3	98.4
45	0450	57.2	60.3	74.1	133.4	77.2	37.8	54.0	15.1	55.6	26.4	23.2	14.3	98.4
48	0480	60.3	63.5	74.1	133.4	77.2	37.8	54.0	15.1	55.6	26.4	23.2	14.3	98.4
50	0500	68.2	69.9	76.6	139.7	87.7	40.7	58.7	27.0	60.3	32.2	29.0	14.3	101.6
53	0530	71.4	73.0	85.3	148.8	87.7	40.7	58.7	15.1	60.3	32.2	29.0	17.4	113.5
55	0550	69.9	73.0	85.3	148.8	90.9	40.7	58.7	15.1	60.3	35.4	32.2	17.4	113.5
58	0580	69.9	75.0	88.5	165.1	90.9	40.7	58.7	15.1	60.3	35.4	32.2	17.4	116.0
60	0600	77.8	79.4	91.7	165.1	88.1	43.6	62.6	15.9	64.2	28.6	25.5	17.4	119.9
63	0630	82.6	85.7	98.8	171.5	97.3	43.6	65.1	15.9	66.7	35.4	32.2	17.4	127.0
65	0650	82.6	85.7	98.8	171.5	97.3	43.6	65.1	15.9	66.7	35.4	32.2	17.4	127.0
68	0680	88.9	92.1	103.2	171.5	101.0	41.2	63.5	15.9	65.1	40.7	37.5	17.4	131.3
70	0700	88.9	92.1	103.2	171.5	101.0	41.2	63.5	17.4	65.1	40.7	37.5	17.4	131.3
75	0750	100.0	101.6	113.5	196.9	106.0	45.4	65.1	*	66.7	44.1	40.9	20.6	145.3
80	0800	103.2	104.8	116.8	188.9	106.4	40.5	63.8	*	66.9	45.8	42.6	20.6	148.5
85	0850	109.5	111.1	123.2	206.4	111.1	40.5	65.1	*	68.3	49.2	46.1	20.6	154.8
90	0900	115.9	117.5	129.5	212.7	117.5	40.5	65.1	*	68.3	55.6	52.4	17.4	158.8
95	0950	117.7	120.0	132.1	222.3	112.7	40.5	65.1	*	68.3	50.8	47.6	17.4	172.0
100	1000	125.4	127.8	139.7	228.6	122.2	40.5	65.1	*	68.3	60.3	57.2	20.6	171.7
125	1250	165.1	167.5	184.4	304.8	146.0	41.4	77.3	*	80.5	71.9	68.8	20.6	254.0

TYPE 5611/5611Q

Type 5611Q Typical Arrangement/Dimensional Data



Type 5611Q Dimensional Data (inches)

Seal Size/D1 (inches)	D3	D4		D26	L12	L23	L39	L56	L90	L91	L92	M	N
		Min.	Max.										
1.000	1.562	1.625	1.889	4.000	3.327	1.353	1.954	0.531	2.000	1.498	1.373	0.525	2.805
1.125	1.687	1.750	2.015	4.125	3.183	1.446	2.062	0.531	2.125	1.246	1.121	0.525	2.933
1.250	1.812	1.875	2.294	4.250	3.390	1.446	2.062	0.531	2.125	1.453	1.328	0.525	3.213
1.375	1.937	2.000	2.421	4.375	3.290	1.446	2.062	0.531	2.125	1.353	1.228	0.525	3.338
1.500	2.156	2.218	2.680	4.875	3.548	1.487	2.125	0.593	2.187	1.548	1.423	0.525	3.599
1.625	2.281	2.343	2.812	5.000	3.610	1.487	2.125	0.593	2.187	1.610	1.485	0.562	3.766
1.750	2.406	2.480	2.918	5.250	3.626	1.487	2.125	0.593	2.187	1.626	1.501	0.562	3.875
1.875	2.531	2.625	2.918	5.250	3.626	1.487	2.125	0.593	2.187	1.626	1.501	0.562	3.875
2.000	2.687	2.750	3.015	5.500	4.042	1.601	2.312	1.063	2.375	1.854	1.729	0.562	4.000
2.125	2.812	2.875	3.360	5.859	4.042	1.601	2.312	0.593	2.375	1.854	1.729	0.687	4.469
2.250	2.937	3.000	3.485	6.500	4.167	1.601	2.312	0.593	2.375	1.979	1.854	0.687	4.566
2.375	3.062	3.125	3.610	6.500	4.062	1.717	2.466	0.625	2.528	1.783	1.596	0.687	4.719
2.500	3.250	3.375	3.891	6.750	4.325	1.717	2.563	0.625	2.625	1.887	1.762	0.687	5.000
2.625	3.500	3.625	4.062	6.750	4.566	1.625	2.500	0.625	2.562	2.191	2.066	0.687	5.170
2.750	3.500	3.625	4.062	6.750	4.566	1.625	2.500	0.625	2.562	2.191	2.066	0.687	5.170
2.875	3.625	3.695	4.186	7.000	4.578	1.725	2.500	0.625	2.562	2.203	2.078	0.687	5.312
3.000	3.937	4.000	4.469	7.750	4.750	1.787	2.562	0.685	2.625	2.313	2.188	0.812	5.720
3.125	4.062	4.125	4.600	7.875	4.781	1.593	2.562	*	2.687	2.344	2.219	0.812	5.845
3.250	4.062	4.125	4.600	7.437	4.718	1.593	2.510	*	2.635	2.333	2.208	0.812	5.845
3.375	4.312	4.375	4.850	8.125	4.969	1.593	2.562	*	2.687	2.532	2.407	0.812	6.095
3.500	4.437	4.500	4.975	8.250	4.969	1.593	2.562	*	2.687	2.532	2.407	0.812	6.220
3.625	4.562	4.625	5.100	8.375	5.218	1.593	2.562	*	2.687	2.781	2.656	0.687	6.250
3.750	4.687	4.781	5.199	8.750	5.031	1.593	2.562	*	2.687	2.594	2.469	0.687	6.770
3.875	4.875	4.968	5.375	8.750	5.093	1.593	2.562	*	2.687	2.656	2.531	0.812	6.636
4.000	5.021	5.114	5.500	9.000	5.406	1.593	2.562	*	2.687	2.969	2.844	0.812	6.761

TYPE 5611/5611Q

Type 5611Q Oversize Bore Dimensional Data (inches)

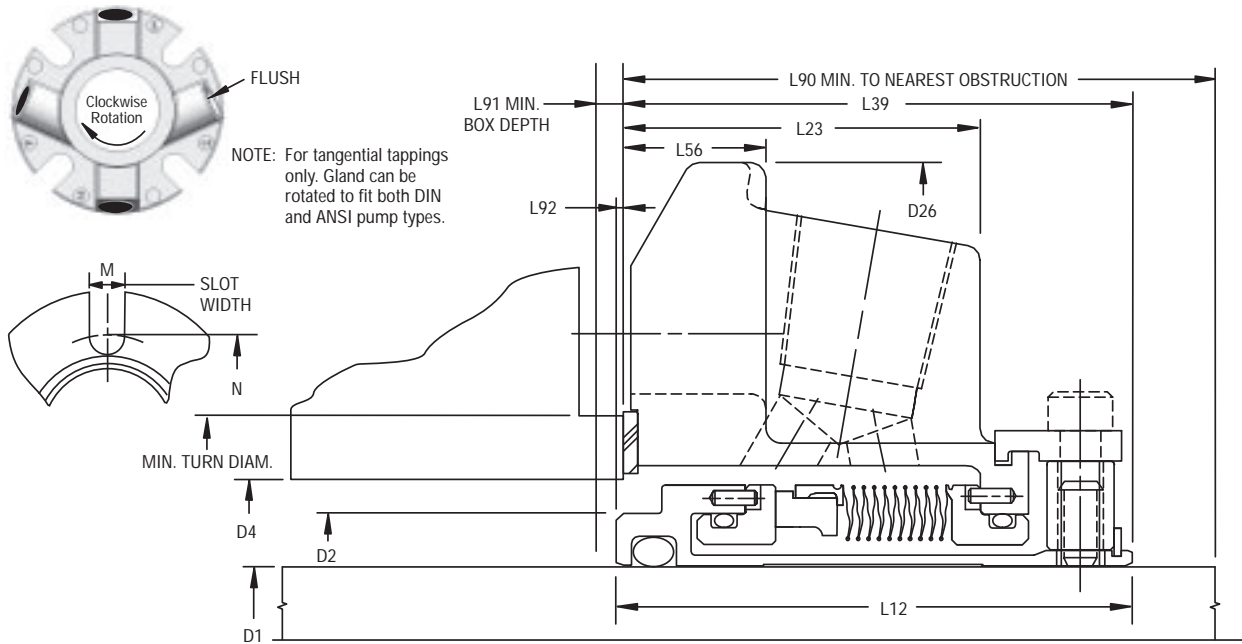
Seal Size/D1 (inches)	D4													Min. Turn Diam.
	D3	Min.	Max.	D26	L12	L23	L39	L56	L90	L91	L92	M	N	
1.375	1.937	2.875	3.023	5.375	3.290	1.446	2.062	0.625	2.125	1.353	1.228	0.562	4.062	3.268
1.750	2.406	3.500	3.925	6.500	3.626	1.487	2.125	0.656	2.187	1.626	1.501	0.687	5.093	3.885
1.875	2.530	3.625	3.734	6.500	3.626	1.316	1.954	0.485	2.017	1.797	1.672	0.687	5.093	**
2.125	2.812	3.875	4.250	7.156	4.042	1.570	2.282	0.749	2.407	1.885	1.760	0.687	5.687	4.264
2.500	3.250	4.750	4.875	8.000	4.325	1.697	2.407	0.656	2.532	2.043	1.918	0.687	6.062	5.139
2.625	3.625	4.625	4.740	8.000	4.566	1.617	2.329	0.578	2.454	2.362	2.237	0.687	6.062	***
2.750	3.500	4.750	4.875	8.000	4.566	1.697	2.407	0.656	2.532	2.284	2.159	0.687	6.062	5.139

Type 5611Q Dimensional Data (mm)

Seal Size/D1 (mm)	Seal Size Code	D4												
		D3	D4 Min.	D4 Max.	D26	L12	L23	L39	L56	L90	L91	L92	M	N
24	0240	39.7	41.3	48.0	101.6	84.5	34.4	49.6	13.5	50.8	38.0	34.9	13.3	71.2
25	0250	39.7	41.3	48.0	101.6	84.5	34.4	49.6	13.5	50.8	38.0	34.9	13.3	71.2
28	0280	42.9	44.5	51.2	104.8	80.8	36.7	52.4	13.5	54.0	31.6	28.5	13.3	74.5
30	0300	44.5	46.1	56.5	108.0	81.7	36.7	52.4	13.5	54.0	32.5	29.4	13.3	81.6
32	0320	45.0	47.6	58.3	108.0	86.1	36.7	52.4	13.5	54.0	36.9	33.7	13.3	81.6
33	0330	49.2	50.8	61.5	111.1	83.6	36.7	52.4	13.5	54.0	34.4	31.2	13.3	84.8
35	0350	49.2	50.8	61.5	111.1	83.6	36.7	52.4	13.5	54.0	34.4	31.2	13.3	84.8
38	0380	54.8	56.3	68.1	123.8	90.1	37.8	54.0	15.1	55.6	39.3	36.1	13.3	91.4
40	0400	57.9	59.5	71.4	127.0	91.7	37.8	54.0	15.1	55.6	40.9	37.7	14.3	95.7
43	0430	61.1	63.0	74.1	133.4	92.1	37.8	54.0	15.1	55.6	41.3	38.1	14.3	98.4
45	0450	61.1	63.0	74.1	133.4	92.1	37.8	54.0	15.1	55.6	41.3	38.1	14.3	98.4
48	0480	64.3	66.7	74.1	133.4	92.1	37.8	54.0	15.1	55.6	41.3	38.1	14.3	98.4
50	0500	68.2	70.0	76.6	139.7	102.7	40.7	58.7	27.0	60.3	47.1	43.9	14.3	101.6
53	0530	71.4	73.0	85.3	148.8	102.7	40.7	58.7	15.1	60.3	47.1	43.9	17.4	113.5
55	0550	74.6	76.7	85.3	148.8	105.8	40.7	58.7	15.1	60.3	50.3	47.1	17.4	113.5
58	0580	74.6	76.2	88.5	165.1	105.8	40.7	58.7	15.1	60.3	50.3	47.1	17.4	116.0
60	0600	77.8	79.4	91.7	165.1	103.2	43.6	62.6	15.9	64.2	43.7	40.5	17.4	119.9
63	0630	82.6	85.7	98.8	171.5	109.9	43.6	65.1	15.9	66.7	48.0	44.8	17.4	127.0
65	0650	82.6	85.7	98.8	171.5	109.9	43.6	65.1	15.9	66.7	48.0	44.8	17.4	127.0
68	0680	88.9	92.1	103.2	171.5	116.0	41.2	63.5	15.9	65.1	55.7	52.5	17.4	131.3
70	0700	88.9	92.1	103.2	171.5	116.0	41.2	63.5	15.9	65.1	55.7	52.5	17.4	131.3
75	0750	100.0	101.6	113.5	196.9	120.7	45.4	65.1	17.4	66.7	58.8	55.6	20.6	145.3
80	0800	103.2	104.8	116.8	188.9	119.8	40.5	63.8	*	66.9	59.3	56.1	20.6	148.4
85	0850	109.5	111.1	123.2	206.4	126.2	40.5	65.1	*	68.3	64.3	61.1	20.6	154.8
90	0900	115.9	117.5	129.5	212.7	132.5	40.5	65.1	*	68.3	70.6	67.5	17.4	158.8
95	0950	119.1	121.4	132.1	222.3	127.8	40.5	65.1	*	68.3	65.9	62.7	17.4	172.0
100	1000	127.5	129.9	139.7	228.6	137.3	40.5	65.1	*	68.3	75.4	72.2	20.6	171.7
125	1250	165.1	167.5	184.4	304.8	162.7	44.4	77.2	*	80.5	88.5	88.4	20.6	254.0

TYPE 5615/5615Q

Type 5615 Typical Arrangement/Dimensional Data



Type 5615 Dimensional Data (inches)

Seal Size/D1 (inches)	D4		D26	L12	L23	L39	L56	L90	L91	L92	M	N	
	D2	Min.											Max.
1.000	1.375	1.445	1.889	4.000	1.989	1.353	1.954	0.531	2.000	0.160	0.035	0.525	2.805
1.125	1.500	*	2.015	4.125	2.062	1.446	2.062	0.531	2.125	0.125	*	0.525	2.933
1.250	1.625	*	2.294	4.250	2.062	1.446	2.062	0.531	2.125	0.125	*	0.525	3.213
1.375	1.750	*	2.421	4.375	2.062	1.446	2.062	0.531	2.125	0.125	*	0.525	3.338
1.500	1.937	2.007	2.680	4.875	2.156	1.487	2.125	0.593	2.187	0.156	0.031	0.525	3.599
1.625	2.062	2.132	2.812	5.000	2.156	1.487	2.125	0.593	2.187	0.156	0.031	0.562	3.766
1.750	2.170	2.240	2.918	5.250	2.156	1.487	2.125	0.593	2.187	0.156	0.031	0.562	3.875
1.875	2.312	2.382	2.918	5.250	2.156	1.487	2.125	0.593	2.187	0.156	0.031	0.562	3.875
2.000	2.437	2.507	3.015	5.500	2.375	1.601	2.312	1.063	2.375	0.187	0.062	0.562	4.000
2.125	2.562	2.632	3.360	5.859	2.375	1.601	2.312	0.593	2.375	0.187	0.062	0.687	4.469
2.250	2.687	2.757	3.485	6.500	2.375	1.601	2.312	0.593	2.375	0.187	0.062	0.687	4.566
2.375	2.812	2.882	3.610	6.500	2.484	1.717	2.466	0.625	2.528	0.143	0.018	0.687	4.719
2.500	3.062	*	3.891	6.750	2.484	1.717	2.563	0.625	2.625	0.125	*	0.687	5.000
2.625	3.312	*	4.062	6.750	2.500	1.625	2.500	0.625	2.562	0.125	*	0.687	5.170
2.750	3.312	*	4.062	6.750	2.500	1.625	2.500	0.625	2.562	0.125	*	0.687	5.170
2.875	3.375	*	4.186	7.000	2.500	1.725	2.500	0.625	2.562	0.125	*	0.687	5.312
3.000	3.625	*	4.469	7.750	2.500	1.787	2.562	0.685	2.625	0.125	*	0.812	5.720

Type 5615 Oversize Bore Dimensional Data (inches)

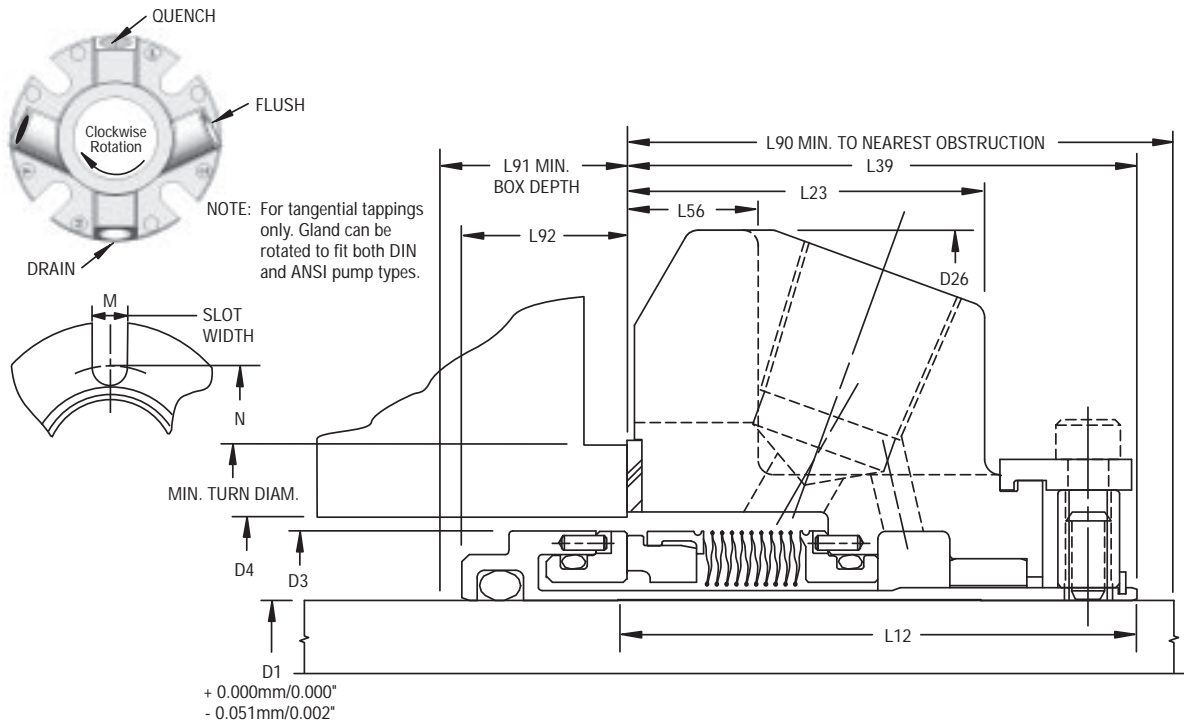
Seal Size/D1 (inches)	D4		D26	L12	L23	L39	L56	L90	L91	L92	M	N	Min. Turn Diam.	
	D2	Min.												Max.
1.375	1.750	2.875	3.023	5.375	2.062	1.446	2.062	0.625	2.125	0.250	0.125	0.562	4.062	3.268
1.750	2.170	3.500	3.925	6.500	2.156	1.487	2.125	0.656	2.187	0.250	0.125	0.687	5.093	3.885
1.875	2.312	3.625	3.734	6.500	2.156	1.316	1.954	0.485	2.017	0.327	0.202	0.687	5.093	**
2.125	2.562	3.875	4.250	7.156	2.375	1.570	2.282	0.749	2.407	0.219	0.094	0.687	5.687	4.264
2.500	3.062	4.750	4.875	8.000	2.484	1.697	2.407	0.656	2.532	0.204	0.079	0.687	6.062	5.139
2.625	3.312	4.625	4.740	8.000	2.500	1.617	2.329	0.578	2.454	0.296	0.171	0.687	6.062	***
2.750	3.312	4.750	4.875	8.000	2.500	1.697	2.407	0.656	2.532	0.218	0.093	0.687	6.062	5.139

TYPE 5615/5615Q

Type 5615 Dimensional Data (mm)

Seal Size/D1 (mm)	Seal Size Code	D2	D4		D26	L12	L23	L39	L56	L90	L91	L92	M	N
			Min.	Max.										
24	0240	34.9	36.7	48.0	101.6	50.5	34.4	49.6	13.5	50.8	4.0	0.9	13.3	71.2
25	0250	34.9	36.7	48.0	101.6	50.5	34.4	49.6	13.5	50.8	4.0	0.9	13.3	71.2
28	0280	38.1	*	51.2	104.8	52.4	36.7	52.4	13.5	54.0	3.2	*	13.3	74.5
30	0300	40.0	*	56.5	108.0	52.4	36.7	52.4	13.5	54.0	3.2	*	13.3	79.9
32	0320	41.3	*	58.3	108.0	52.4	36.7	52.4	13.5	54.0	3.2	*	13.3	81.6
33	0330	44.5	*	61.5	111.1	52.4	36.7	52.4	13.5	54.0	3.2	*	13.3	84.8
35	0350	44.5	*	61.5	111.1	52.4	36.7	52.4	13.5	54.0	3.2	*	13.3	84.8
38	0380	49.2	51.0	68.1	123.8	54.8	37.8	54.0	15.1	55.5	4.0	0.8	13.3	91.4
40	0400	52.4	54.2	71.4	127.0	54.8	37.8	54.0	15.1	55.5	4.0	0.8	14.3	95.7
43	0430	55.1	56.9	74.1	133.4	54.8	37.8	54.0	15.1	55.5	4.0	0.8	14.3	98.4
45	0450	55.1	56.9	74.1	133.4	54.8	37.8	54.0	15.1	55.5	4.0	0.8	14.3	98.4
48	0480	58.7	60.5	74.1	133.4	54.8	37.8	54.0	15.1	55.5	4.0	0.8	14.3	98.4
50	0500	61.9	63.7	76.6	139.7	60.3	40.7	58.7	27.0	60.3	4.7	1.6	14.3	101.6
53	0530	65.1	66.9	85.3	148.8	60.3	40.7	58.7	15.1	60.3	4.7	1.6	17.4	113.5
55	0550	66.7	75.0	85.3	148.8	60.3	40.7	58.7	15.1	60.3	4.7	1.6	17.4	113.5
58	0580	68.2	70.0	88.5	165.1	60.3	40.7	58.7	15.1	60.3	4.7	1.6	17.4	116.0
60	0600	71.4	73.2	91.7	165.1	63.1	43.6	62.6	15.9	64.2	3.6	0.5	17.4	119.9
63	0630	77.8	*	98.8	171.5	63.1	43.6	65.1	15.9	66.7	3.2	*	17.4	127.0
65	0650	77.8	*	98.8	171.5	63.1	43.6	65.1	15.9	66.7	3.2	*	17.4	127.0
68	0680	84.1	*	103.2	171.5	63.5	41.3	63.5	15.9	65.1	3.2	*	17.4	131.3
70	0700	84.1	*	103.2	171.5	63.5	41.3	63.5	15.9	65.1	3.2	*	17.4	131.3
75	0750	92.1	*	113.5	196.9	63.5	45.4	65.1	17.4	66.7	3.2	*	20.6	145.3

Type 5615Q Typical Arrangement/Dimensional Data



TYPE 5615/5615Q

Type 5615Q Dimensional Data (inches)

Seal Size/D1 (inches)	D4												
	D3	Min.	Max.	D26	L12	L23	L39	L56	L90	L91	L92	M	N
1.000	1.564	1.625	1.889	4.000	2.575	1.353	1.954	0.531	2.000	0.746	0.621	0.525	2.805
1.125	1.689	1.750	2.015	4.125	2.651	1.446	2.062	0.531	2.125	0.714	0.589	0.525	2.933
1.250	1.812	1.875	2.294	4.250	2.728	1.446	2.062	0.531	2.125	0.791	0.666	0.525	3.213
1.375	1.939	2.000	2.421	4.375	2.728	1.446	2.062	0.531	2.125	0.791	0.666	0.525	3.338
1.500	2.187	2.250	2.680	4.875	2.744	1.487	2.125	0.593	2.187	0.744	0.619	0.525	3.599
1.625	2.312	2.375	2.812	5.000	2.744	1.487	2.125	0.593	2.187	0.744	0.619	0.562	3.766
1.750	2.406	2.480	2.918	5.250	2.744	1.487	2.125	0.593	2.187	0.744	0.619	0.562	3.875
1.875	2.549	2.625	2.918	5.250	2.744	1.487	2.125	0.593	2.187	0.744	0.619	0.562	3.875
2.000	2.687	2.750	3.015	5.500	2.963	1.601	2.312	1.063	2.375	0.775	0.650	0.562	4.000
2.125	2.798	2.875	3.360	5.859	2.963	1.601	2.312	0.593	2.375	0.775	0.650	0.687	4.469
2.250	2.937	3.000	3.485	6.500	2.963	1.601	2.312	0.593	2.375	0.775	0.650	0.687	4.566
2.375	3.062	3.125	3.610	6.500	3.063	1.717	2.466	0.625	2.528	0.722	0.597	0.687	4.719
2.500	3.301	3.375	3.891	6.750	2.980	1.717	2.563	0.625	2.625	0.542	0.417	0.687	5.000
2.625	3.551	3.625	4.062	6.750	3.088	1.625	2.500	0.625	2.562	0.713	0.588	0.687	5.170
2.750	3.551	3.625	4.062	6.750	3.088	1.625	2.500	0.625	2.562	0.713	0.588	0.687	5.170
2.875	3.687	3.750	4.186	7.000	3.088	1.725	2.500	0.625	2.562	0.713	0.588	0.687	5.312
3.000	3.937	4.000	4.469	7.750	3.088	1.787	2.562	0.685	2.625	0.651	0.526	0.812	5.720

Type 5615Q Oversize Bore Dimensional Data (inches)

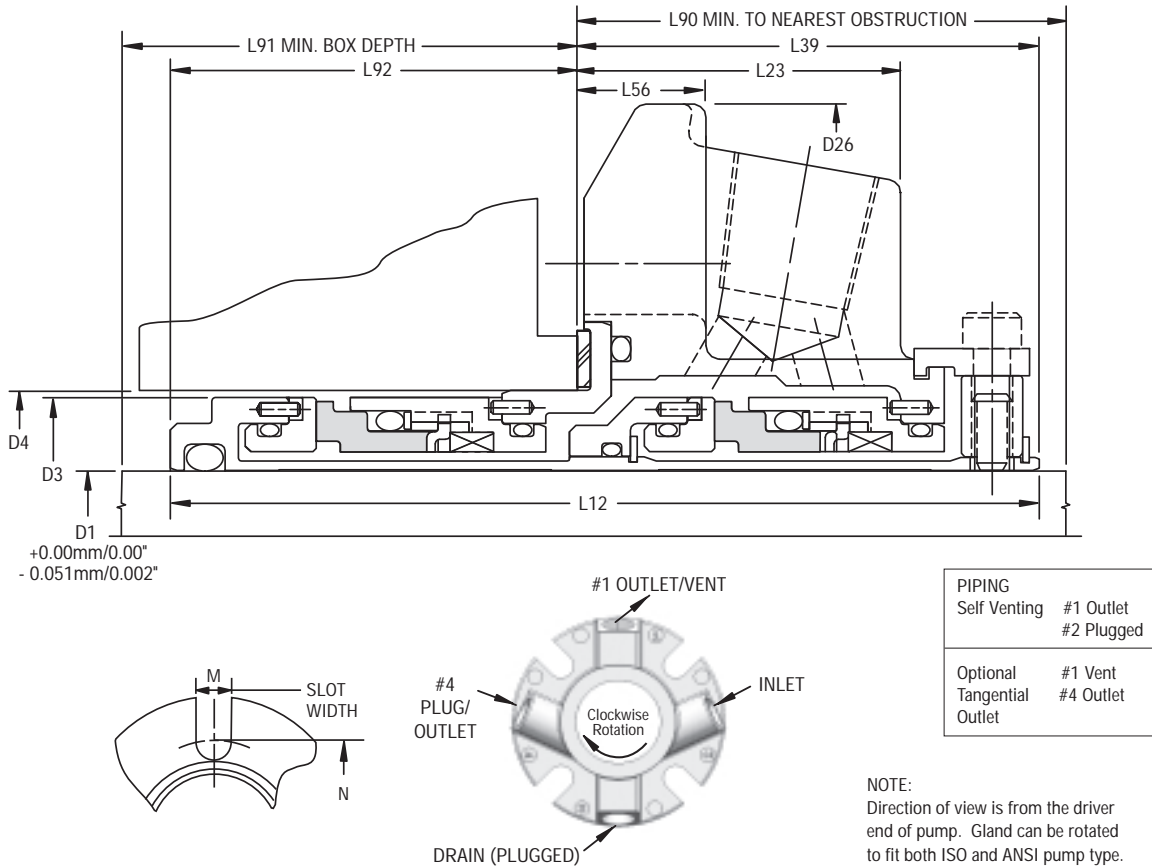
Seal Size/D1 (inches)	D4												Min. Turn Diam.	
	D3	Min.	Max.	D26	L12	L23	L39	L56	L90	L91	L92	M		N
1.375	1.939	2.875	3.023	5.375	2.728	1.446	2.062	0.625	2.125	0.791	0.666	0.562	4.062	3.268
1.750	2.406	3.500	3.925	6.500	2.744	1.487	2.125	0.656	2.187	0.744	0.619	0.687	5.093	3.885
1.875	2.549	3.625	3.734	6.500	2.744	1.316	1.954	0.485	2.017	0.915	0.790	0.687	5.093	**
2.125	2.798	3.875	4.250	7.156	2.963	1.570	2.282	0.749	2.407	0.806	0.681	0.687	5.687	4.264
2.500	3.301	4.750	4.875	8.000	2.980	1.697	2.407	0.656	2.532	0.698	0.573	0.687	6.062	5.139
2.625	3.551	4.625	4.740	8.000	3.088	1.617	2.329	0.578	2.454	0.884	0.759	0.687	6.062	***
2.750	3.551	4.750	4.875	8.000	3.088	1.697	2.407	0.656	2.532	0.806	0.681	0.687	6.062	5.139

Type 5615Q Dimensional Data (mm)

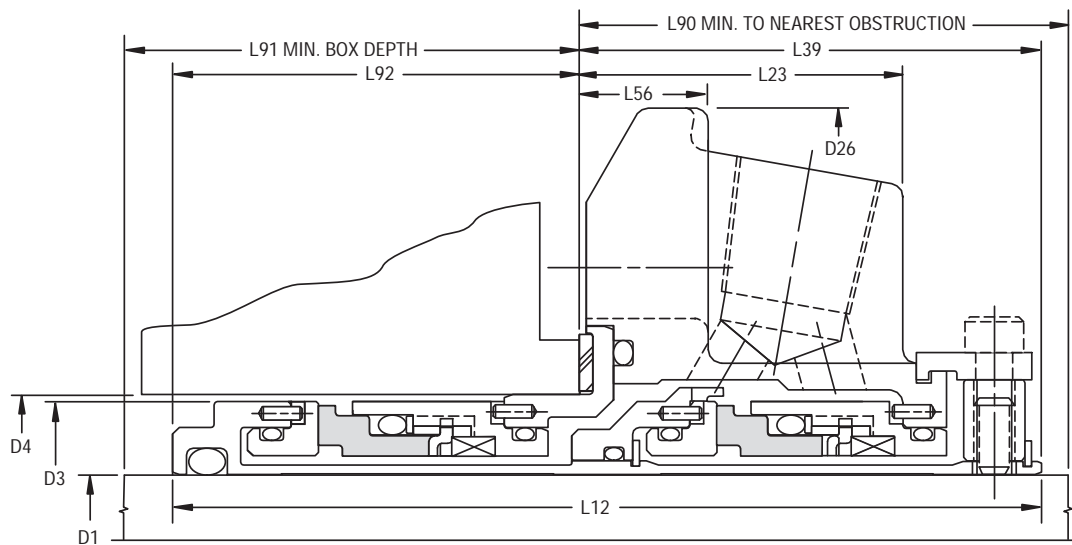
Seal Size/D1 (mm)	Seal Size Code	D4												
		D3	Min.	Max.	D26	L12	L23	L39	L56	L90	L91	L92	M	N
24	0240	39.7	41.3	48.0	101.6	65.4	34.4	49.6	13.5	50.8	18.9	15.8	13.3	71.2
25	0250	39.7	41.3	48.0	101.6	65.4	34.4	49.6	13.5	50.8	18.9	15.8	13.3	71.2
28	0280	42.9	44.5	51.2	104.8	67.3	36.7	52.4	13.5	54.0	18.1	15.0	13.3	74.5
30	0300	44.5	46.1	56.5	108.0	65.1	36.7	52.4	13.5	54.0	15.9	12.7	13.3	79.9
32	0320	46.0	47.6	58.3	108.0	69.3	36.7	52.4	13.5	54.0	20.1	16.9	13.3	81.6
33	0330	49.3	50.8	61.5	111.1	69.3	36.7	52.4	13.5	54.0	20.1	16.9	13.3	84.8
35	0350	49.3	50.8	61.5	111.1	69.3	36.7	52.4	13.5	54.0	20.1	16.9	13.3	84.8
38	0380	55.5	57.2	68.1	123.8	69.7	37.8	54.0	15.1	55.5	18.9	15.7	13.3	91.4
40	0400	58.7	60.3	71.4	127.0	69.7	37.8	54.0	15.1	55.5	18.9	15.7	14.3	95.7
43	0430	61.1	63.0	74.1	133.4	69.7	37.8	54.0	15.1	55.5	18.9	15.7	14.3	98.4
45	0450	61.1	63.0	74.1	133.4	69.7	37.8	54.0	15.1	55.5	18.9	15.7	14.3	98.4
48	0480	65.1	66.7	74.1	133.4	69.7	37.8	54.0	15.1	55.5	18.9	15.7	14.3	98.4
50	0500	68.3	70.0	76.6	139.7	75.3	40.7	58.7	27.0	60.3	19.7	16.5	14.3	101.6
53	0530	71.4	73.0	85.3	148.8	75.3	40.7	58.7	15.1	60.3	19.7	16.5	17.4	113.5
55	0550	72.9	75.0	85.3	148.8	75.3	40.7	58.7	15.1	60.3	19.7	16.5	17.4	113.5
58	0580	74.6	76.2	88.5	165.1	75.3	40.7	58.7	15.1	60.3	19.7	16.5	17.4	116.0
60	0600	77.8	79.4	91.7	165.1	77.8	43.6	62.6	15.9	64.2	18.3	15.2	17.4	119.9
63	0630	84.1	85.7	98.8	171.5	75.7	43.6	65.1	15.9	66.7	13.8	10.6	17.4	127.0
65	0650	84.1	85.7	98.8	171.5	75.7	43.6	65.1	15.9	66.7	13.8	10.6	17.4	127.0
68	0680	90.5	92.1	103.2	171.5	78.4	41.3	63.5	15.9	65.1	18.1	14.9	17.4	131.3
70	0700	90.5	92.1	103.2	171.5	78.4	41.3	63.5	15.9	65.1	18.1	14.9	17.4	131.3
75	0750	100.0	101.6	113.5	196.9	78.4	45.4	65.1	17.4	66.7	16.5	13.4	20.6	145.3

TYPE 5620/5620PR

Type 5620 Typical Arrangement/Dimensional Data



Type 5620PR Typical Arrangement/Dimensional Data



TYPE 5620/5620PR

Type 5620/5620PR Dimensional Data (inches)

Seal Size/D1 (inches)	D4		D26	L12	L23	L39	L56	L90	L91	L92	M	N	
	D3	Min.											Max.
1.000	1.564	1.625	1.889	4.000	3.705	1.353	1.954	0.531	2.000	1.876	1.751	0.525	2.805
1.125	1.689	1.750	2.015	4.125	3.851	1.446	2.062	0.531	2.125	1.914	1.789	0.525	2.933
1.250	1.812	1.875	2.294	4.250	3.851	1.446	2.062	0.531	2.125	1.914	1.789	0.525	3.213
1.375	1.939	2.000	2.421	4.375	3.851	1.446	2.062	0.531	2.125	1.914	1.789	0.525	3.338
1.500	2.187	2.250	2.680	4.875	3.995	1.487	2.125	0.593	2.187	1.995	1.870	0.525	3.599
1.625	2.312	2.375	2.812	5.000	3.995	1.487	2.125	0.593	2.187	1.995	1.870	0.562	3.766
1.750	2.406	2.480	2.918	5.250	3.995	1.487	2.125	0.593	2.187	1.995	1.870	0.562	3.875
1.875	2.549	2.625	2.918	5.250	3.995	1.487	2.125	0.593	2.187	1.995	1.870	0.562	3.875
2.000	2.673	2.750	3.015	5.500	4.355	1.601	2.312	1.063	2.375	2.167	2.042	0.562	4.000
2.125	2.798	2.875	3.360	5.859	4.355	1.601	2.312	0.593	2.375	2.167	2.042	0.687	4.469
2.250	2.923	3.000	3.485	6.500	4.355	1.601	2.312	0.593	2.375	2.167	2.042	0.687	4.566
2.375	3.048	3.125	3.610	6.500	4.545	1.717	2.466	0.625	2.528	2.204	2.079	0.687	4.719
2.500	3.301	3.375	3.891	6.750	4.545	1.717	2.563	0.625	2.625	2.107	1.982	0.687	5.000
2.625	3.551	3.625	4.062	6.750	4.594	1.625	2.500	0.625	2.562	2.219	2.094	0.687	5.170
2.750	3.551	3.625	4.062	6.750	4.594	1.625	2.500	0.625	2.562	2.219	2.094	0.687	5.170
2.875	3.614	3.750	4.186	7.000	4.594	1.725	2.500	0.625	2.562	2.219	2.094	0.687	5.312
3.000	3.864	4.000	4.469	7.750	4.594	1.787	2.562	0.685	2.625	2.157	2.032	0.812	5.720
3.125	4.022	4.125	4.600	7.875	4.687	1.593	2.562	*	2.687	2.250	2.125	0.812	5.845
3.250	4.022	4.134	4.600	7.437	4.687	1.593	2.510	*	2.635	2.302	2.177	0.812	5.845
3.375	4.246	4.375	4.850	8.125	4.687	1.593	2.562	*	2.687	2.250	2.125	0.812	6.095
3.500	4.371	4.500	4.975	8.250	4.687	1.593	2.562	*	2.687	2.250	2.125	0.812	6.220
3.625	4.500	4.625	5.100	8.375	4.687	1.593	2.562	*	2.687	2.250	2.125	0.687	6.250
3.750	4.625	4.724	5.199	8.750	4.687	1.593	2.562	*	2.687	2.250	2.125	0.687	6.770
3.875	4.750	4.875	5.375	8.750	4.687	1.593	2.562	*	2.687	2.250	2.125	0.812	6.636
4.000	4.875	5.000	5.500	9.000	4.687	1.593	2.562	*	2.687	2.250	2.125	0.812	6.761
4.125	5.000	5.125	5.625	9.000	4.687	1.593	2.562	*	2.687	2.250	2.125	0.812	6.886
4.250	5.125	5.250	5.750	9.250	4.687	1.593	2.562	*	2.687	2.250	2.125	0.812	7.011
4.500	5.375	5.500	6.000	9.500	4.687	1.593	2.562	*	2.687	2.250	2.125	0.812	7.261
4.750	5.625	5.750	6.313	10.375	4.687	1.593	2.562	*	2.687	2.250	2.125	0.812	7.574
5.000	6.125	6.760	7.260	12.000	5.515	1.749	3.043	*	3.168	2.598	2.473	0.812	10.000
5.250	6.375	7.010	7.510	12.250	5.515	1.749	3.043	*	3.168	2.598	2.473	0.812	10.250
5.500	6.625	7.500	8.000	12.687	5.515	1.749	3.043	*	3.168	2.598	2.473	0.937	10.500

Type 5620/5620PR Oversize Bore Dimensional Data (inches)

Seal Size/D1 (inches)	D4		D26	L12	L23	L39	L56	L90	L91	L92	M	N	
	D3	Min.											Max.
1.375	1.939	2.875	3.023	5.375	3.851	1.446	2.062	0.625	2.125	1.914	1.789	0.562	4.062
1.750	2.406	3.500	3.925	6.500	3.995	1.487	2.125	0.656	2.187	1.995	1.870	0.687	5.093
1.875	2.549	3.625	3.734	6.500	3.995	1.487	2.125	0.656	2.187	1.995	1.870	0.687	5.093
2.125	2.798	3.875	4.250	7.156	4.355	1.570	2.282	0.749	2.407	2.198	2.073	0.687	5.687
2.500	3.301	4.750	4.875	8.000	4.545	1.697	2.407	0.656	2.532	2.263	2.138	0.687	6.062
2.625	3.551	4.625	4.740	8.000	4.594	1.788	2.500	0.749	2.562	2.219	2.094	0.687	6.062
2.750	3.551	4.750	4.875	8.000	4.594	1.697	2.407	0.656	2.532	2.312	2.187	0.687	6.062

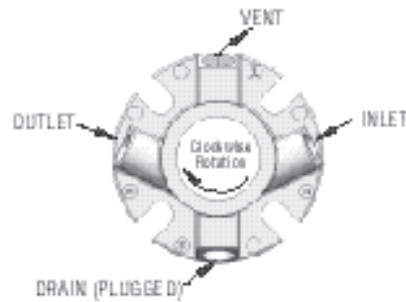
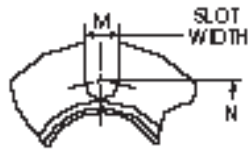
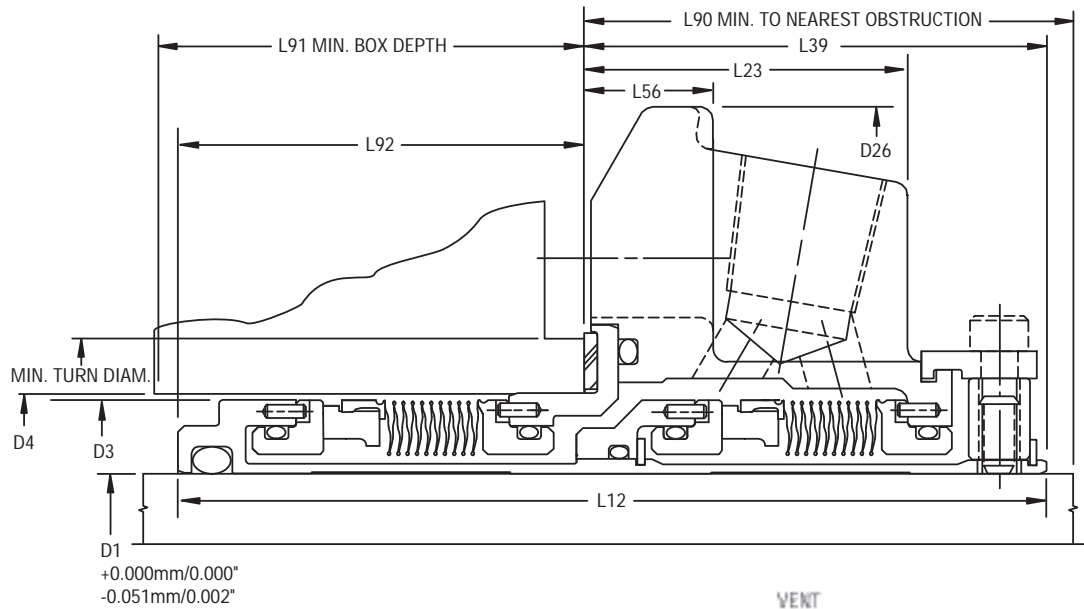
TYPE 5620/5620PR

Type 5620/5620PR Dimensional Data (mm)

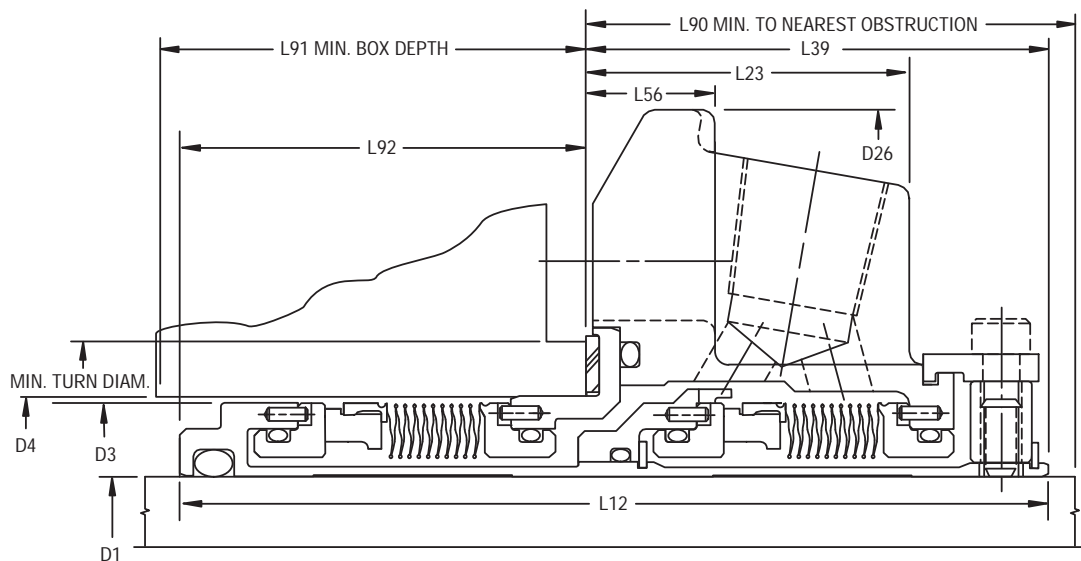
Seal Size/D1 (mm)	Seal Size Code	D4		D26	L12	L23	L39	L56	L90	L91	L92	M	N
		D3	Min. Max.										
24	0240	39.7	41.3 48.0	101.6	94.1	34.4	49.6	13.5	50.8	47.7	44.5	13.3	71.2
25	0250	39.7	41.3 48.0	101.6	94.1	34.4	49.6	13.5	50.8	47.7	44.5	13.3	71.2
28	0280	42.9	44.5 51.2	104.8	97.8	36.7	52.4	13.5	54.0	48.6	45.4	13.3	74.5
30	0300	44.5	46.1 56.5	108.0	97.8	36.7	52.4	13.5	54.0	48.6	45.4	13.3	79.9
32	0320	46.0	47.6 58.3	108.0	97.8	36.7	52.4	13.5	54.0	48.6	45.4	13.3	81.6
33	0330	49.3	50.8 61.5	111.1	97.8	36.7	52.4	13.5	54.0	48.6	45.4	13.3	84.8
35	0350	49.3	50.8 61.5	111.1	97.8	36.7	52.4	13.5	54.0	48.6	45.4	13.3	84.8
38	0380	55.5	57.2 68.1	123.8	101.5	37.8	54.0	15.1	55.5	50.7	47.5	13.3	91.4
40	0400	58.7	60.3 71.4	127.0	101.5	37.8	54.0	15.1	55.5	50.7	47.5	14.3	95.7
43	0430	61.1	63.0 74.1	133.4	101.5	37.8	54.0	15.1	55.5	50.7	47.5	14.3	98.4
45	0450	61.1	63.0 74.1	133.4	101.5	37.8	54.0	15.1	55.5	50.7	47.5	14.3	98.4
48	0480	64.7	66.7 74.1	133.4	101.5	37.8	54.0	15.1	55.5	50.7	47.5	14.3	98.4
50	0500	67.9	70.0 76.6	139.7	110.6	40.7	58.7	27.0	60.3	55.0	51.9	14.3	101.6
53	0530	71.1	73.0 85.3	148.8	110.6	40.7	58.7	15.1	60.3	55.0	51.9	17.4	113.5
55	0550	72.9	75.0 85.3	148.8	110.6	40.7	58.7	15.1	60.3	55.0	51.9	17.4	113.5
58	0580	74.2	76.2 88.5	165.1	110.6	40.7	58.7	15.1	60.3	55.0	51.9	17.4	116.0
60	0600	77.4	79.4 91.7	165.1	115.4	43.6	62.6	15.9	64.2	56.0	52.8	17.4	119.9
63	0630	83.8	85.7 98.8	171.5	115.4	43.6	65.1	15.9	66.7	53.5	50.3	17.4	127.0
65	0650	83.8	85.7 98.8	171.5	115.4	43.6	65.1	15.9	66.7	53.5	50.3	17.4	127.0
68	0680	90.2	92.1 103.2	171.5	116.7	41.3	63.5	15.9	65.1	56.4	53.2	17.4	131.3
70	0700	90.2	92.1 103.2	171.5	116.7	41.3	63.5	15.9	65.1	56.4	53.2	17.4	131.3
75	0750	98.1	101.6 113.5	196.9	116.7	45.4	65.1	17.4	66.7	54.8	51.6	20.6	145.3
80	0800	102.2	105.0 116.8	188.9	119.0	40.5	63.8	*	66.9	58.5	55.3	20.6	148.5
85	0850	107.9	111.1 123.2	206.4	119.0	40.5	65.1	*	68.3	57.2	54.0	20.6	154.8
90	0900	114.3	117.5 129.5	212.7	119.0	40.5	65.1	*	68.3	57.2	54.0	17.5	158.6
95	0950	117.5	120.0 132.1	222.3	119.0	40.5	65.1	*	68.3	57.2	54.0	17.5	172.0
100	1000	123.8	127.0 139.7	228.6	119.0	40.5	65.1	*	68.3	57.2	54.0	20.6	171.7
105	1050	127.0	130.2 142.9	228.6	119.0	40.5	65.1	*	68.3	57.2	54.0	20.6	174.9
110	1100	136.5	139.7 152.4	241.3	119.0	40.5	65.1	*	68.3	57.2	54.0	20.6	184.4
115	1150	136.5	139.7 152.4	241.3	119.0	40.5	65.1	*	68.3	57.2	54.0	20.6	184.4
120	1200	142.9	146.1 160.4	263.5	119.0	40.5	65.1	*	68.3	57.2	54.0	20.6	192.4
125	1250	155.6	171.7 184.4	304.8	140.1	44.4	77.3	*	80.5	66.0	62.8	20.6	254.0
130	1300	161.9	178.1 190.8	311.2	140.1	44.4	77.3	*	80.5	66.0	62.8	20.6	260.4
135	1350	168.3	190.5 203.2	322.3	140.1	44.4	77.3	*	80.5	66.0	62.8	20.8	266.7
140	1400	168.3	190.5 203.2	322.3	140.1	44.4	77.3	*	80.5	66.0	62.8	20.8	266.7

TYPE 5625/5625PR

Type 5625 Typical Arrangement/Dimensional Data



Type 5625PR Typical Arrangement/Dimensional Data



TYPE 5625/5625PR

Type 5625/5625PR Dimensional Data (inches)

Seal Size/D1 (inches)	D4												
	D3	Min.	Max.	D26	L12	L23	L39	L56	L90	L91	L92	M	N
1.000	1.564	1.625	1.889	4.000	3.705	1.353	1.954	0.531	2.000	1.876	1.751	0.525	2.805
1.125	1.689	1.750	2.015	4.125	3.851	1.446	2.062	0.531	2.125	1.914	1.789	0.525	2.933
1.250	1.812	1.875	2.294	4.250	3.851	1.446	2.062	0.531	2.125	1.914	1.789	0.525	3.213
1.375	1.939	2.000	2.421	4.375	3.851	1.446	2.062	0.531	2.125	1.914	1.789	0.525	3.338
1.500	2.187	2.250	2.680	4.875	3.995	1.487	2.125	0.593	2.187	1.995	1.870	0.525	3.599
1.625	2.312	2.375	2.812	5.000	3.995	1.487	2.125	0.593	2.187	1.995	1.870	0.562	3.766
1.750	2.420	2.480	2.918	5.250	3.995	1.487	2.125	0.593	2.187	1.995	1.870	0.562	3.875
1.875	2.562	2.625	2.918	5.250	3.995	1.487	2.125	0.593	2.187	1.995	1.870	0.562	3.875
2.000	2.687	2.750	3.015	5.500	4.355	1.601	2.312	1.063	2.375	2.167	2.042	0.562	4.000
2.125	2.812	2.875	3.360	5.859	4.355	1.601	2.312	0.593	2.375	2.167	2.042	0.687	4.469
2.250	2.937	3.000	3.485	6.500	4.355	1.601	2.312	0.593	2.375	2.167	2.042	0.687	4.566
2.375	3.062	3.125	3.610	6.500	4.545	1.717	2.466	0.625	2.528	2.204	2.079	0.687	4.719
2.500	3.312	3.375	3.891	6.750	4.545	1.717	2.563	0.625	2.625	2.107	1.982	0.687	5.000
2.625	3.562	3.625	4.062	6.750	4.594	1.625	2.500	0.625	2.562	2.219	2.094	0.687	5.170
2.750	3.562	3.625	4.062	6.750	4.594	1.625	2.500	0.625	2.562	2.219	2.094	0.687	5.170
2.875	3.687	3.750	4.186	7.000	4.594	1.725	2.500	0.625	2.562	2.219	2.094	0.687	5.312
3.000	3.937	4.000	4.469	7.750	4.594	1.787	2.562	0.685	2.625	2.157	2.032	0.812	5.720

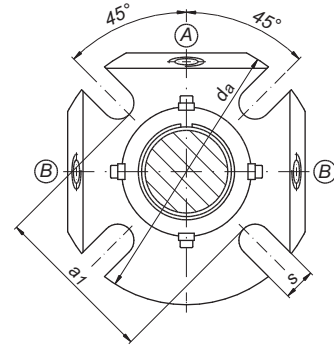
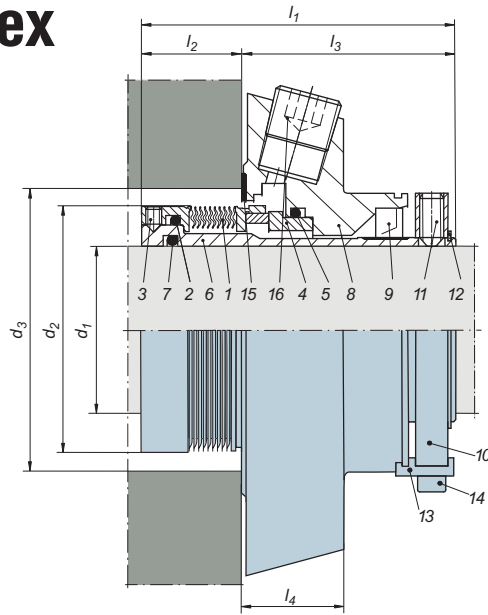
Type 5625/5625PR Oversize Bore Dimensional Data (inches)

Seal Size/D1 (inches)	D4													Min. Turn Diam.
	D3	Min.	Max.	D26	L12	L23	L39	L56	L90	L91	L92	M	N	
1.375	1.939	2.875	3.023	5.375	3.851	1.446	2.062	0.625	2.125	1.914	1.789	0.562	4.062	3.268
1.750	2.420	3.500	3.925	6.500	3.995	1.487	2.125	0.656	2.187	1.995	1.870	0.687	5.093	3.885
1.875	2.562	3.625	3.734	6.500	3.995	1.487	2.125	0.656	2.187	1.995	1.870	0.687	5.093	4.006
2.125	2.798	3.875	4.250	7.156	4.355	1.570	2.282	0.749	2.407	2.198	2.073	0.687	5.687	4.264
2.500	3.312	4.750	4.875	8.000	4.545	1.697	2.407	0.656	2.532	2.263	2.138	0.687	6.062	5.139
2.625	3.562	4.625	4.740	8.000	4.594	1.788	2.500	0.749	2.562	2.219	2.094	0.687	6.062	5.000
2.750	3.551	4.750	4.875	8.000	4.594	1.697	2.407	0.656	2.532	2.312	2.187	0.687	6.062	5.139

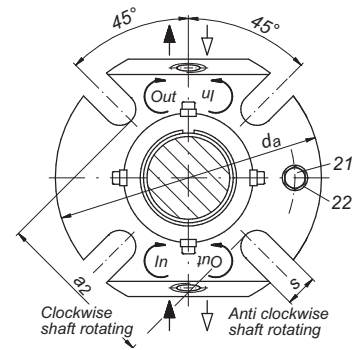
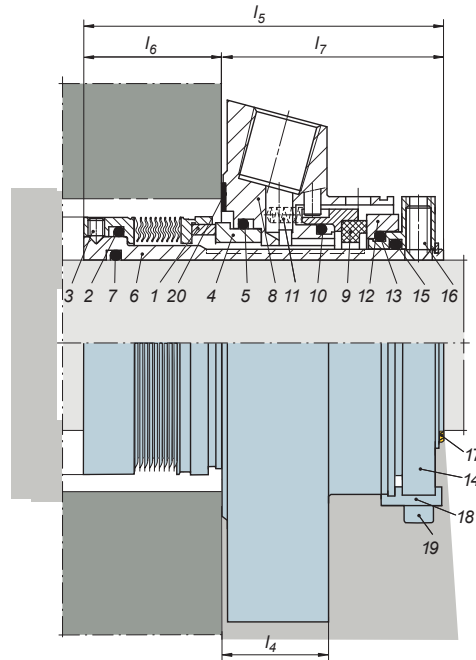
Type 5625/5625PR Dimensional Data (mm)

Seal Size/D1 (mm)	Seal Size Code	D4												
		D3	Min.	Max.	D26	L12	L23	L39	L56	L90	L91	L92	M	N
24	0240	39.7	41.3	48.0	101.6	94.1	34.4	49.6	13.5	50.8	47.7	44.5	13.3	71.2
25	0250	39.7	41.3	48.0	101.6	94.1	34.4	49.6	13.5	50.8	47.7	44.5	13.3	71.2
28	0280	42.9	44.5	51.2	104.8	97.8	36.7	52.4	13.5	54.0	48.6	45.4	13.3	74.5
30	0300	44.8	46.1	56.5	108.0	97.8	36.7	52.4	13.5	54.0	48.6	45.4	13.3	79.9
32	0320	46.0	47.6	58.3	108.0	97.8	36.7	52.4	13.5	54.0	48.6	45.4	13.3	81.6
33	0330	49.3	50.8	61.5	111.1	97.8	36.7	52.4	13.5	54.0	48.6	45.4	13.3	84.8
35	0350	49.3	50.8	61.5	111.1	97.8	36.7	52.4	13.5	54.0	48.6	45.4	13.3	84.8
38	0380	55.6	57.2	68.1	123.8	101.5	37.8	54.0	15.1	55.5	50.7	47.5	13.3	91.4
40	0400	58.7	60.3	71.4	127.0	101.5	37.8	54.0	15.1	55.5	50.7	47.5	14.3	95.7
43	0430	61.5	63.0	74.1	133.4	101.5	37.8	54.0	15.1	55.5	50.7	47.5	14.3	98.4
45	0450	61.5	63.0	74.1	133.4	101.5	37.8	54.0	15.1	55.5	50.7	47.5	14.3	98.4
48	0480	65.1	66.7	74.1	133.4	101.5	37.8	54.0	15.1	55.5	50.7	47.5	14.3	98.4
50	0500	68.3	70.0	76.6	139.7	110.6	40.7	58.7	27.0	60.3	55.0	51.9	14.3	101.6
53	0530	71.4	73.0	85.3	148.8	110.6	40.7	58.7	15.1	60.3	55.0	51.9	17.4	113.5
55	0550	73.0	75.0	85.3	148.8	110.6	40.7	58.7	15.1	60.3	55.0	51.9	17.4	113.5
58	0580	74.6	76.2	88.5	165.1	110.6	40.7	58.7	15.1	60.3	55.0	51.9	17.4	116.0
60	0600	77.8	79.4	91.7	165.1	115.4	43.6	62.6	15.9	64.2	56.0	52.8	17.4	119.9
63	0630	84.1	85.7	98.8	171.5	115.4	43.6	65.1	15.9	66.7	53.5	50.3	17.4	127.0
65	0650	84.1	85.7	98.8	171.5	115.4	43.6	65.1	15.9	66.7	53.5	50.3	17.4	127.0
68	0680	90.5	92.1	103.2	171.5	116.7	41.3	63.5	15.9	65.1	56.4	53.2	17.4	131.3
70	0700	90.5	92.1	103.2	171.5	116.7	41.3	63.5	15.9	65.1	56.4	53.2	17.4	131.3
75	0750	100.0	101.6	113.5	196.9	116.7	45.4	65.1	17.4	66.7	54.8	51.6	20.6	145.3

Mtex



Connections: 1/4" NPT ($d_1 < 38$ mm)
3/8" NPT ($d_1 > 38$ mm)



Connections: 1/4" NPT ($d_1 < 38$ mm)
3/8" NPT ($d_1 > 38$ mm)

Mtex-DN

d_1	d_2	$d_{3min.}$	$d_{3max.}$	l_1	l_2	l_3	l_4	l_5	l_6	l_7	d_a	a_1	s
25	45.0	47.0	51.0	79.5	26.1	53.4	25.4	87.0	33.6	53.4	105.0	62.0	13.2
30	49.4	52.0	56.0	78.4	25.0	53.4	25.4	86.5	33.1	53.4	105.0	67.0	13.2
32	52.3	54.5	57.0	78.4	25.0	53.4	25.4	86.5	33.1	53.4	108.0	70.0	13.2
33	52.3	54.5	57.0	78.4	25.0	53.4	25.4	86.5	33.1	53.4	108.0	70.0	13.2
35	54.8	58.0	61.5	78.4	25.0	53.4	25.4	86.5	33.1	53.4	113.0	72.0	13.2
38	57.5	60.0	66.0	78.4	25.0	53.4	25.4	86.5	33.1	53.4	123.0	75.0	14.0
40	58.8	62.0	68.0	78.2	24.8	53.4	25.4	86.3	32.9	53.4	123.0	77.0	14.2
43	61.9	64.5	70.5	78.4	25.0	53.4	25.4	86.5	33.1	53.4	133.0	80.0	14.2
45	65.0	68.5	73.0	78.4	25.0	53.4	25.4	86.5	33.1	53.4	138.0	82.0	14.2
48	68.4	71.0	75.0	78.7	25.3	53.4	25.4	86.8	33.4	53.4	138.0	85.0	14.2
50	70.0	73.0	78.0	79.1	25.7	53.4	25.4	87.2	33.8	53.4	148.0	87.0	14.2
53	71.9	75.0	87.0	77.8	24.4	53.4	25.4	87.4	34.0	53.4	148.0	97.0	18.0
55	74.6	77.0	83.0	78.9	25.5	53.4	25.4	87.0	33.6	53.4	148.0	92.0	18.0
60	83.9	87.0	91.0	80.1	26.7	53.4	25.4	88.2	34.8	53.4	157.0	102.0	18.0
65	87.5	90.0	98.5	80.0	26.6	53.4	25.4	88.1	34.7	53.4	163.0	109.3	18.0
70	93.0	98.0	108.0	81.5	28.1	53.4	25.4	89.6	36.2	53.4	178.0	118.3	18.0
75	96.8	101.6	118.0	94.4	30.5	63.9	28.0	107.4	43.5	63.9	190.0	129.0	18.0
80	104.7	108.0	124.0	94.4	30.4	64.0	28.0	106.8	42.9	63.9	195.0	135.0	18.0

