
Yiwushi Minghao Electronic Commerce



SSiC & SiC & TC & Carbon Rings
Elastomer Bellows Seals
Component Seals
Metal Bellows Seals
Cartridge Seals
Agitator Seals



Mobile:+86-18322017903

E-mail:jade.li@albatrossseal.com

Web:www.albatrossseal.com

ADD: NO.60-1-402,ShengQinXiYuan,HaiGang Distrit, Qinhuangdao City,China

Mechanical Seals Catalogue



Yiwushi Minghao Electronic Commerce was Established By Jade.Li, in Province of HeBei,China, In 2020.

It is a professional designer and manufacturer that is concerned with production of Mechanical Seals.

With more than 10 years of work Experience dealing with Mechanical Seals to serve the World.

Covering Component Seals, Cartridge Seals, Metal Bellows, Rubber Bellows,Etc

Our clients are mainly from Europe,Mexico,America,South Africa,Etc.

For Mechanical Seals, We can do perfect.

Contact Me. Let us Mutual Benefit.



Mobile:+86-18322017903

E-mail:jade.li@albatrossseal.com

Web:www.albatrossseal.com

ADD: NO.60-1-402,ShengQinXiYuan,HaiGang Distrit, Qinhuangdao City,China



MH891



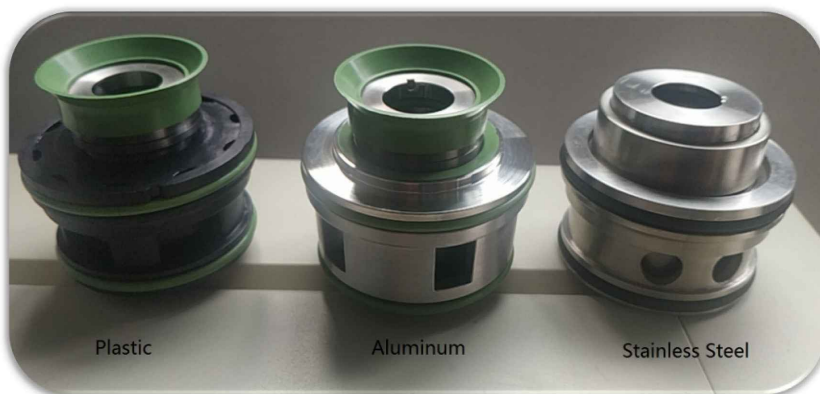
Seals for Twin screw pumps



Customized



With Pump Screw Ring



FLYGT Seals



Customized

Mobile:+86-18322017903

E-mail:jade.li@albatrossseal.com

Web:www.albatrossseal.com

ADD: NO.60-1-402,ShengQinXiYuan,HaiGang Distrit, Qinhuangdao City,China



SSiC Sleeve



Parts



MH-MFL85N



MH270



Replacement of Waukesha



Testing

Mobile:+86-18322017903

E-mail:jade.li@albatrossseal.com

Web:www.albatrossseal.com

ADD: NO.60-1-402,ShengQinXiYuan,HaiGang Distrit, Qinhuangdao City,China

Contents

Section1: Stationary

G9/G6-----	1
G16/G60-----	2
G4/G13-----	3
BP/BO-----	4
W21/W31-----	5
V-----	6
AG-----	7

Section2: Component Seal

MH1-----	8
MH2-----	9
MH-MG1/MG12/MG13/MG1S20-----	10
MH-MG9-----	11
MH2100-----	12
MH502-----	13
MH-M3N-----	14
MH-M32/M37G-----	15
MH-M7N/M74/M7F-----	16
MH-M74-D/M74F-D-----	17
MH-HJ92N-----	18
MH-H7N/H75/H75VN/H7F/H75F-----	19
MH-H74D/H74F-D-----	20
MH-HRN-----	21
MH-H10-----	22
MH-58U/59U-----	23
MH-58B/59B-----	24
MH8-1/9-1-----	25
MH8B-1/9B-1-----	26
MH8-1T/9-1T-----	27
MH8B-1T/9B-1T-----	28

MH877/877-UNITEN-----	29
MH196-----	30
MH-RO-A-----	31
MH-RO-B-----	32
MH891-----	33/34
MH491-----	35
MH440-----	36

Section3: Metal Bellows Seal

MH670/676/680-----	37/38
MH609-----	39
MH606-----	40
MH-MFL85N/MFLWT80-----	41
MH-MF95N-----	42
MH-BSAI-----	43
MH-DIN-BSAI-----	44
MH-BSAIG-----	45
MH886-----	46
MH886HT-----	47

Section4: Cartridge Seal

MH-CARTEX-DN-----	48/49
MH-CARTEX-SN-----	50/51
MH-MTEX-DN-----	52
MH-MTEX-QN-----	53
MH-UNITEX-----	54/55
MH-CHE150-----	56/57
MH-CHE155-----	58/59/60/61
MH290/291-----	62
MH-CDPN-----	63/64
MH-CSSN-----	65/66

Mobile:+86-18322017903

E-mail:jade.li@albatrossseal.com

Web:www.albatrossseal.com

ADD: NO.60-1-402,ShengQinXiYuan,HaiGang Distrit, Qinhuangdao City,China

Contents

MH-Convertor II-----	67/68
MH-CURC-----	69/70
MH5610-----	71/72
MH5610Q-----	73/74
MH5611-----	75/76
MH5611Q-----	77/78
MH-S10/S20-----	79
MH-BED-----	80
MH270-----	81
MH322-----	82
Section5: Special Seal Installation Data	
MH-SE2-AP-----	83
MH-CARTEX-S10/120-E1/E2-----	84
MH-Waukesha-38.1/50.8-----	85



Mobile:+86-18322017903

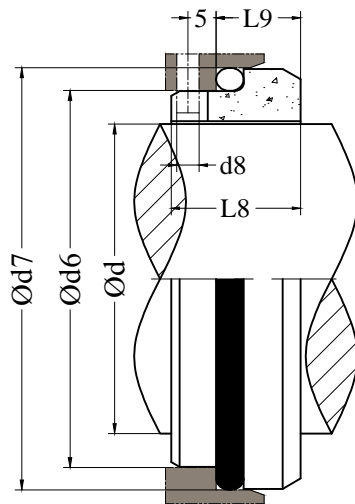
E-mail:jade.li@albatrossseal.com

Web:www.albatrossseal.com

ADD: NO.60-1-402,ShengQinXiYuan,HaiGang Distrit, Qinhuangdao City,China

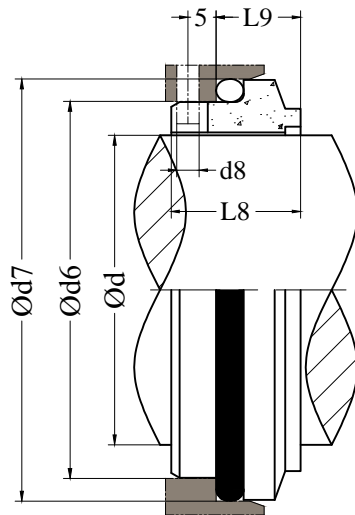
Stationary

G9 (TC/SiC/SSiC)



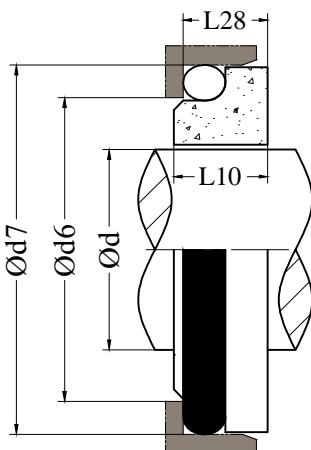
To EN 12756
Replacement of Burgmann G9

G9 (Carbon)



To EN 12756
Replacement of Burgmann G9

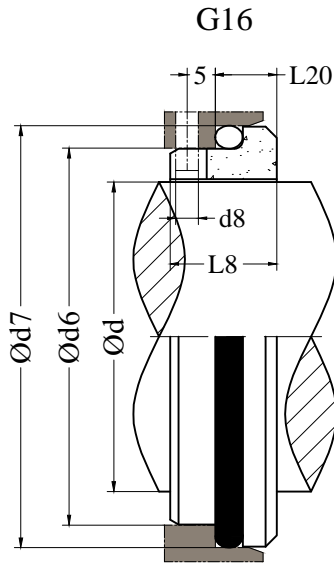
G6



To EN 12756
Replacement of Burgmann G6

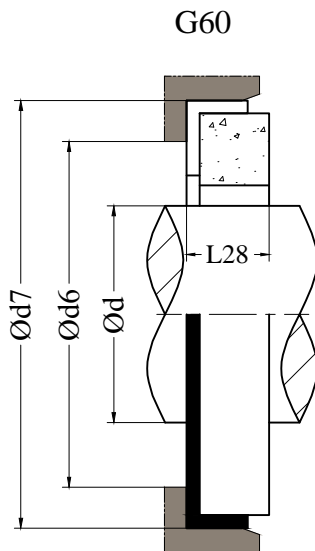
G9/G6 (mm)			G9			G6	
d	d6	d7	d8	L8	L9	L10	L28
10	17	21	3	17.5	10	7.5	6.6
12	19	23	3	17.5	10	7.5	6.6
14	21	25	3	17.5	10	7.5	6.6
15	—	—	—	—	—	—	—
16	23	27	3	17.5	10	7.5	6.6
18	27	33	3	19.5	11.5	8.5	7.5
19	—	—	—	—	—	—	—
20	29	35	3	19.5	11.5	8.5	7.5
22	31	37	3	19.5	11.5	8.5	7.5
24	33	39	3	19.5	11.5	8.5	7.5
25	34	40	3	19.5	11.5	8.5	7.5
28	37	43	3	19.5	11.5	8.5	7.5
30	39	45	3	19.5	11.5	8.5	7.5
32	42	48	3	19.5	11.5	8.5	7.5
33	42	48	3	19.5	11.5	8.5	7.5
35	44	50	3	19.5	11.5	8.5	7.5
38	49	56	4	22	14	10	9
40	51	58	4	22	14	10	9
42	—	—	—	—	—	—	—
43	54	61	4	22	14	10	9
45	56	63	4	22	14	10	9
48	59	66	4	22	14	10	9
50	62	70	4	23	15	10.5	9.5
53	65	73	4	23	15	12	11
55	67	75	4	23	15	12	11
58	70	78	4	23	15	12	11
60	72	80	4	23	15	12	11
65	77	85	4	23	15	12	11
68	81	90	4	26	18	12.5	11.3
70	83	92	4	26	18	12.5	11.3
75	88	97	4	26	18	12.5	11.3
80	95	105	4	26.2	18.2	13	12
85	100	110	4	26.2	18.2	15	14
90	105	115	4	26.2	18.2	15	14
95	110	120	4	25.2	17.2	15	14
100	115	125	4	25.2	17.2	15	14

Stationary



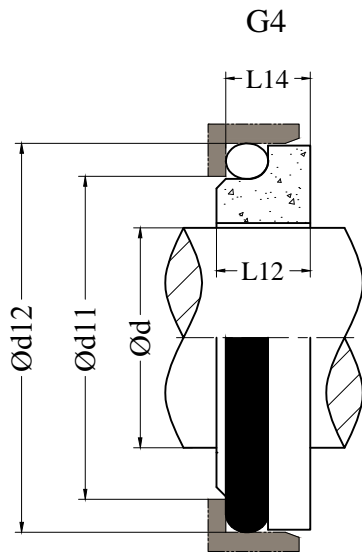
To EN 12756
Replacement of Burgmann G16

G60/G16 (mm)			G60	G16	
d	d6	d7	L28	L8	L20
14	21	25	6.6	-	-
16	23	27	6.6	-	-
18	27	33	7.5	15	7
20	29	35	7.5	15	7
22	31	37	7.5	15	7
24	33	39	7.5	15	7
25	34	40	7.5	15	7
28	37	43	7.5	15	7
30	39	45	7.5	15	7
32	42	48	7.5	15	7
33	42	48	7.5	15	7
35	44	50	7.5	15	7
38	49	56	9	16	8
40	51	58	9	16	8
43	54	61	9	16	8
45	56	63	9	16	8
48	59	66	9	16	8
50	62	70	9.5	17	9.5
53	65	73	11	17	9.5
55	67	75	11	17	9.5
58	70	78	11	18	10.5
60	72	80	11	18	10.5
63	75	83	11	18	10.5
65	77	85	11	18	10.5
68	81	90	11.3	18.5	11
70	83	92	11.3	19	11.5
75	88	97	11.3	19	11.5
80	95	105	12	19	11.5
85	100	110	14	19	11.5
90	105	115	14	20.5	13
95	110	120	14	20.5	13
100	115	125	14	20.5	13

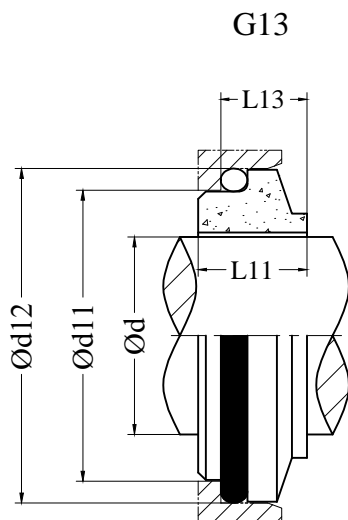


To EN 12756
Replacement of Burgmann G60

Stationary



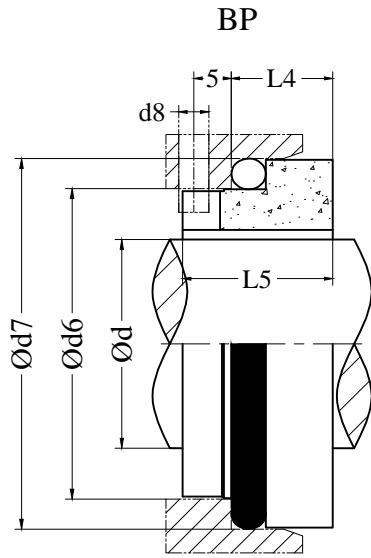
To DIN 24250
Replacement of Burgmann G4



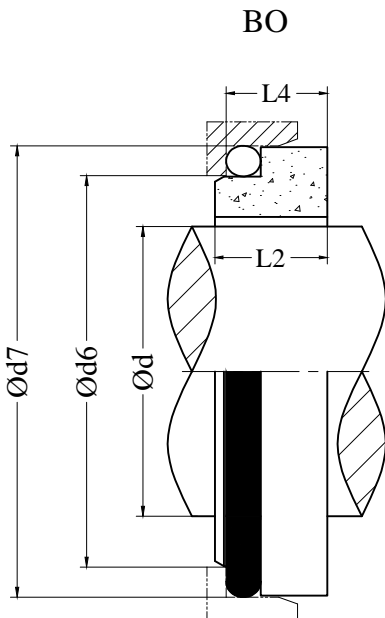
To DIN 24250
Replacement of Burgmann G13

G4/G13 (mm)			G4		G13	
d	d11	d12	L12	L14	L11	L13
14	20.5	24.6	6.5	5.6	10	7.6
16	22	28	8.5	7.5	11.5	9
18	24	30	9	8	12.5	10
20	29.5	35	8.5	7.5	12.5	9.5
22	29.5	35	8.5	7.5	12.5	9.5
24	32	38	8.5	7.5	12.5	9.5
25	32	38	8.5	7.5	12.5	9.5
28	36	42	10	9	14	11
30	39.2	45	11.5	10.5	14	11
32	42.2	48	11.5	10.5	14	11
33	44.2	50	12	10.5	14.5	11.5
35	46.2	52	12	11	14.5	11.5
38	49.2	55	11.3	10.3	14.5	11.5
40	52.2	58	11.8	10.8	14.5	11.5
43	53.3	62	13.2	12	17	14.3
45	55.3	64	12.8	11.6	17	14.3
48	59.7	68.4	12.8	11.6	17	14.3
50	60.8	69.3	12.8	11.6	17	14.3
53	63.8	72.3	13.5	12.3	17	14.3
55	66.5	75.4	14.5	13.3	18	15.3
58	69.5	78.4	14.5	13.3	18	15.3
60	71.5	80.4	14.5	13.3	18	15.3
63	74.5	83.4	14.2	13.3	18	15.3
65	76.5	85.4	14.2	13	18	15.3
68	82.7	91.5	14.9	13.7	19	16
70	83	92	14.2	13	18	15.3
75	90.2	99	15.2	14	18	15.3
80	95.2	104	16.2	15	19	16.3
85	100.2	109	16	14.8	19	16.3
90	105.2	114	16	14.8	19	16.3
95	111.6	120.3	17	15.8	20	17.3
100	114.5	123.3	17	15.8	20	17.3

Stationary



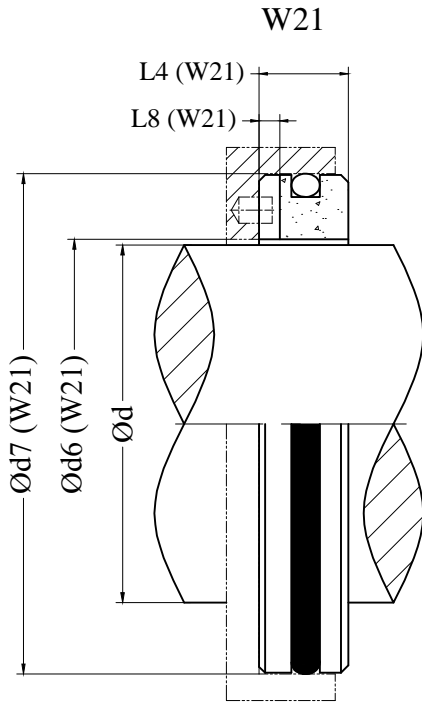
To EN 12756
Replacement of JohnCrane BP



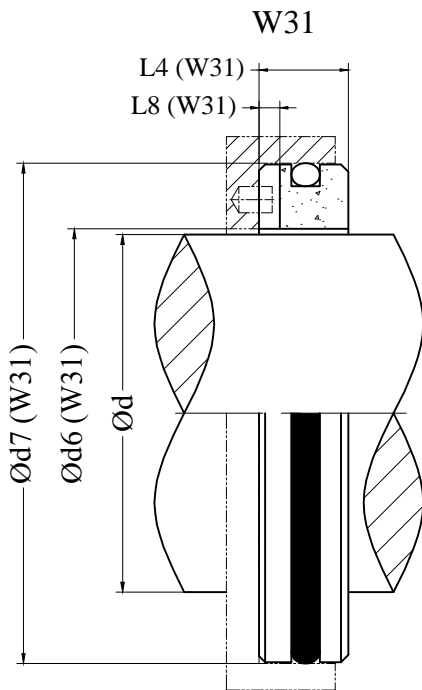
To EN 12756
Replacement of JohnCrane BO

BP/BO (mm)				BP		BO
d	d6	d7	L4	d8	L5	L2
14	21	25	12	3	18.5	12.8
16	23	27	12	3	18.5	12.8
18	27	33	13.5	3	20.5	14.5
20	29	35	13.5	3	20.5	14.5
22	31	37	13.5	3	20.5	14.5
24	33	39	13.3	3	20.3	14.3
25	34	40	13	3	20	14
28	37	43	12.5	3	19.5	13.5
30	39	45	12	3	19	13
32	42	48	12	3	19	13
33	42	48	12	3	19	13
35	44	50	12	3	19	13
38	49	56	13	4	20	14
40	51	58	13	4	20	14
43	54	61	13	4	20	14
45	56	63	13	4	20	14
48	59	66	13	4	20	14
50	62	70	13.5	4	20.5	14.5
53	65	73	13.5	4	20.5	14.5
55	67	75	13.5	4	20.5	14.5
58	70	78	13.5	4	20.5	14.2
60	72	80	13.5	4	20.5	14.2
63	75	83	13.5	4	20.5	14.2
65	77	85	13.5	4	20.5	14.2
68	81	90	13.5	4	20.5	14.2
70	83	92	14.5	4	21.5	15.2
75	88	97	14.5	4	21.5	15.2
80	95	105	15	4	22	15.7
85	100	110	15	4	22	15.7
90	105	115	15	4	22	15.7
95	110	120	15	4	22	15.7
100	115	125	15	4	22	15.7

Stationary



Type W21 stationary seat ,
to suit common UK housing sizes.
Replacement of Vulcan TYPE 21

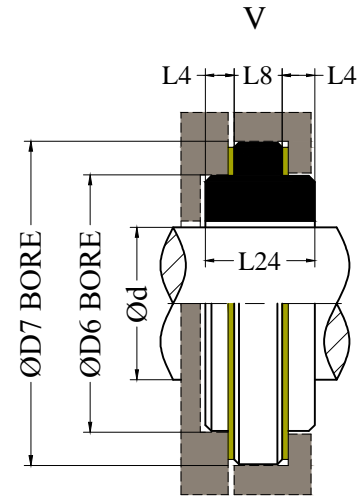


Type 31 stationary, to suit
common originally American housing sizes.
Replacement of Vulcan TYPE 31

shaft size	W21				W31			
	d6 (W21) (mm)	d7 (W21) (mm)	L4 (W21) (mm)	L8 (W21) (mm)	d6 (W31) (mm)	d7 (W31) (mm)	L4 (W31) (mm)	L8 (W31) (mm)
0.375	11.00	24.60	8.70	-	11.00	22.23	7.92	-
0.500	13.50	27.80	8.70	-	13.50	25.40	7.92	-
0.625	17.00	30.95	10.30	2.00	17.00	31.75	10.31	2.00
0.750	20.00	34.15	10.30	2.00	20.00	34.93	10.31	2.00
0.875	23.00	37.30	10.30	2.00	23.00	38.10	10.31	2.00
1.000	26.50	40.50	10.30	2.00	26.50	41.28	11.10	2.00
1.125	29.50	47.65	11.90	2.50	29.50	44.45	11.10	2.50
1.250	32.50	50.80	11.90	2.50	32.50	47.63	11.10	2.50
1.375	36.50	54.00	11.90	2.50	36.50	50.80	11.10	2.50
1.500	39.50	57.15	11.90	2.50	39.50	53.98	11.10	2.50
1.625	42.50	60.35	11.90	2.50	42.50	60.33	12.70	2.50
1.750	46.00	63.50	11.90	2.50	46.00	63.50	12.70	2.50
1.875	49.00	66.70	11.90	2.50	49.00	66.68	12.70	2.50
2.000	52.00	69.85	13.50	3.00	52.00	69.85	12.70	3.00
2.125	55.50	73.05	13.50	3.00	55.50	76.20	14.30	3.00
2.250	58.50	76.20	13.50	3.00	58.50	79.38	14.30	3.00
2.375	61.50	79.40	13.50	3.00	61.50	82.55	14.30	3.00
2.500	65.00	82.55	13.50	3.00	65.00	85.73	14.30	3.00
2.625	68.00	92.10	15.90	3.00	68.00	85.73	15.90	3.00
2.750	71.00	95.25	15.90	3.00	71.00	88.90	15.90	3.00
2.875	74.50	98.45	15.90	3.00	74.50	95.25	15.90	3.00
3.000	77.50	101.60	15.90	3.00	77.50	98.43	15.90	3.00
3.125	80.50	111.15	19.90	4.00	80.50	101.60	19.89	4.00
3.250	84.00	114.30	19.90	4.00	84.00	104.78	19.89	4.00
3.375	87.00	117.50	19.90	4.00	87.00	107.95	19.89	4.00
3.500	90.50	120.65	19.90	4.00	90.50	111.13	19.89	4.00
3.625	93.50	123.85	19.90	4.00	93.50	114.30	19.89	4.00
3.750	96.50	127.00	19.90	4.00	96.50	117.48	19.89	4.00
3.875	100.00	130.20	19.90	4.00	100.00	120.65	19.89	4.00
4.000	103.00	133.35	19.90	4.00	103.00	123.83	19.89	4.00

Stationary

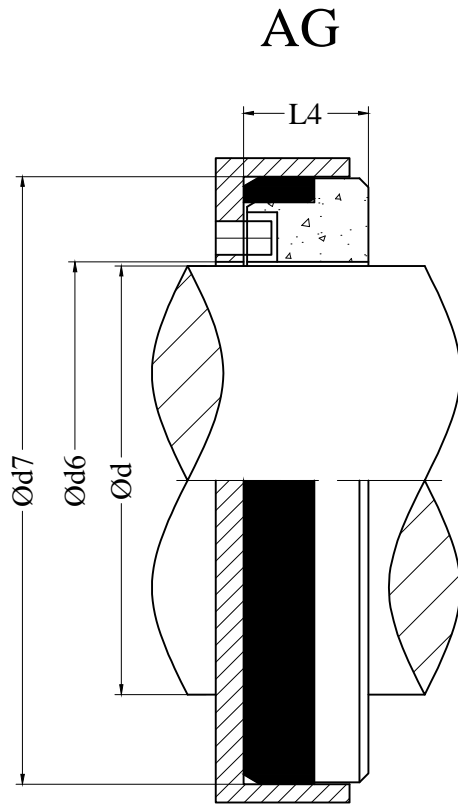
V					
Size/ Metric	D6	D7	L4	L8	L24
16	36.51	48	4.8	8	17.6
18	36.51	48	4.8	8	17.6
20	39.69	51	4.8	8	17.6
22	39.69	51	4.8	8	17.6
24	42.86	54	4.8	8	17.6
25	42.86	54	4.8	8	17.6
28	50.8	65	8	11	27
30	53.98	68	8	11	27
32	53.98	68	8	11	27
33	57.15	71	8	11	27
35	57.15	71	8	11	27
38	63.5	78	8	11	27
40	66.68	81	8	11	27
43	69.85	84	8	11	27
45	69.85	84	8	11	27
48	79.38	97	9.5	14.3	33.3
50	79.38	97	9.5	14.3	33.3
53	82.55	100	9.5	14.3	33.3
55	85.73	103	9.5	14.3	33.3
58	88.9	106	9.5	14.3	33.3
60	88.9	106	9.5	14.3	33.3
63	92.08	110	9.5	14.3	33.3
65	95.25	113	9.5	14.3	33.3
68	98.43	116	9.5	14.3	33.3
70	98.43	116	9.5	14.3	33.3
75	103.19	121	9.5	14.3	33.3
80	114.3	132	9.5	14.3	33.3
85	120.65	138	9.5	14.3	33.3
90	127	144	9.5	14.3	33.3
95	127	144	9.5	14.3	33.3
100	133.35	151	9.5	14.3	33.3



Replacement of JohnCrane V

V						
Size/ Inch	d	D6	D7	L4	L8	L24
0.750	19.05	36.51	48.00	4.80	8.00	17.60
0.875	22.23	36.69	51.00	4.80	8.00	17.60
1.000	25.40	42.86	54.00	4.80	8.00	17.60
1.125	28.58	50.80	65.00	8.00	11.00	27.00
1.250	31.75	53.98	68.00	8.00	11.00	27.00
1.375	34.93	57.15	71.00	8.00	11.00	27.00
1.500	38.10	63.50	78.00	8.00	11.00	27.00
1.625	41.28	66.68	81.00	8.00	11.00	27.00
1.750	44.45	69.85	84.00	8.00	11.00	27.00
1.875	47.63	73.03	87.00	8.00	11.00	27.00
2.000	50.80	79.38	97.00	9.50	14.30	33.30
2.125	53.98	82.55	100.00	9.50	14.30	33.30
2.250	57.15	85.73	103.00	9.50	14.30	33.30
2.375	60.33	88.90	106.00	9.50	14.30	33.30
2.500	63.50	92.08	110.00	9.50	14.30	33.30
2.625	66.68	95.25	113.00	9.50	14.30	33.30
2.750	69.85	98.43	116.00	9.50	14.30	33.30
2.875	73.03	100.01	117.00	9.50	14.30	33.30
3.000	76.20	103.49	121.00	9.50	14.30	33.30
3.250	82.55	114.30	132.00	9.50	14.30	33.30
3.500	88.90	120.65	138.00	9.50	14.30	33.30
3.750	95.25	127.00	144.00	9.50	14.30	33.30
4.000	101.60	133.35	151.00	9.50	14.30	33.30

Stationary



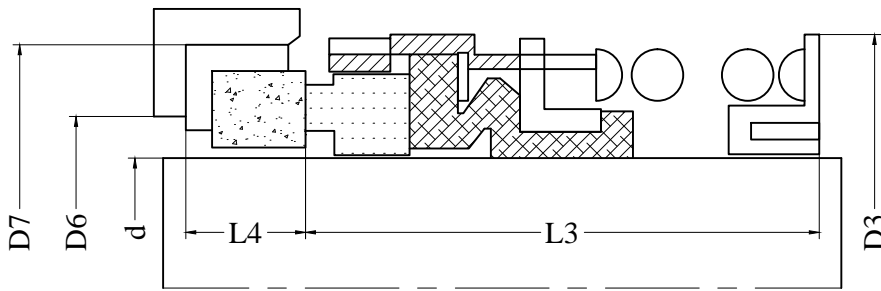
Replacement of JohnCrane AG

AG			
d(inch)	d6	d7	L4
0.250	7.10	19.05	7.90
0.375	10.20	22.23	7.90
0.500	13.40	25.40	7.90
0.625	16.60	31.75	10.30
0.750	19.70	34.93	10.30
0.875	22.90	38.10	10.30
1.000	26.10	41.28	11.10
1.125	29.30	44.45	11.10
1.250	32.40	47.63	11.10
1.375	35.60	50.80	11.10
1.500	38.80	53.98	11.10
1.625	42.40	60.33	12.70
1.750	45.50	63.50	12.70
1.875	48.70	66.68	12.70
2.000	51.90	69.85	14.30
2.125	55.00	76.20	14.30
2.250	58.20	79.38	14.30
2.375	61.40	82.55	14.30
2.500	64.60	85.73	15.90
2.625	67.70	85.73	15.90
2.750	70.90	88.90	15.90
2.875	74.10	95.25	15.90
3.000	77.30	98.43	19.80
3.125	80.50	101.60	19.80
3.250	83.60	104.78	19.80
3.375	86.80	107.95	19.80
3.500	90.00	111.13	19.80
3.625	93.10	114.30	19.80
3.750	96.30	117.48	19.80
3.875	99.50	120.65	19.80
4.000	102.70	123.83	19.80
4.125	106.30	130.18	19.80
4.250	109.50	133.35	19.80
4.375	112.70	136.53	19.80
4.500	115.90	139.70	19.80
4.625	119.00	142.88	19.80
4.750	122.20	146.05	19.80
4.875	125.40	149.23	19.80
5.000	128.60	152.40	19.80



MH1

0.5 to 4 inch
12 to 100 mm



Description:
 Type:MH1,
 Replacement of JohnCrane TYPE01
 Pressure: ≤1.4MPa
 Speed: ≤15 m/s
 Temperature: -20°C~+120°C
 Rotary Ring(Carbon/SiC/TC)
 Stationary Ring(Ceramic/SiC/TC)
 Secondary Seal(NBR/EPDM/VITON)
 Spring & Other Parts(SUS304/SUS316)

MH1 Standard Seal--Dimension Data/Inch/Metric

0.5 to 4 inch/12 to 100 mm

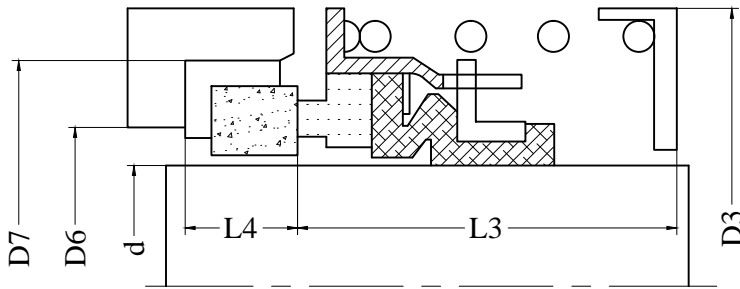
MH1						
Size/Inch(d)	Size/Metric (d)	D3(m m)	D6(m m)	D7(m m)	L3(m m)	L4(m m)
0.500	12	23.80	19.05	25.40	30.16	7.93
	14	27.76	23.80	31.75	33.32	10.28
0.625	16	27.76	23.80	31.75	33.32	10.28
0.750	18	30.94	26.98	34.93	33.32	10.28
	20	34.11	30.15	38.10	34.93	10.28
0.875	22	34.11	30.15	38.10	34.93	10.28
	24	38.10	33.32	41.28	39.67	11.10
1.000	25	38.10	33.32	41.28	39.67	11.10
1.125	28	41.28	36.50	44.44	41.28	11.10
	30	46.02	39.70	47.63	41.28	11.10
1.250	32	46.02	39.70	47.63	41.28	11.10
	33	47.63	42.84	50.80	42.85	11.10
1.375	35	47.63	42.84	50.80	42.85	11.10
1.500	38	50.80	46.05	53.98	42.85	11.10
1.625	40	57.15	50.80	60.33	50.8	12.70
	43	60.33	53.97	63.50	50.8	12.70
1.750	45	60.33	53.97	63.50	50.8	12.70
1.875	48	63.50	57.15	66.68	53.98	12.70
2.000	50	66.68	60.32	69.85	53.98	12.70
2.125	53	71.42	60.32	76.20	60.33	14.27
2.250	55	74.60	61.90	79.38	60.33	14.27
2.375	60	77.77	67.39	82.55	63.5	14.27
2.500	63	80.95	68.25	85.73	63.5	14.27

MH1						
Size/Inch(d)	Size/Metric (d)	D3(m m)	D6(m m)	D7(m m)	L3(m m)	L4(m m)
2.625	65	85.73	71.42	85.73	69.85	15.88
2.750	70	88.90	74.60	88.90	69.85	15.88
2.875	73	92.08	77.77	95.25	73.03	15.88
3.000	75	95.25	80.95	98.43	73.03	15.88
3.125	80	101.60	84.12	101.60	79.38	19.84
3.250		104.78	87.30	104.78	79.38	19.84
3.375	85	107.95	90.47	107.95	79.38	19.84
3.500		111.13	93.65	111.13	79.38	19.84
3.625	90	114.30	96.82	114.30	82.55	19.84
3.750	95	117.48	100.00	117.48	82.55	19.84
3.875		120.65	103.17	120.65	85.73	19.84
4.000	100	123.83	106.35	123.85	85.73	19.84



MH2

0.5 to 4.75 inch
12 to 120 mm



Description:
 Type:MH2,
 Replacement of JohnCrane TYPE02
 Pressure: ≤1.4MPa
 Speed: ≤15 m/s
 Temperature: -20°C~+120°C
 Rotary Ring(Carbon/SiC/TC)
 Stationary Ring(Ceramic/SiC/TC)
 Secondary Seal(NBR/EPDM/VITON)
 Spring & Other Parts(SUS304/SUS316)

MH2 Standard Seal--Dimension Data

0.5 to 4.75 inch/12 to 120 mm

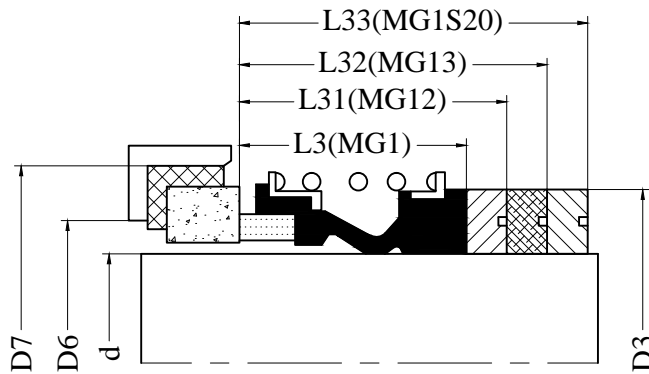
MH2						
Size/Inch(d)	Size/Metric (d)	D3(m m)	D6(m m)	D7(m m)	L3(m m)	L4(m m)
0.500	12	30.14	19.05	25.40	20.64	7.93
	14	33.32	23.80	31.75	22.23	10.28
0.625	16	33.32	23.80	31.75	22.23	10.28
0.750	18	36.50	26.98	34.93	22.23	10.28
	20	39.67	30.15	38.10	23.8	10.28
0.875	22	39.67	30.15	38.10	23.8	10.28
	24	45.50	33.32	41.28	25.4	11.10
1.000	25	45.50	33.32	41.28	25.4	11.10
1.125	28	48.50	36.50	44.44	26.97	11.10
	30	52.37	39.70	47.63	26.97	11.10
1.250	32	52.37	39.70	47.63	26.97	11.10
	33	56.00	42.84	50.80	28.58	11.10
1.375	35	56.00	42.84	50.80	28.58	11.10
1.500	38	56.00	46.05	53.98	28.58	11.10
1.625	40	59.20	50.80	60.33	34.93	12.70
	43	67.00	53.97	63.50	34.93	12.70
1.750	45	69.85	53.97	63.50	34.93	12.70
1.875	48	73.03	57.15	66.68	38.1	12.70
	48	73.03	60.32	69.85	38.1	12.70
2.000	50	76.20	60.32	69.85	38.1	12.70
2.125	53	82.55	60.32	76.20	42.85	14.27
2.250	55	85.73	61.90	79.38	42.85	14.27
2.375	60	88.90	67.39	82.55	46.02	14.27
2.500	63	92.08	68.25	85.73	46.02	14.27

MH2						
Size/Inch(d)	Size/Metric (d)	D3(m m)	D6(m m)	D7(m m)	L3(m m)	L4(m m)
2.625	65	98.43	71.42	85.73	49.2	15.88
2.750	70	101.60	74.60	88.90	49.2	15.88
2.875	73	104.78	77.77	95.25	52.37	15.88
3.000	75	107.95	80.95	98.43	52.37	15.88
3.125	80	115.80	84.12	101.60	55.55	19.84
3.250		119.05	87.30	104.78	55.55	19.84
3.375	85	122.22	90.47	107.95	55.55	19.84
3.500		125.40	93.65	111.13	55.55	19.84
3.625	90	130.18	96.82	114.30	58.72	19.84
3.750	95	133.35	100.00	117.48	58.72	19.84
3.875		138.10	103.17	120.65	58.72	19.84
4.000	100	141.27	106.35	123.85	58.72	19.84
4.500	110	135.00			58.72	
4.750	120	145.00			72	



MH-MG1/MG12/MG13/MG1S20

10 to 100 mm



Description:

Type:MH-MG1/MG12/MG13/MG1S20

Replacement of Burgmann MG1/MG12/MG13/MG1S20

Pressure: ≤ 1.2 MPaSpeed: ≤ 10 m/sTemperature: $-20^{\circ}\text{C} \sim +120^{\circ}\text{C}$

Rotary Ring(Carbon/SiC/TC)

Stationary Ring(Ceramic/SiC/TC)

Secondary Seal(NBR/EPDM/VITON)

Spring & Other Parts(SUS304/SUS316)

MH-MG1/MG12/MG13/MG1S20 Standard Seal--Dimension Data/Metric

10 to 100 mm

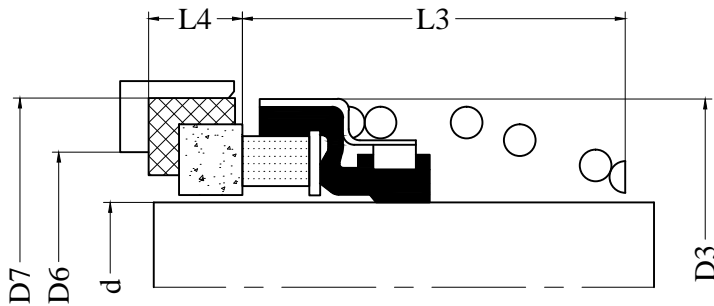
MH-MG1/MG12/MG13/MG1S20 (mm)							
d	D6	D7	D3	L3	L31	L32	L33
10	17	21	22.5	14.5	25.9	33.4	25
12	19	23	25	15	25.9	33.4	25
14	21	25	28.5	17	28.4	33.4	25
15	-	-	28.5	17	28.4	33.4	25
16	23	27	28.5	17	28.4	33.4	25
18	27	33	32	19.5	30	37.5	25
19	-	-	37	21.5	30	37.5	25
20	29	35	37	21.5	30	37.5	25
22	31	37	37	21.5	30	37.5	25
24	33	39	42.5	22.5	32.5	42.5	25
25	34	40	42.5	23	32.5	42.5	25
28	37	43	49	26.5	35	42.5	33
30	39	45	49	26.5	35	42.5	33
32	42	48	53.5	27.5	35	47.5	33
33	42	48	53.5	27.5	35	47.5	33
35	44	50	57	28.5	35	47.5	33
38	49	56	59	30	36	46	33
40	51	58	62	30	36	46	33
42	-	-	65.5	30	36	51	41
43	54	61	65.5	30	36	51	41
45	56	63	68	30	36	51	41
48	59	66	70.5	30.5	36	51	41
50	62	70	74	30.5	38	50.5	41

MH-MG1/MG12/MG13/MG1S20 (mm)							
d	D6	D7	D3	L3	L31	L32	L33
53	65	73	78.5	33	36.5	59	41
55	67	75	81	35	36.5	59	41
58	70	78	85.5	37	41.5	59	41
60	72	80	88.5	38	41.5	59	41
65	77	85	93.5	40	41.5	69	49
68	81	90	96.5	40	41.2	68.7	49
70	83	92	99.5	40	48.7	68.7	49
75	88	97	107	40	48.7	68.7	52
80	95	105	112	40	48	78	56
85	100	110	120	41	46	76	56
90	105	115	127	45	51	76	59
95	110	120	132	46	51	76	59
100	115	125	137	47	51	76	62



MH-MG9

10 to 100 mm



Description:

Type:MH-MG9

Replacement of Burgmann MG9

Pressure: $\leq 1.2\text{MPa}$ Speed: $\leq 10\text{ m/s}$ Temperature: $-20^{\circ}\text{C}\sim+90^{\circ}\text{C}$

Rotary Ring(Carbon/SiC/TC)

Stationary Ring(Ceramic/SiC/TC)

Secondary Seal(NBR/EPDM/VITON)

Spring & Other Parts(SUS304/SUS316)

MH-MG9 Standard Seal--Dimension Data/Metric

10 to 100 mm

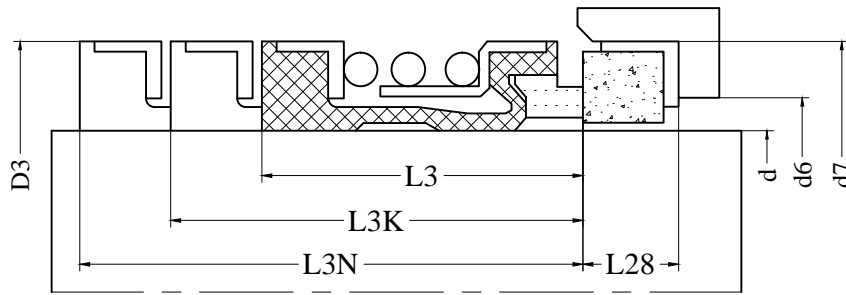
MH-MG9 (mm)					
d	D6	D7	D3	L3	L4
10	17	21	20.05	23.9	8.6
12	19	23	21.7	23.9	8.6
14	21	25	24.5	26.4	8.6
16	23	27	26.65	26.4	8.6
18	27	33	30.35	27.5	10
20	29	35	31.75	27.5	10
22	31	37	33.55	27.5	10
24	33	39	38.3	30	10
25	34	40	38.3	30	10
28	37	43	42.2	32.5	10
30	39	45	43.95	32.5	10
32	42	48	45.7	32.5	10
33	42	48	46.75	32.5	10
35	44	50	49.1	32.5	10
38	49	56	52.4	34	11
40	51	58	55.7	34	11
43	54	61	58.8	34	11
45	56	63	61.2	34	11
48	59	66	64.35	34	11
50	62	70	67.35	34.5	13

MH-MG9 (mm)					
d	D6	D7	D3	L3	L4
53	65	73	70.65	34.5	13
55	67	75	71.65	34.5	13
58	70	78	78.4	39.5	13
60	72	80	78.4	39.5	13
63	75	83	81.5	39.5	13
65	77	85	84.3	39.5	13
68	81	90	89.65	37.2	15.3
70	83	92	89.65	44.7	15.3
75	88	97	96.8	44.7	15.3
80	95	105	104	44.3	15.7
85	100	110	107.95	44.3	15.7
90	105	115	111.1	49.3	15.7
95	110	120	119	49.3	15.7
100	115	125	124	49.3	15.7



MH2100

10 to 100 mm



Description:
 Type:MH2100,
 Replacement of JohnCrane2100
 Pressure: ≤ 2 MPa
 Speed: ≤ 15 m/s
 Temperature: $-40^{\circ}\text{C} \sim +150^{\circ}\text{C}$
 Rotary Ring(Carbon/SiC/TC)
 Stationary Ring(Ceramic/SiC/TC)
 Secondary Seal(NBR/EPDM/VITON)
 Spring & Other Parts(SUS304/SUS316)

MH2100 Standard Seal--Dimension Data/Metric

10 to 100 mm

MH2100 (mm)							
d	D3	d6	d7	L28	L3	L3K	L3N
10	20	17	21	5	15	27.5	35
12	22	19	23	6	15	26.5	34
14	24	21	25	6	15	29	34
15	25	22	26	6	15	29	34
16	26	23	27	6	15	29	34
18	32	27	33	6	20	31.5	39
20	34	29	35	6	20	31.5	39
22	36	31	37	6	20	31.5	39
24	38	33	39	6	20	34	44
25	39	34	40	6	20	34	44
28	42	37	43	6	26	36.5	44
30	44	39	45	7	26	35.5	43
32	46	42	48	7	26	35.5	48
33	47	42	48	7	26	35.5	48
35	49	44	50	8	26	34.5	47
38	54	49	56	8	30	37	47
40	56	51	58	8	30	37	47
43	59	54	61	8	30	37	52
45	61	56	63	8	30	37	52
48	64	59	66	10	30	35	50
50	66	62	70	10	30	37.5	50
53	69	65	73	10	30	37.5	60
55	71	67	75	10	30	37.5	60
58	78	68	78	10	33	42.5	60
60	80	72	80	12	33	40.5	58

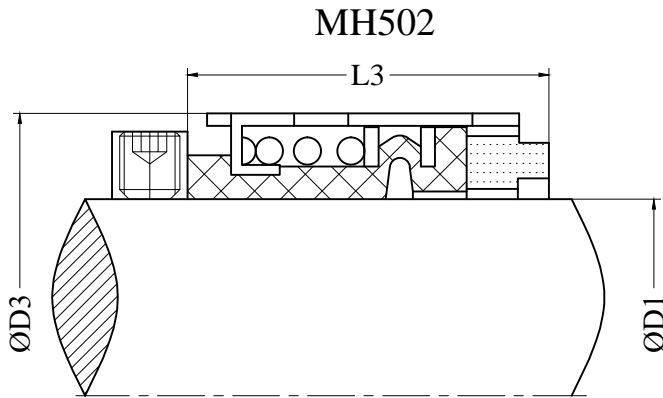
MH2100 (mm)							
d	D3	d6	d7	L28	L3	L3K	L3N
63	83	73	83	12	33	40.5	58
65	85	77	85	12	33	40.5	68
68	88	79	80	12	33	40.5	68
70	90	83	92	12	33	48	68
75	99	88	97	12	40	48	68
80	104	95	105	12.5	40	47.5	77.5
85	109	100	110	12.5	40	47.5	77.5
90	114	105	115	12.5	40	52.5	77.5
95	119	110	120	12.5	40	52.5	77.5
100	124	115	125	12.5	40	52.5	77.5



MH502

MH502 Standard Seal--Dimension Data/mm

14 to 100 mm



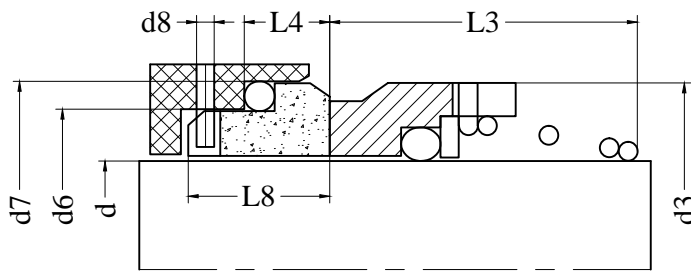
Description:
 Type:MH502
 Replacement of JohnCrane 502

Temperature: -40°C to +205°C/-40°F to +400°F
 depending on materials used
 Pressures: up to 40 bar g/580 psig
 Speed: up to 13 m/s/2500 fpm
 Rotary Ring(Carbon/SiC/TC)
 Stationary Ring(Ceramic/SiC/TC)
 Secondary Seal(NBR/EPDM/VITON)
 Spring & Other Parts(SUS304/SUS316)



MH502		
D1	D3	L3
14	24	23
16	26	23
18	32	24
20	34	24
22	36	24
24	38	26.7
25	39	27
28	42	30
30	44	30.5
32	46	30.5
33	47	30.5
35	49	30.5
38	54	32
40	56	32
43	59	32
45	61	32
48	64	32
50	66	34
53	69	34
55	71	34
58	78	39
60	80	39
63	83	39
65	85	39
68	88	39
70	89	45.5
75	96	45.5
80	104	45
85	108	45
90	114	50
95	118	50
100	124	50

MH-M3N



Description:

Type:MH-M3N

Replacement of Burgmann M3N

Pressure: ≤ 1 MPaSpeed: ≤ 15 m/sTemperature: $-20^{\circ}\text{C} \sim +180^{\circ}\text{C}$

Rotary Ring(Carbon/SiC/TC)

Stationary Ring(Ceramic/SiC/TC)

Secondary Seal(NBR/EPDM/VITON)

Spring & Other Parts(SUS304/SUS316)

MH-M3N Standard Seal--Dimension Data/Metric

10 to 80 mm

MH-M3N (mm)							
d	d6	d7	d3	d8	L4	L8	L3
10	17	21	19	3	10	17.5	15.5
12	19	23	21	3	10	17.5	16
14	21	25	23	3	10	17.5	16.5
15	—	—	24	—	—	—	—
16	23	27	26	3	10	17.5	18
18	27	33	29	3	11.5	19.5	19.5
20	29	35	31	3	11.5	19.5	22
22	31	37	33	3	11.5	19.5	21.5
24	33	39	35	3	11.5	19.5	23.5
25	34	40	36	3	11.5	19.5	26.5
26	—	—	37	—	—	—	—
28	37	43	40	3	11.5	19.5	26.5
30	39	45	43	3	11.5	19.5	26.5
32	42	48	46	3	11.5	19.5	28.5
33	42	48	47	3	11.5	19.5	28.5
35	44	50	49	3	11.5	19.5	28.5
38	49	56	53	4	14	22	33.5
40	51	58	56	4	14	22	36
42	—	—	59	—	—	—	—
43	54	61	59	4	14	22	38.5
45	56	63	61	4	14	22	39.5
48	59	66	64	4	14	22	46
50	62	70	66	4	15	23	45

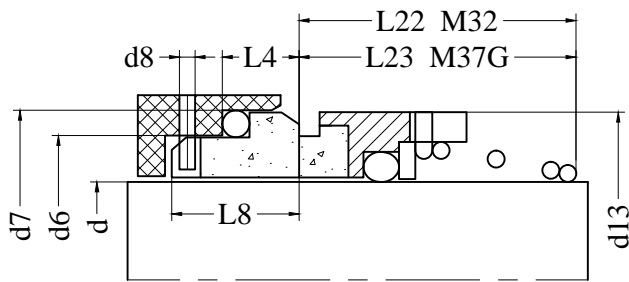
MH-M3N (mm)							
d	d6	d7	d3	d8	L4	L8	L3
53	65	73	69	4	15	23	47
55	67	75	71	4	15	23	49
58	70	78	76	4	15	23	55
60	72	80	78	4	15	23	55
63	75	83	83	4	15	23	55
65	77	85	84	4	15	23	55
68	81	90	88	4	18	26	55
70	83	92	90	4	18	26	57
75	88	97	98	4	18	26	62
80	95	105	100	4	18.2	26.2	61.8



MH-M32/M37G

MH-M32/M37G Standard Seal--Dimension Data/Metric

10 to 80 mm

**Description:**

Type:MH-M32/M37G

Replacement of Burgmann M32/M37G

Pressure: $\leq 1.4\text{MPa}$ Speed: $\leq 15\text{ m/s}$ Temperature: $-20^{\circ}\text{C} \sim +120^{\circ}\text{C}$

Rotary Ring(Carbon/SiC/TC)

Stationary Ring(Ceramic/SiC/TC)

Secondary Seal(NBR/EPDM/VITON)

Spring & Other

Parts(SUS304/SUS316)

MH-M32

Item no's and descriptions as for type M3N, but with the seal face (carbon) shrink-fitted into the seal face carrier.

MH-M37G

(d1 min. 16 mm)

Item no's and descriptions as for type M3N, but with the seal face shrink fitted (silicon carbide) into the seal face housing.

MH-M32 & M37G (mm)

d	d6	d7	d13	d8	L4	L8	L22	L23
10	17	21	20	3	10	17.5	16.9	—
12	19	23	22	3	10	17.5	17.4	—
14	21	25	24	3	10	17.5	17.4	16.5
15	—	—	25	—	—	—	17.4	—
16	23	27	26	3	10	17.5	19.5	16.5
18	27	33	31	3	11.5	19.5	20.5	18
20	29	35	34	3	11.5	19.5	22	19
22	31	37	36	3	11.5	19.5	23.5	20.5
24	33	39	38	3	11.5	19.5	25	22
25	34	40	39	3	11.5	19.5	26.5	23.5
26	—	—	40	—	—	—	26.5	23.5
28	37	43	42	3	11.5	19.5	26.5	24.5
30	39	45	44	3	11.5	19.5	25	24.5
32	42	48	46	3	11.5	19.5	28.5	28
33	42	48	47	3	11.5	19.5	—	—
35	44	50	49	3	11.5	19.5	28.5	28
38	49	56	54	4	14	22	32.2	31
40	51	58	56	4	14	22	34.7	34
42	—	—	58	—	—	—	37.3	35
43	54	61	59	4	14	22	—	—
45	56	63	61	4	14	22	39.2	36.5
48	59	66	64	4	14	22	44.7	42
50	62	70	66	4	15	23	45.7	43
53	65	73	69	4	15	23	—	—
55	67	75	71	4	15	23	49	47
58	70	78	78	4	15	23	52	50
60	72	80	79	4	15	23	55	51
63	75	83	83	4	15	23	—	—
65	77	85	85	4	15	23	54.3	52
68	81	90	88	4	18	26	55.3	52.7
70	83	92	90	4	18	26	56.3	54
75	88	97	98	4	18	26	56.3	54
80	95	105	103	4	18.2	26.2	59.3	58



MH-M7N/M74/M7F

MH-M7N/M74/M7F Standard Seal--Dimension Data/Metric

14 to 100 mm

Description:

Type:MH-M7N/M74/M7F

Replacement of Burgmann

M7N/M74/M7F

Rotary Ring(Carbon/SiC/TC)

Stationary Ring(Ceramic/SiC/TC)

Secondary Seal(NBR/EPDM/VITON)

Spring & Other

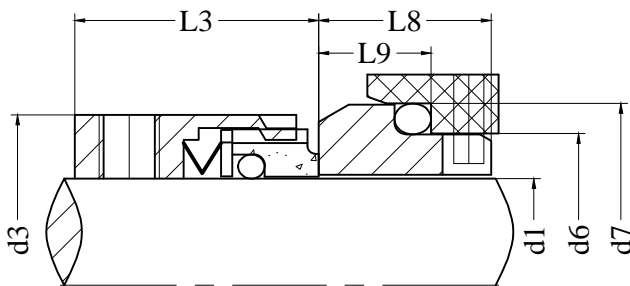
Parts(SUS304/SUS316)



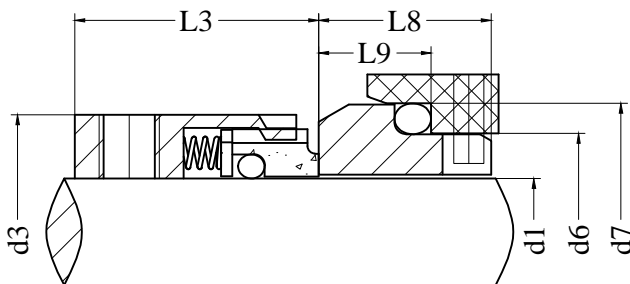
MH-M7N/M74/M7F (mm)

d1	d6	d7	d3	L3	L8	L9	d5
14*	21	25	25	25	17.5	10	34
16*	23	27	27	25	17.5	10	36
18*	27	33	33	26	19.5	11.5	38
20*	29	35	35	26	19.5	11.5	40
22*	31	37	37	26	19.5	11.5	42
24*	33	39	39	28.5	19.5	11.5	44
25*	34	40	40	28.5	19.5	11.5	45
28*	37	43	43	31	19.5	11.5	47
30*	39	45	45	31	19.5	11.5	49
32*	42	48	47	31	19.5	11.5	51
33*	42	48	48	31	19.5	11.5	51
35*	44	50	50	31	19.5	11.5	54
38*	49	56	55	31	22	14	59
40*	51	58	57	31	22	14	61
43*	54	61	60	31	22	14	65
45*	56	63	62	31	22	14	66
48*	59	66	65	31	22	14	69
50*	62	70	67	32.5	23	15	71
53*	65	73	70	32.5	23	15	75
55*	67	75	72	32.5	23	15	76
58*	70	78	79	37.5	23	15	83
60*	72	80	81	37.5	23	15	85
63*	75	83	84	37.5	23	15	88
65*	77	85	86	37.5	23	15	95
68*	81	90	89	34.5	26	18	93
70*	83	92	91	42	26	18	95
75*	88	97	99	42	26	18	105
80*	95	105	104	41.8	26.2	18.2	109
85*	100	110	109	41.8	26.2	18.2	114
90*	105	115	114	46.8	26.2	18.2	119
95*	110	120	119	47.8	25.2	17.2	124
100*	115	125	124	47.8	25.2	17.2	129

MH-M7N

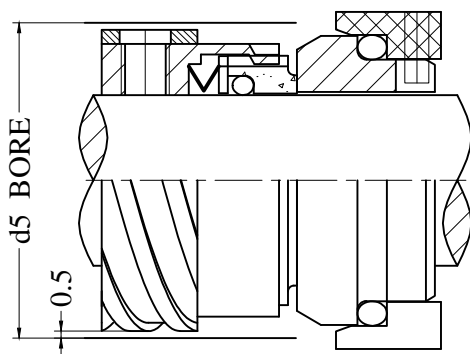


MH-M74



Dimensions, item no's and descriptions as for M7N, but with multiple springs

MH-M7F



Dimensions, item no's and descriptions as for type M7N, but with pumping screw. Dependent on direction of rotation!

MH-M74-D/M74F-D

MH-M74-D/M74F-D Standard Seal--Dimension Data/Metric

18 to 100 mm

Description:

Type:MH-M74-D/M74F-D

Replacement of Burgmann M74-D/M74F-D

Rotary Ring(Carbon/SiC/TC)

Stationary Ring(Ceramic/SiC/TC)

Secondary Seal(NBR/EPDM/VITON)

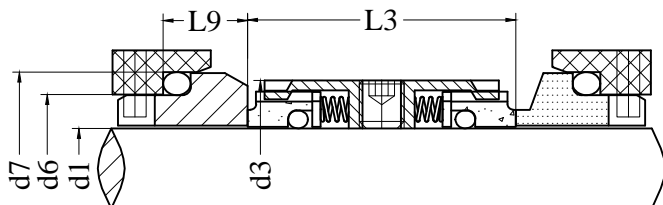
Spring & Other Parts(SUS304/SUS316)

Pressure: $\leq 1.6\text{MPa}$

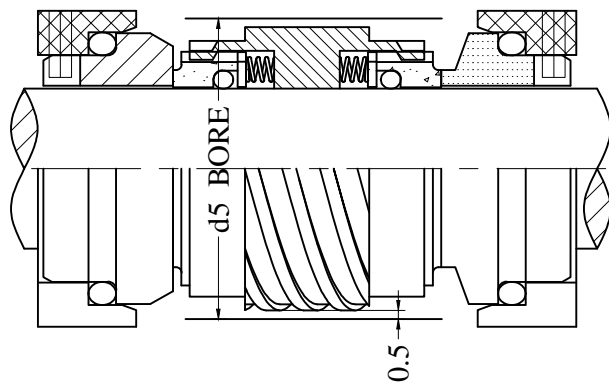
Speed: $\leq 20\text{ m/s}$

Temperature: $-50^{\circ}\text{C} \sim +220^{\circ}\text{C}$

MH-M74-D



MH-M74F-D



Dimensions, item no's and descriptions as for type M74-D, but with pumping screw (Item no. 1.4). Dependent on direction of rotation

MH-M74D/M74F-D (mm)						
d1	d6	d7	d3	L3	L9	d5
18	27	33	33	38	11.5	–
20	29	35	35	38	11.5	–
22	31	37	37	38	11.5	42
24	33	39	39	38	11.5	44
25	34	40	40	38	11.5	45
28	37	43	43	39	11.5	47
30	39	45	45	39	11.5	49
32	42	48	47	39	11.5	51
33	42	48	48	39	11.5	51
35	44	50	50	39	11.5	54
38	49	56	55	41	14	59
40	51	58	57	42	14	61
43	54	61	60	42	14	65
45	56	63	62	42	14	66
48	59	66	65	42	14	69
50	62	70	67	43	15	71
53	65	73	70	43	15	75
55	67	75	72	43	15	76
58	70	78	79	56	15	83
60	72	80	81	56	15	85
63	75	83	84	55	15	88
65	77	85	86	55	15	95
68	81	90	89	55	18	93
70	83	92	91	56	18	95
75	88	97	99	56	18	105
80	95	105	104	56	18.2	109
85	100	110	109	56	18.2	114
90	105	115	114	56	18.2	119
95	110	120	119	56	17.2	124
100	115	125	124	56	17.2	129



MH-HJ92N

MH-HJ92N Standard Seal--Dimension Data/Metric

18 to 100 mm

Description:

Type:MH-HJ92N

Replacement of Burgmann HJ92N

Single seal

Balanced

Independent

on direction of rotation

Spring, product protected

To EN 12756

d1 = 18 ... 100 mm m0.625" ... 4"

pressure= 0.8 ... 25 bar m11 ... 360 PSI

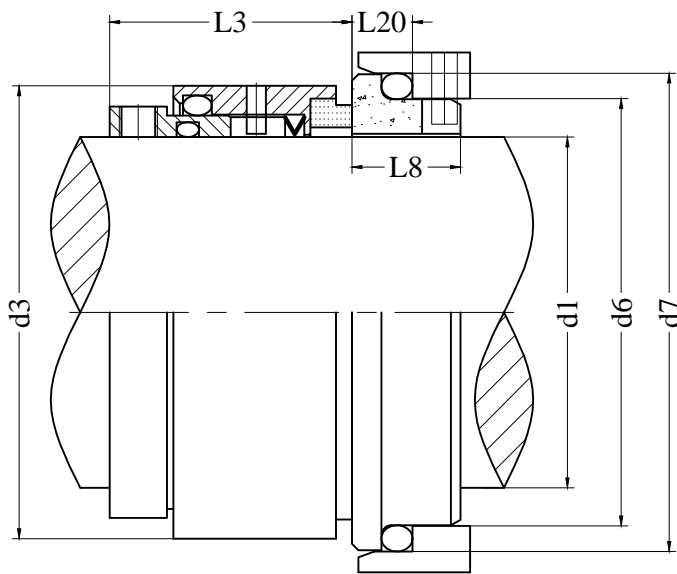
HJ 92 N:

t = -50 ... +220 °C

= -58 °F ... +430 °F

vg = 20 m/s m66 ft/s

MH-HJ92N



Standard Stationary is Type G16 seat.
 You can choose options.



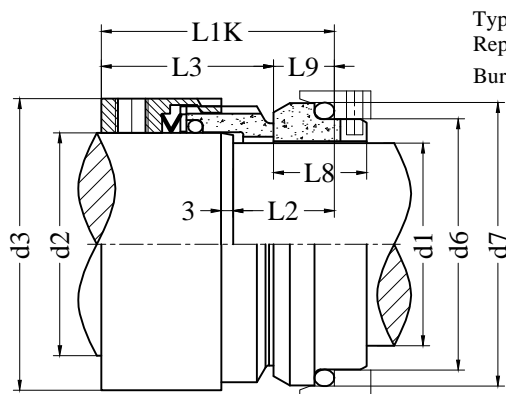
MH-HJ92N (mm)

d1	d6	d7	d3	L3	L20	L8
18	27	33	32	30.5	7	15
20	29	35	34	30.5	7	15
22	31	37	36	30.5	7	15
24	33	39	38	33	7	15
25	34	40	39	33	7	15
28	37	43	42	35.5	7	15
30	39	45	44	35.5	7	15
32	42	48	47	35.5	7	15
33	42	48	47	35.5	7	15
35	44	50	49	35.5	7	15
38	49	56	54	37	8	16
40	51	58	56	37	8	16
43	54	61	59	37	8	16
45	56	63	61	37	8	16
48	59	66	64	37	8	16
50	62	70	66	38	9.5	17
53	65	73	69	38	9.5	17
55	67	75	71	38	9.5	17
58	70	78	78	42	10.5	18
60	72	80	80	42	10.5	18
63	75	83	83	42	10.5	18
65	77	85	85	42	10.5	18
68	81	90	88	41.5	11	18.5
70	83	92	90	48.5	11.5	19
75	88	97	99	48.5	11.5	19
80	95	105	104	48.5	11.5	19
85	100	110	109	48.5	11.5	19
90	105	115	114	52	13	20.5
95	110	120	119	52	13	20.5
100	115	125	124	52	13	20.5

MH-H7N/H75/H75VN/H7F/H75F

MH-H7N/H75/H75VN/H7F/H75F Standard Seal--Dimension Data/Metric

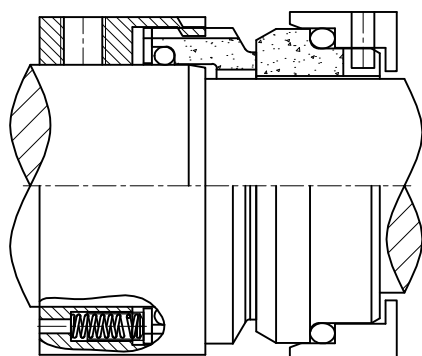
14 to 100 mm



Type:MH-H7N
Replacement of
Burgmann H7N

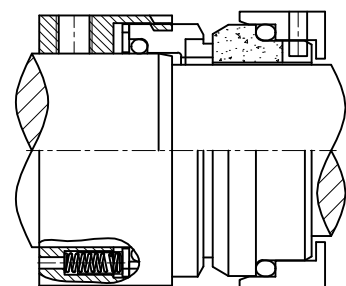
MH-H7N/H75/H75VN/H7F/H75F (mm)

d1	d6	d7	d2	d3	L2	L3	L8	L9	L1 K	d5
14*	21	25	18	33	18	32.5	17.5	10	42.5	38
16*	23	27	20	35	18	32.5	17.5	10	42.5	40
18*	27	33	22	37	20	33.5	19.5	11.5	45	42
20*	29	35	24	39	20	33.5	19.5	11.5	45	44
22*	31	37	26	41	20	33.5	19.5	11.5	45	45



Type:MH-H75
Replacement of
Burgmann H75
As H7N, but with
multiple springs in
sleeves.

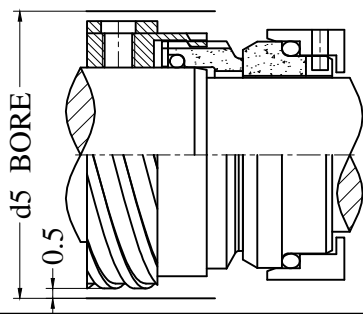
24*	33	39	28	43	20	36	19.5	11.5	47.5	47
25*	34	40	30	45	20	36	19.5	11.5	47.5	49
28*	37	43	33	48	20	38.5	19.5	11.5	50	51
30*	39	45	35	50	20	38.5	19.5	11.5	50	54
32*	42	48	38	55	20	38.5	19.5	11.5	50	59
33*	42	48	38	55	20	38.5	19.5	11.5	50	59
35*	44	50	40	57	20	38.5	19.5	11.5	50	61
38*	49	56	43	60	23	38.5	22	14	52.5	65



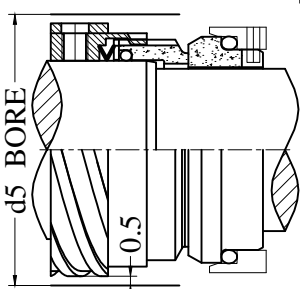
Type:MH-H75VN
Replacement of
Burgmann H75VN.
Same as H75 but with
a solid carbon
seal face.

40*	51	58	45	62	23	38.5	22	14	52.5	66
43*	54	61	48	65	23	38.5	22	14	52.5	69
45*	56	63	50	67	23	38.5	22	14	52.5	71
48*	59	66	53	70	23	38.5	22	14	52.5	75
50*	62	70	55	72	25	42.5	23	15	57.5	76
53*	65	73	58	79	25	42.5	23	15	57.5	83
55*	67	75	60	81	25	42.5	23	15	57.5	85

Description:
Type:MH-H75F
Replacement of Burgmann
H75F
Item no's and descriptions
as for H7N,
but with pumping screw.
Unquoted dimensions as
for H7N.



58*	70	78	63	84	25	47.5	23	15	62.5	88
60*	72	80	65	86	25	47.5	23	15	62.5	95
63*	75	83	68	89	25	47.5	23	15	62.5	93
65*	77	85	70	91	25	47.5	23	15	62.5	95
70*	83	92	75	99	28	52	26	18	70	105
75*	88	97	80	104	28	52	26	18	70	109



Description:
Type:MH-H7F
Replacement of Burgmann H7F
Item no's and descriptions as for
H7N,
but with pumping screw.
Unquoted dimensions as for
H7N.

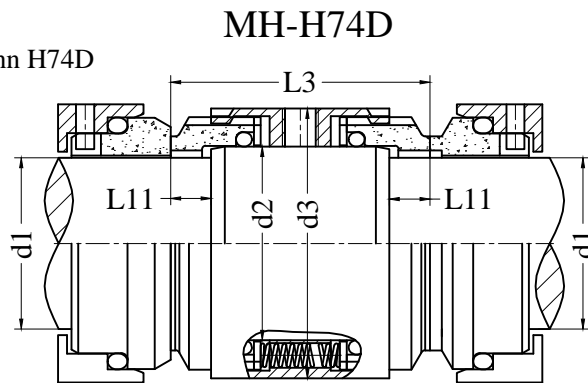
80*	95	105	85	109	28	51.8	26.2	18.2	70	114
85*	100	110	90	114	28	56.8	26.2	18.2	75	119
90*	105	115	95	119	28	56.8	26.2	18.2	75	124
95*	110	120	100	124	28	57.8	25.2	17.2	75	129
100*	115	125	105	129	28	57.8	25.2	17.2	75	134

MH-H74D/H74F-D

MH-H74D/H74F-D Standard Seal--Dimension Data/Metric

14 to 100 mm

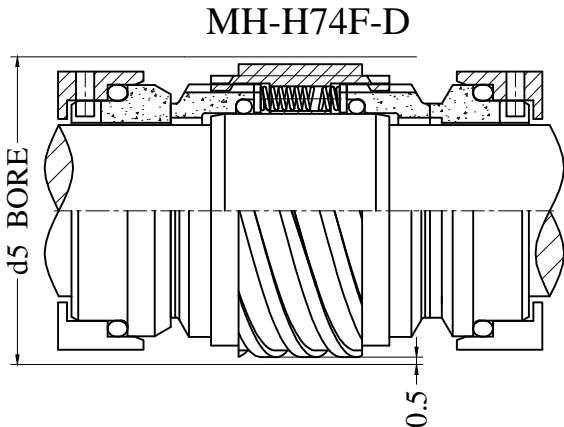
Description:
 Type:MH-H74D
 Replacement of Burgmann H74D
 Double seal
 Balanced
 Independent
 of direction of rotation
 Multiple springs
 d1 = 14 ... 200 mm
 p1 = 25 (40) bar
 t = -50 ... 220 °C
 vg = 20 m/s



MH-H74D/H74F-D (mm)					
d1	d2	d3	L3	L11	d5
14	18	33	53	8	–
16	20	35	53	8	–
18	22	37	53	8.5	42
20	24	39	53	8.5	44
22	26	41	53	8.5	45
24	28	43	54	8.5	47
25	30	45	54	8.5	49
28	33	48	54	8.5	51
30	35	50	54	8.5	54
32	38	55	56	8.5	59
33	38	55	56	8.5	59
35	40	57	57	8.5	61
38	43	60	57	9	65
40	45	62	57	9	66
43	48	65	57	9	69
45	50	67	56	9	71
48	53	70	56	9	75
50	55	72	63	10	76
53	58	79	67	10	83
55	60	81	67	10	85
58	63	84	74	10	88
60	65	86	74	10	95
63	68	89	79	10	93
65	70	91	68	10	95
70	75	99	76.4	10	105
75	80	104	76.4	10	109
80	85	109	76	9.8	114
85	90	114	76	9.8	119
90	95	119	76	9.8	124
95	100	124	76	10.8	129
100	105	129	76	10.8	134

Description:
 Type:MH-H74F-D
 Replacement of
 Burgmann H74F-D

 Dimensions, item no's
 and descriptions
 as for H74-D, but with
 a pumping screw.
 Dependent on the
 direction of rotation!

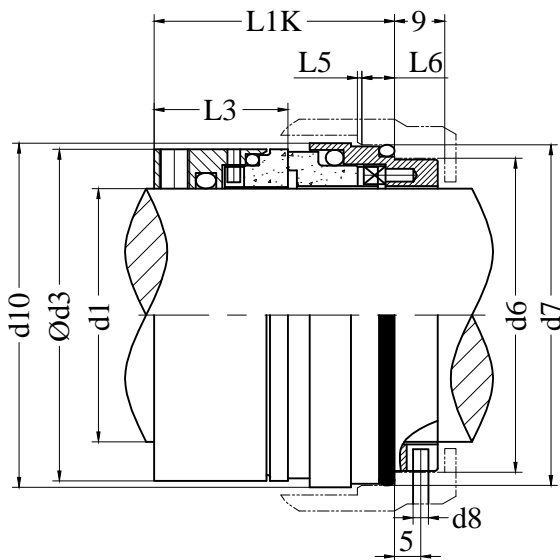


MH-HRN

MH-HRN Standard Seal--Dimension Data/Metric

18 to 100 mm

MH-HRN



MH-HRN (mm)									
d1	d3	d10	d6	d7	d8	L3	L1K	L5	L6
18	33	34.7	27	33	3	19.5	37.5	2	5
20	35	36.7	29	35	3	19.5	37.5	2	5
22	37	38.7	31	37	3	19.5	37.5	2	5
24	39	40.7	33	39	3	20.5	40	2	5
25	40	41.7	34	40	3	20.5	40	2	5
28	43	44.7	37	43	3	21.5	42.5	2	5
30	45	46.7	39	45	3	21.5	42.5	2	5
32	48	49.7	42	48	3	21.5	42.5	2	5
33	48	49.7	42	48	3	21.5	42.5	2	5
35	50	51.7	44	50	3	21.5	42.5	2	5
38	56	57.7	49	56	4	24	45	2	5
40	58	59.7	51	58	4	24	45	2	5
43	61	62.7	54	61	4	24	45	2	5
45	63	64.7	56	63	4	24	45	2	5
48	66	67.7	59	66	4	24	45	2	5
50	70	71.7	62	70	4	25	47.5	2.5	6
53	73	74.7	65	73	4	25	47.5	2.5	6
55	75	76.7	67	75	4	25	47.5	2.5	6
58	78	80.5	70	78	4	28	52.5	2.5	6
60	80	82.5	72	80	4	28	52.5	2.5	6
63	83	85.5	75	83	4	28	52.5	2.5	6
65	85	87.5	77	85	4	28	52.5	2.5	6
68	90	92.5	81	90	4	28	52.5	2.5	7
70	92	94.5	83	92	4	34	60	2.5	7
75	97	100.5	88	97	4	34	60	2.5	7
80	105	108.5	95	105	4	34	60	3	7
85	110	113.5	100	110	4	34	60	3	7
90	115	118.5	105	115	4	39	65	3	7
95	120	123.5	110	120	4	39	65	3	7
100	125	128.5	110	125	4	39	65	3	7

Description:
 Type:MH-HRN
 Replacement of Burgmann HRN
 Single seal
 Balanced
 Independent
 of direction of rotation
 EN 12756
 d1 = 18 ... 100 mm 0.71" ... 3.94"
 p1 = 25 bar 363 PSI
 t = +220 °C 428 °F
 vg = 20 m/s 66 ft/s
 Permissible axial offset 1 mm

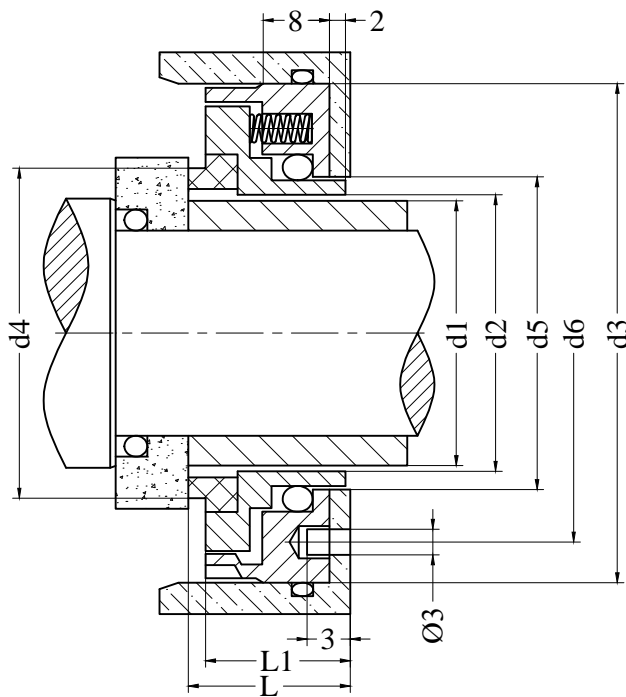


MH-H10

MH-H10 Standard Seal--Dimension Data/Metric

15 to 100 mm

MH-H10



MH-H10 (mm)

d1	d2	d3	d4	d5	d6	L1	L
15	16	42	22.6	21	34	15	17
18	19	45	25.6	24	37	15	17
20	21	48	27.6	26	40	15	17
22	23	50	29.6	28	42	15	17
25	26	52	32.8	31	44	15	17
28	29	55	35.8	34	47	15	17
30	31	58	37.8	36	50	15	17
32	33	60	39.8	38	52	15	17
35	36	62	42.8	41	54	15	17
38	39	65	45.9	44	57	15	17
40	41	68	47.9	46	60	15	17
42	43	72	49.9	48	64	15	17
45	46	75	52.9	51	67	15	17
48	49	80	55.9	54	72	15	17
50	51	80	58.2	56	72	15	17
52	53	82	60.2	58	74	15	17
55	56	85	63.2	61	77	15	17
58	59	90	66.7	64	82	15	17
60	61	90	68.7	66	82	15	17
65	66	95	73.7	71	87	16.5	19
68	69	100	76.7	74	92	16.5	19
70	71	100	78.7	76	92	16.5	19
75	76	108	83.7	81	100	16.5	19
80	81	112	88.7	86	104	16.5	19
85	86	118	93.7	91	110	16.5	19
90	91	122	99.5	96	114	16.5	19
95	96	128	104.5	101	120	16.5	19
100	101	132	109.5	106	124	16.5	19

Description:

Type:MH-HRN

Replacement of Burgmann HRN

Single seal

Balanced

Independent of direction
of rotation

Multiple springs

d1 = 15 ... 100 mm 0.6" ... 4"

p1 = 25 bar 360 PSI

t = -20 ... +180 °C -4 °F ... 355 °F

vg = 35 m/s 115 ft/s

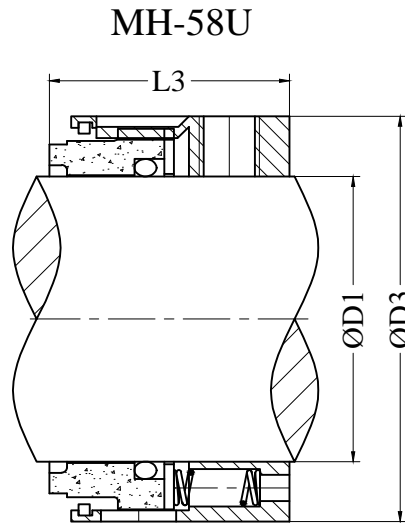


MH-58U/59U

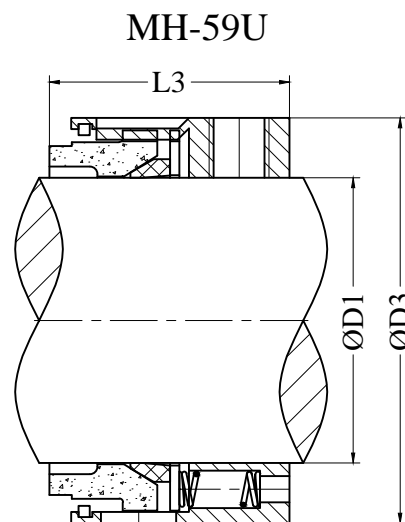
MH-58U/59U Standard Seal--Dimension Data/Metric

14 to 100 mm

Description:
 Type:MH-58U
 Replacement of JohnCrane 58U
 Unbalanced
 Pressure: $\leq 1.7\text{MPa}$
 Speed: $\leq 25\text{ m/s}$
 Temperature: $-40^{\circ}\text{C} \sim +260^{\circ}\text{C}$
 Rotary Ring(Carbon/SiC/TC)
 Stationary Ring(Ceramic/SiC/TC)
 Secondary Seal(NBR/EPDM/VITON)
 Spring & Other
 Parts(SUS304/SUS316)



Description:
 Type:MH-59U
 Replacement of JohnCrane 59U
 Unbalanced
 Pressure: $\leq 2.4\text{MPa}$
 Speed: $\leq 25\text{ m/s}$
 Temperature: $-100^{\circ}\text{C} \sim +400^{\circ}\text{C}$
 Rotary Ring(Carbon/SiC/TC)
 Stationary Ring(Ceramic/SiC/TC)
 Secondary Seal(PTFE Wedge)
 Spring & Other
 Parts(SUS304/SUS316)



MH-58U/59U

D1	D3	L3
14	24	23
16	26	23
18	32	24
20	34	24
22	36	24
24	38	26.7
25	39	27
28	42	30
30	44	30.5
32	46	30.5
33	47	30.5
35	49	30.5
38	54	32
40	56	32
43	59	32
45	61	32
48	64	32
50	66	34
53	69	34
55	71	34
58	78	39
60	80	39
63	83	39
65	85	39
68	88	39
70	90	45.5
75	95	45.5
80	104	45
85	109	45
90	114	50
95	119	50
100	124	50

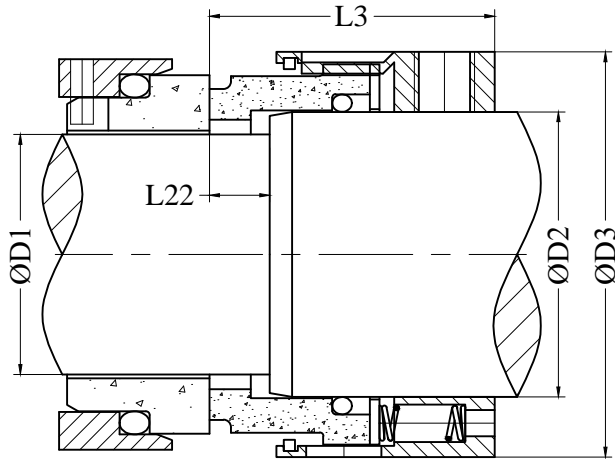


MH-58B/59B

MH-58B/59B Standard Seal--Dimension Data/Metric

14 to 100 mm

MH-58B

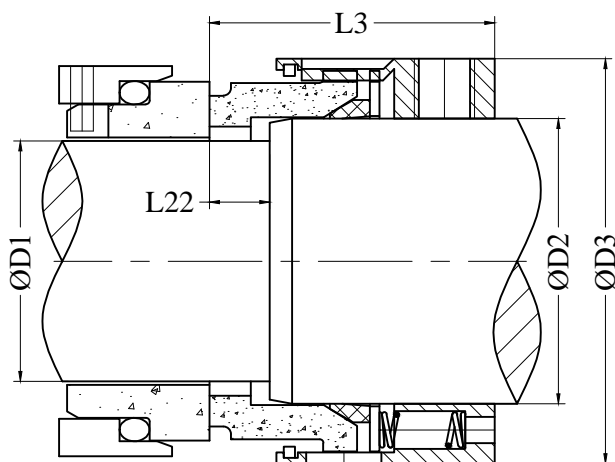


Type:MH-58B
 Replacement of JohnCrane 58B
 Balanced, Pressure: $\leq 6.2\text{MPa}$, Speed: $\leq 25\text{ m/s}$,
 Temperature: $-40^{\circ}\text{C} \sim +260^{\circ}\text{C}$
 Rotary Ring(Carbon/SiC/TC), Stationary Ring(Ceramic/SiC/TC)
 Secondary Seal(NBR/EPDM/VITON), Spring & Other
 Parts(SUS304/SUS316)

MH-58B/59B (mm)

D1	D2	D3	L3	L22
14	18	32	30.5	6
16	20	34	30.5	6
18	22	36	31.5	6.5
20	24	38	31.5	6.5
22	26	40	31.5	6.5
24	28	42	34.2	6.7
25	30	44	34.5	7
28	33	47	37.5	7.5
30	35	49	38	8
32	38	54	38	8
33	38	54	38	8
35	40	56	38	8
38	43	59	39.5	10
40	45	61	39.5	10
43	48	64	39.5	10
45	50	66	39.5	10
48	53	69	39.5	10
50	55	71	44	11.5
53	58	78	44	11.5
55	60	80	44	11.5
58	63	83	49	11.5
60	65	85	49	11.5
63	68	88	49	11.5
65	70	90	49	11.5
70	75	95	55	13.5
75	80	104	55	13.5
80	85	109	55	13
85	90	114	60	13
90	95	119	60	13
95	100	124	60	13
100	105	129	60	13

MH-59B



Type:MH-59B
 Replacement of JohnCrane 59B
 Balanced, Pressure: $\leq 5\text{MPa}$
 Speed: $\leq 25\text{ m/s}$
 Temperature: $-100^{\circ}\text{C} \sim +400^{\circ}\text{C}$
 Rotary Ring(Carbon/SiC/TC)
 Stationary Ring(Ceramic/SiC/TC)
 Secondary Seal(PTFE Wedge)
 Spring & Other Parts(SUS304/SUS316)

MH8-1/9-1

MH8-1/9-1 Standard Seal--Dimension Data/Inch

0.5 to 4 inch

Description:
Type:MH8-1

Replacement of JohnCrane 8-1

Unbalanced

Pressure: $\leq 1.7\text{MPa}$

Speed: $\leq 25\text{ m/s}$

Temperature: $-40^{\circ}\text{C} \sim +260^{\circ}\text{C}$

Rotary Ring(Carbon/SiC/TC)

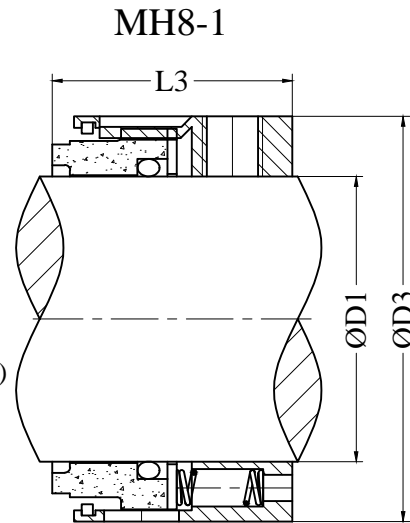
Stationary Ring(Ceramic/SiC/TC)

Secondary Seal(NBR/EPDM/VITON)

Spring & Other

Parts(SUS304/SUS316)

Full (8-1) cross-section designs.



MH8-1/9-1 (inch)

D1	D3	L3
0.500	1.031	0.812
0.625	1.187	0.750
0.750	1.312	0.875
0.875	1.437	0.937
1.000	1.562	1.000
1.125	1.687	1.062
1.250	1.875	1.062
1.375	2.000	1.125
1.500	2.125	1.125
1.625	2.375	1.375
1.750	2.500	1.375
1.875	2.625	1.375
2.000	2.750	1.375
2.125	3.000	1.687
2.250	3.125	1.687
2.375	3.250	1.687
2.500	3.375	1.687
2.625	3.500	1.687
2.750	3.625	1.687
2.875	3.750	1.687
3.000	3.812	1.687
3.125	3.937	1.687
3.250	4.125	1.687
3.375	4.250	1.687
3.500	4.375	1.687
3.625	4.500	1.687
3.750	4.625	1.687
3.875	4.750	1.687
4.000	4.875	1.687

Description:
Type:MH9-1

Replacement of JohnCrane 9-1

Unbalanced

Pressure: $\leq 2.4\text{MPa}$

Speed: $\leq 25\text{ m/s}$

Temperature: $-100^{\circ}\text{C} \sim +400^{\circ}\text{C}$

Rotary Ring(Carbon/SiC/TC)

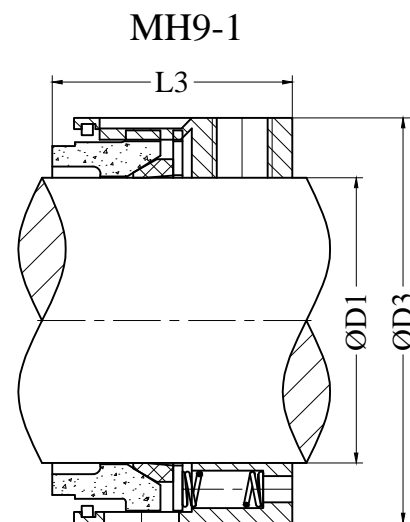
Stationary Ring(Ceramic/SiC/TC)

Secondary Seal(PTFE Wedge)

Spring & Other

Parts(SUS304/SUS316)

Full (9-1) cross-section designs.

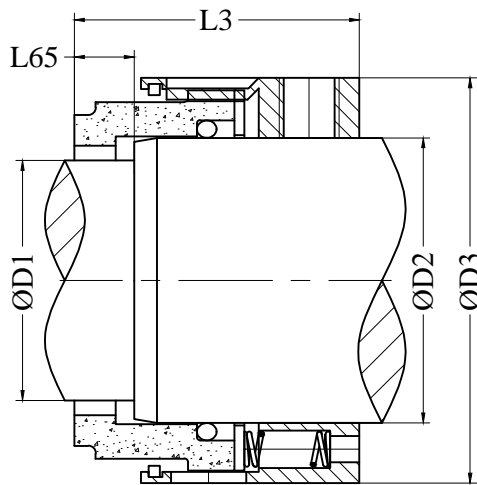


MH8B-1/9B-1

MH8B-1/9B-1 Standard Seal--Dimension Data/Inch

0.875 to 5.75 inch

MH8B-1

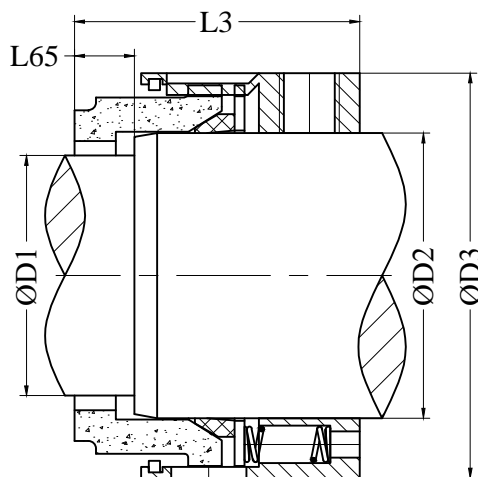


Type:MH8B-1
 Replacement of JohnCrane 8B-1
 Balanced, Pressure: ≤ 6.2 MPa, Speed: ≤ 25 m/s,
 Temperature: $-40^{\circ}\text{C} \sim +260^{\circ}\text{C}$
 Rotary Ring(Carbon/SiC/TC), Stationary Ring(Ceramic/SiC/TC)
 Secondary Seal(NBR/EPDM/VITON), Spring & Other
 Parts(SUS304/SUS316)
 Full (8B-1) cross-section designs.

MH8B-1/9B-1 (inch)

D1	D2	D3	L3	L65
0.875	1.000	1.562	1.312	0.343
1.000	1.125	1.687	1.375	0.343
1.125	1.250	1.875	1.375	0.343
1.125	1.375	2.000	1.437	0.343
1.250	1.500	2.125	1.437	0.343
1.375	1.625	2.375	1.750	0.437
1.500	1.750	2.500	1.750	0.437
1.625	1.875	2.625	1.750	0.437
1.750	2.000	2.750	1.750	0.437
1.875	2.125	3.000	2.062	0.500
2.000	2.250	3.125	2.062	0.500
2.125	2.375	3.250	2.062	0.500
2.250	2.500	3.375	2.062	0.500
2.375	2.625	3.500	2.062	0.500
2.500	2.750	3.625	2.062	0.500
2.625	2.875	3.750	2.062	0.500
2.750	3.000	3.812	2.062	0.500
2.875	3.125	3.937	2.062	0.562
3.000	3.250	4.125	2.062	0.562
3.125	3.375	4.250	2.062	0.562
3.250	3.500	4.375	2.062	0.562
3.375	3.625	4.500	2.062	0.562
3.500	3.750	4.625	2.062	0.562
3.625	3.875	4.750	2.062	0.562
3.750	4.000	4.875	2.062	0.562
3.875	4.125	5.000	2.062	0.562
4.000	4.250	5.250	2.062	0.562
4.125	4.375	5.375	2.062	0.562
4.250	4.500	5.500	2.062	0.562
4.375	4.625	5.625	2.062	0.562
4.500	4.750	5.750	2.062	0.562
4.625	4.875	5.875	2.062	0.562
4.750	5.000	6.000	2.062	0.562
4.875	5.125	6.125	2.062	0.562
5.000	5.250	6.500	2.375	0.625
5.125	5.375	6.625	2.375	0.625
5.250	5.500	6.750	2.375	0.625
5.375	5.625	6.875	2.375	0.625
5.500	5.750	7.000	2.375	0.625
5.625	5.875	7.125	2.375	0.625
5.750	6.000	7.250	2.375	0.625

MH9B-1



Type:MH9B-1
 Replacement of JohnCrane 9B-1
 Balanced, Pressure: ≤ 5 MPa
 Speed: ≤ 25 m/s
 Temperature: $-100^{\circ}\text{C} \sim +400^{\circ}\text{C}$
 Rotary Ring(Carbon/SiC/TC)
 Stationary Ring(Ceramic/SiC/TC)
 Secondary Seal(PTFE Wedge)
 Spring & Other Parts(SUS304/SUS316)
 Full (9B-1) cross-section designs.

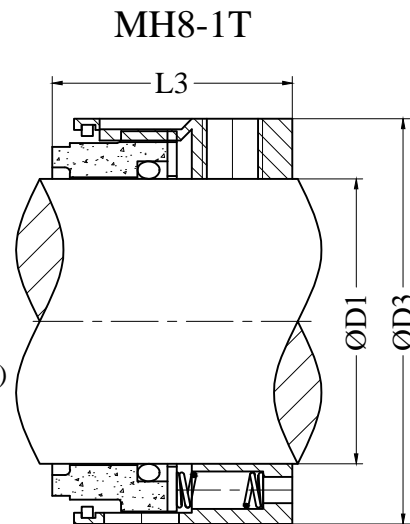
MH8-1T/9-1T

MH8-1T/9-1T Standard Seal--Dimension Data/Inch

0.5 to 4 inch



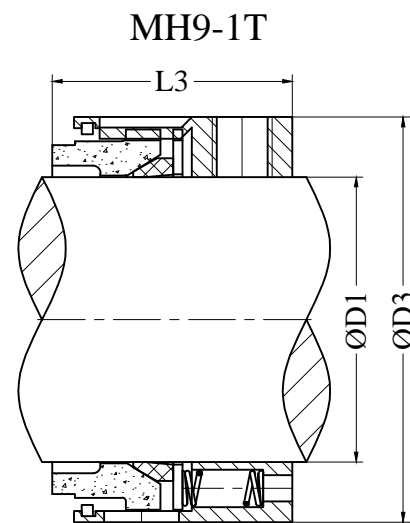
Description:
 Type:MH8-1T
 Replacement of JohnCrane 8-1T
 Unbalanced
 Pressure: $\leq 1.7\text{MPa}$
 Speed: $\leq 25\text{ m/s}$
 Temperature: $-40^{\circ}\text{C} \sim +260^{\circ}\text{C}$
 Rotary Ring(Carbon/SiC/TC)
 Stationary Ring(Ceramic/SiC/TC)
 Secondary Seal(NBR/EPDM/VITON)
 Spring & Other
 Parts(SUS304/SUS316)
 Narrow (8-1T) cross-section designs.



MH8-1T/9-1T (inch)

D1	D3	L3
0.500	0.937	0.937
0.625	1.062	0.937
0.750	1.187	0.937
0.875	1.312	0.937
1.000	1.437	1.000
1.125	1.562	1.000
1.250	1.687	1.000
1.375	1.937	1.375
1.500	1.937	1.125
1.625	2.250	1.156
1.750	2.312	1.375
1.875	2.500	1.375
2.000	2.625	1.375
2.125	2.812	1.687
2.250	2.843	1.375
2.375	3.000	1.687
2.500	3.125	1.375
2.625	3.250	1.687
2.750	3.375	1.687
2.875	3.500	1.687
3.000	3.625	1.687
3.125	3.750	1.687
3.250	3.875	1.687
3.375	4.000	1.687
3.500	4.125	1.687
3.625	4.250	1.687
3.750	4.375	1.687
3.875	4.500	1.687
4.000	4.625	1.687

Description:
 Type:MH9-1T
 Replacement of JohnCrane 9-1T
 Unbalanced
 Pressure: $\leq 2.4\text{MPa}$
 Speed: $\leq 25\text{ m/s}$
 Temperature: $-100^{\circ}\text{C} \sim +400^{\circ}\text{C}$
 Rotary Ring(Carbon/SiC/TC)
 Stationary Ring(Ceramic/SiC/TC)
 Secondary Seal(PTFE Wedge)
 Spring & Other
 Parts(SUS304/SUS316)
 Narrow (9-1T) cross-section designs.

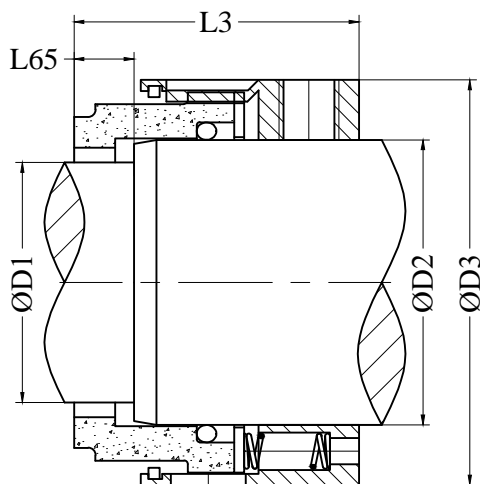


MH8B-1T/9B-1T

MH8B-1T/9B-1T Standard Seal--Dimension Data/Inch

0.875 to 5.75 inch

MH8B-1T

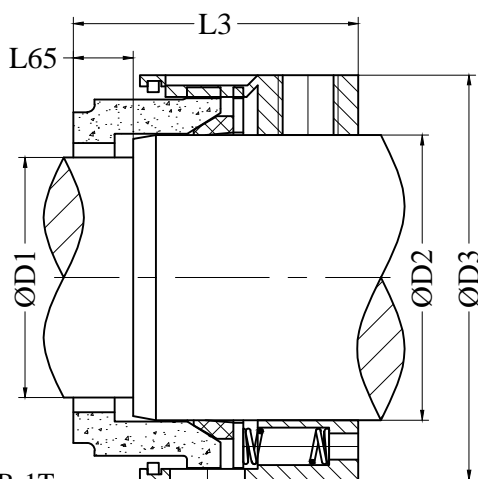


Type:MH8B-1T
 Replacement of JohnCrane 8B-1T
 Balanced, Pressure: ≤ 6.2 MPa, Speed: ≤ 25 m/s,
 Temperature: $-40^{\circ}\text{C} \sim +260^{\circ}\text{C}$
 Rotary Ring(Carbon/SiC/TC), Stationary Ring(Ceramic/SiC/TC)
 Secondary Seal(NBR/EPDM/VITON), Spring & Other
 Parts(SUS304/SUS316)
 Narrow (8B-1T) cross-section designs.

MH8B-1T/9B-1T (inch)

D1	D2	D3	L3	L65
0.875	1.000	1.437	1.312	0.343
1.000	1.125	1.562	1.375	0.343
1.125	1.250	1.687	1.375	0.343
1.125	1.375	1.937	1.687	0.343
1.250	1.500	1.937	1.437	0.343
1.375	1.625	2.250	1.593	0.437
1.500	1.750	2.312	1.750	0.437
1.625	1.875	2.500	1.750	0.437
1.750	2.000	2.625	1.750	0.437
1.875	2.125	2.812	2.062	0.500
2.000	2.250	2.843	1.750	0.500
2.125	2.375	3.000	2.062	0.500
2.250	2.500	3.125	1.750	0.500
2.375	2.625	3.250	2.062	0.500
2.500	2.750	3.375	2.062	0.500
2.625	2.875	3.500	2.062	0.500
2.750	3.000	3.625	2.062	0.500
2.875	3.125	3.750	2.062	0.562
3.000	3.250	3.875	2.062	0.562
3.125	3.375	4.000	2.062	0.562
3.250	3.500	4.125	2.062	0.562
3.375	3.625	4.250	2.062	0.562
3.500	3.750	4.375	2.062	0.562
3.625	3.875	4.500	2.062	0.562
3.750	4.000	4.625	2.062	0.562

MH9B-1



Type:MH9B-1T
 Replacement of JohnCrane 9B-1T
 Balanced, Pressure: ≤ 5 MPa
 Speed: ≤ 25 m/s
 Temperature: $-100^{\circ}\text{C} \sim +400^{\circ}\text{C}$
 Rotary Ring(Carbon/SiC/TC)
 Stationary Ring(Ceramic/SiC/TC)
 Secondary Seal(PTFE Wedge)
 Spring & Other Parts(SUS304/SUS316)
 Narrow (9B-1T) cross-section designs.

MH877/877-UNITEN

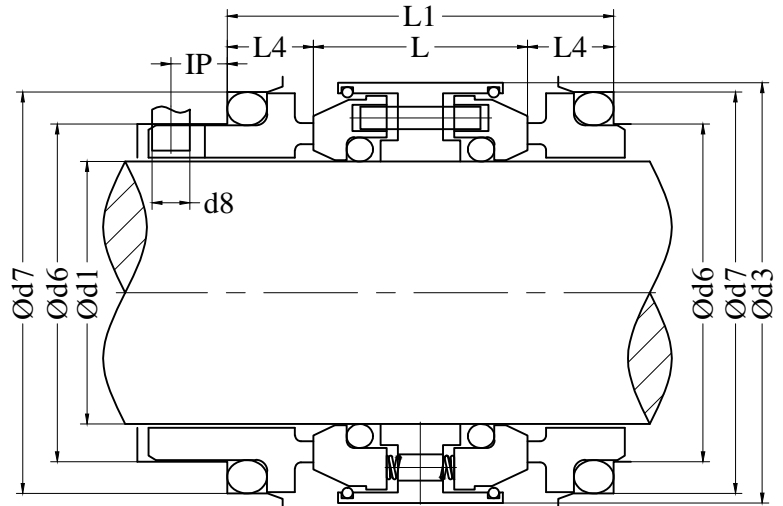
MH877/877-UNITEN Standard Seal--Dimension Data/Metric

20 to 100 mm

Type:MH877/877-UNITEN
 Replacement of ROTEN877/877-UNITEN
 Pressure: $\leq 1.4\text{MPa}$
 Speed: $\leq 15\text{ m/s}$
 Temperature: $-20^{\circ}\text{C}\sim+120^{\circ}\text{C}$
 Rotary Ring(Carbon/SiC/TC)
 Stationary Ring(Ceramic/SiC/TC)
 Secondary Seal(NBR/EPDM/VITON)



MH877



877								
d1	d6	d7	d3	L1	L	L4	d8	LP
20	25	30.9	40	39	23	8	3	4.5
25	33	38.2	44.5	42	25	8.5	4	5
28	38	43.3	47.5	43	25	9	4	6
30	38	43.3	50	45	27	9	4	6
32	38	43.3	52	45	27	9	4	6
35	45	53.5	56	51.5	28.5	11.5	5	7.5
43	52	60.5	71	53	30	11.5	5	7.5
50	64	72.5	80	53	30	11.5	5	8.5
55	64	72.5	88	58	35	11.5	5	8.5
65	77	84.5	98	58	35	11.5	5	8.5
70	82	89.5	108	58	35	11.5	5	8.5
75	87	94.5	120	63	40	11.5	5	8.5
80	92	99.5	125	63	40	11.5	5	8.5
85	98	105.5	130	67	40	13.5	5	8.5
90	105	111.5	135	72	45	13.5	5	8.5
95	110	116.5	140	72	45	13.5	5	8.5
100	114	119.5	145	72	45	13.5	5	8.5

877-UNITEN to EN12756								
d1	d6	d7	d3	L1	L	L4	d8	LP
20	29	35	40	43	23	10	3	5
25	34	40	44.5	45	25	10	3	5
28	37	43	47.5	38	25	6.5	3	5
30	39	45	50	47	27	10	3	5
32	42	48	52	47	27	10	3	5
35	44	50	56	48.5	28.5	10	3	5
43	54	61	71	56	30	13	4	5
50	62	70	80	58	30	14	4	5
55	67	75	88	63	35	14	4	5
65	77	85	98	63	35	14	4	5
70	83	92	108	67	35	16	4	5
75	88	97	120	72	40	16	4	5
80	95	105	125	76	40	18	4	5
85	100	110	130	76	40	18	4	5
90	105	115	135	81	45	18	4	5
95	110	120	140	81	45	18	4	5
100	115	125	145	81	45	18	4	5

MH196

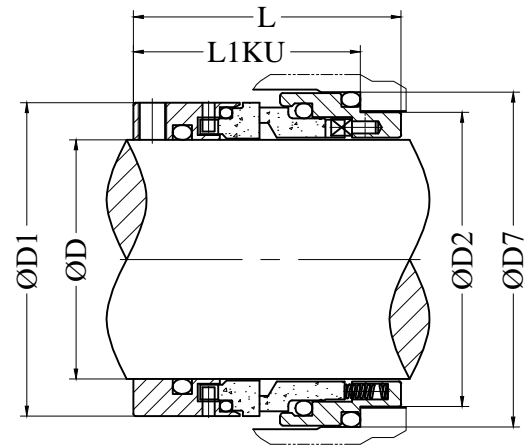
MH196 Standard Seal--Dimension Data

16 to 100 mm/0.750" to 4.000" inch

Type:MH196

Replacement of DEPAC196

- Stationary design principle
 - No scoring of the shaft or shaft sleeve
 - Fits installation spaces according to DIN 24960 / EN12756
- Rotary Ring(Carbon/SiC/TC), Stationary Ring(Ceramic/SiC/TC)
 Secondary Seal(NBR/EPDM/VITON), Spring & Other Parts(SUS304/SUS316)
 Pressure: 700 mm Hg to 30 bar
 Temperature: dependent on elastomer
 Sliding speed: up to 30 m/s



MH196 (mm)					
D	D1	D2	D7	L1KU	L
16	30	24.5	31	37.5	45
18	32	26.5	33	37.5	45
20	34	28.5	35	37.5	45
22	36	30.5	37	37.5	45
24	38	32.5	39	40	47.5
25	39	33.5	40	40	47.5
28	42	36.5	43	42.5	51
30	44	38.5	45	42.5	51
32	46	41.5	48	42.5	51
33	47	41.5	48	42.5	51
35	49	43.5	50	42.5	51
38	53.5	48.5	56	45	53.5
40	55.5	50.5	58	45	53.5
42	57.5	52.5	60	45	53.5
43	58.5	53.5	61	45	53.5
45	60.5	55.5	63	45	53.5
48	63.5	58.5	66	45	53.5
50	65.5	61.5	70	47.5	56
53	68.5	64.5	73	47.5	56
55	70.5	66.5	75	47.5	56
58	73.5	69.5	78	52.5	61
60	75.5	71.5	80	52.5	61
63	78.5	74.5	83	52.5	61
65	80.5	76.5	85	52.5	61
70	85.5	82.5	92	60	68.5
75	90.5	87.5	97	60	68.5
80	101	94.2	105	60	68.5
85	106	99.2	110	60	68.5
90	111	104.2	115	65	73.5
95	116	109.2	120	65	73.5
100	121	114.2	125	65	73.5

MH196 (inch)					
D	D1	D2	D7	L1KU	L
0.750	1.339	1.122	1.378	1.476	1.476
0.875	1.417	1.201	1.457	1.476	1.772
0.938	1.496	1.280	1.535	1.575	1.870
1.000	1.654	1.437	1.693	1.673	2.008
1.125	1.732	1.516	1.772	1.673	2.008
1.250	1.811	1.634	1.890	1.673	2.008
1.375	1.929	1.713	1.969	1.673	2.008
1.500	2.106	1.909	2.205	1.772	2.106
1.625	2.303	2.106	2.402	1.772	2.106
1.750	2.382	2.185	2.480	1.772	2.106
1.875	2.500	2.303	2.598	1.772	2.106
2.000	2.697	2.539	2.874	1.870	2.205
2.125	2.776	2.618	2.953	1.870	2.205
2.250	2.894	2.736	3.071	2.067	2.402
2.375	3.091	2.933	3.268	2.067	2.402
2.500	3.169	3.012	3.346	2.067	2.402
2.625	3.366	3.248	3.622	2.362	2.697
2.750	3.366	3.248	3.622	2.362	2.697
2.875	3.563	3.445	3.819	2.362	2.697
3.000	3.976	3.709	4.134	2.362	2.697
3.125	3.976	3.709	4.134	2.362	2.697
3.250	4.173	3.906	4.331	2.362	2.697
3.375	4.370	4.102	4.528	2.559	2.894
3.500	4.370	4.102	4.528	2.559	2.894
3.625	4.567	4.299	4.724	2.559	2.894
3.750	4.764	4.496	4.921	2.559	2.894
3.875	4.764	4.496	4.921	2.559	2.894
4.000	4.921	4.693	5.118	2.559	2.894

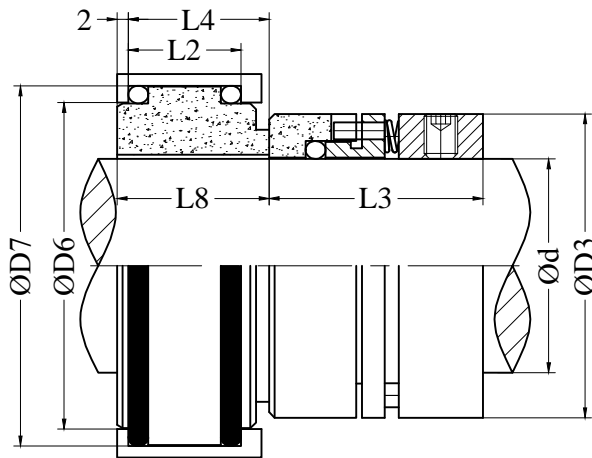
MH-RO-A

MH-RO-A Standard Seal--Dimension Data

20 to 100 mm

Type:MH-RO-A
 Replacement of Flowserve RO
 Rotary Ring(Carbon/SiC/TC),
 Stationary
 Ring(Ceramic/SiC/TC)
 Secondary
 Seal(NBR/EPDM/VITON),
 Spring & Other
 Parts(SUS304/SUS316)
 Pressure: 10 bar
 Temperature: dependent on
 elastomer
 Sliding speed: up to15 m/s

MH-RO-A



MH-RO-A

d	D3	D6	D7	L2	L3	L4	L8
20	34	36	42	18	35	23	25
22	36	38	44	18	35	23	25
24	38	40	46	18	35	23	25
25	39	41	47	18	35	23	25
28	42	44	50	18	35	23	25
30	44	46	52	18	35	23	25
32	46	48	54	18	35	23	25
33	47	49	55	18	35	23	25
35	49	51	57	18	35	23	25
38	54	58	64	20	38	25	27
40	56	60	66	20	38	25	27
42	58	62	68	20	38	25	27
43	59	63	69	20	38	25	27
45	61	65	71	20	38	25	27
48	64	68	74	20	38	25	27
50	66	70	76	20	39	25	27
52	68	72	78	20	40	25	27
53	69	73	79	20	40	25	27
55	71	75	81	20	40	25	27
58	76	83	89	22	41	28	30
60	78	85	91	22	41	28	30
62	80	87	93	22	41	28	30
63	81	88	94	22	41	28	30
65	83	90	96	22	41	28	30
68	86	93	99	24	41	30	32
70	90	95	101	24	42	30	32
75	95	104	110	24	42	30	32
80	100	109	115	25	42	31	33
85	105	114	120	25	43	31	33
90	110	119	125	25	45	31	33
95	115	124	130	25	45	31	33
100	120	129	135	25	45	31	33

MH-RO-B

MH-RO-B Standard Seal--Dimension Data

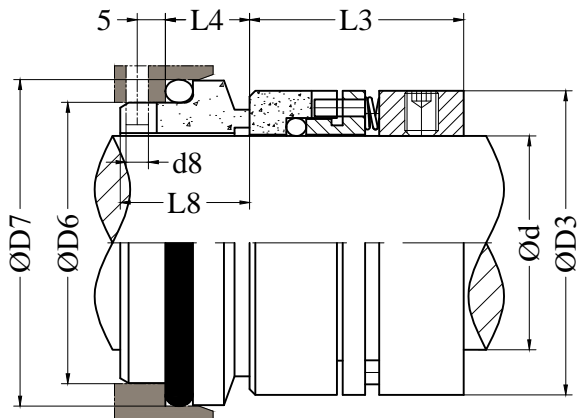
20 to 100 mm

Type:MH-RO-B
 Replacement of Flowserve RO
 Rotary Ring(Carbon/SiC/TC),
 Stationary
 Ring(Ceramic/SiC/TC)
 Secondary
 Seal(NBR/EPDM/VITON),
 Spring & Other
 Parts(SUS304/SUS316)
 Pressure: 10 bar
 Temperature: dependent on
 elastomer
 Sliding speed: up to 15 m/s

MH-RO-B

d	D3	D6	D7	D8	L3
20	34	29	35	3	35
22	36	31	37	3	35
24	38	33	39	3	35
25	39	34	40	3	35
28	42	37	43	3	35
30	44	39	45	3	35
32	46	42	48	3	35
33	47	42	48	3	35
35	49	44	50	3	35
38	54	50	56	4	38
40	56	52	58	4	38
43	59	55	61	4	38
45	61	57	63	4	38
48	64	60	66	4	38
50	66	62	68	4	39
53	69	65	71	4	40
55	71	67	73	4	40
58	76	70	79	4	41
60	78	72	81	4	41
63	81	75	84	4	41
65	83	77	86	4	41
68	86	81	90	4	41
70	90	83	92	4	42
75	95	88	97	4	42
80	100	96	105	4	42
85	105	101	110	4	43
90	110	106	115	4	45
95	115	111	120	4	45
100	120	116	125	4	45

MH-RO-B



MH891

MH891 Standard Seal--Dimension Data/Metric

16 to 200 mm

Description:

Type:MH891

Replacement of Chesterton 891

Pressure: ≤ 4 MPa

Speed: ≤ 20 m/s

Temperature: $-55^{\circ}\text{C} \sim +300^{\circ}\text{C}$

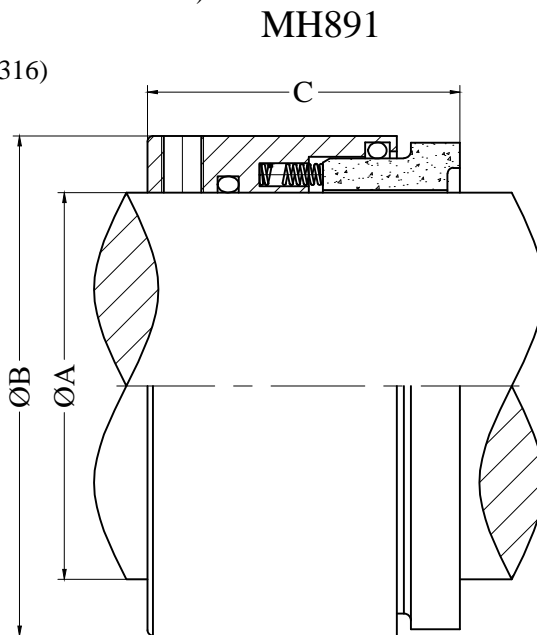
Rotary Ring(Carbon/SiC/TC)

Stationary Ring(Ceramic/SiC/TC)

Secondary Seal(NBR/EPDM/VITON)

Spring & Other

Parts(SUS304/SUS316)



MH891

MH891		
ΦA	ΦB	C
16	30.45	35
18	32.28	35
20	34.29	35
22	36.30	35
24	38.30	35
25	39.29	35
28	42.29	35
30	44.30	35
32	46.30	44.45
33	47.90	44.45
35	49.48	44.45
38	54.28	44.45
40	56.08	44.45
43	59.08	44.45
45	61.09	44.45
48	64.11	44.45
50	66.09	44.45
55	71.07	44.45
60	77.14	44.45
65	83.01	44.45
70	86.08	44.45
75	98.43	50.8
80	104.78	50.8
85	107.95	50.8
90	114.30	50.8
95	117.48	50.8
100	123.83	50.8
110	133.35	50.8
120	152.40	92.07
125	158.75	92.07
130	165.10	92.07
135	171.45	92.07
140	171.45	92.07
145	177.80	92.07
150	184.15	92.07
155	190.50	92.07
160	196.85	92.07
165	196.85	92.07
170	203.20	92.07
175	209.55	92.07
180	215.90	92.07
185	215.90	92.07
190	222.25	92.07
195	228.60	92.07
200	234.95	92.07



MH891

MH891 Standard Seal--Dimension Data/Inch

0.750" to 8.000" inch

Description:

Type:MH891

Replacement of Chesterton 891

Pressure: ≤ 4 MPa

Speed: ≤ 20 m/s

Temperature: $-55^{\circ}\text{C} \sim +300^{\circ}\text{C}$

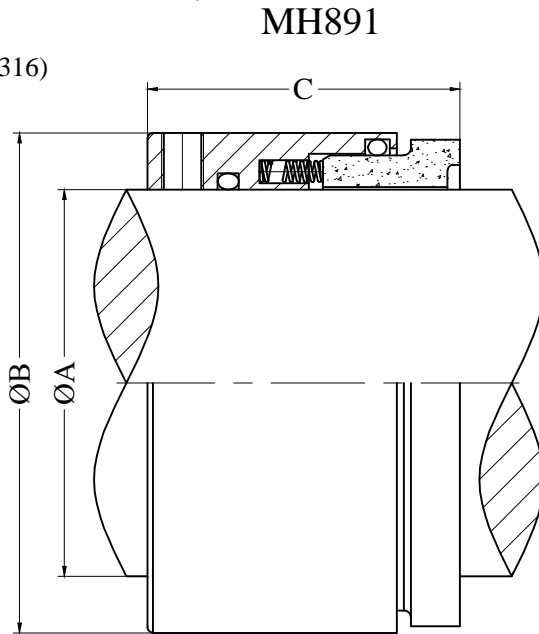
Rotary Ring(Carbon/SiC/TC)

Stationary Ring(Ceramic/SiC/TC)

Secondary Seal(NBR/EPDM/VITON)

Spring & Other

Parts(SUS304/SUS316)



MH891

MH891

ΦA	ΦB	C
0.750	1.323	1.375
0.875	1.448	1.375
1.000	1.573	1.375
1.125	1.698	1.375
1.250	1.823	1.750
1.375	1.948	1.750
1.500	2.143	1.750
1.625	2.268	1.750
1.750	2.393	1.750
1.875	2.518	1.750
2.000	2.643	1.750
2.125	2.768	1.750
2.250	2.893	1.750
2.375	3.018	1.750
2.500	3.143	1.750
2.625	3.268	1.750
2.750	3.625	2.000
2.875	3.750	2.000
3.000	3.875	2.000
3.125	4.000	2.000
3.250	4.125	2.000
3.375	4.250	2.000
3.500	4.375	2.000
3.625	4.500	2.000
3.750	4.625	2.000
3.875	4.750	2.000
4.000	4.875	2.000
4.125	5.000	2.000
4.250	5.125	2.000
4.375	5.250	2.000
4.500	5.375	2.000
4.750	6.000	3.625
5.000	6.250	3.625
5.250	6.500	3.625
5.500	6.750	3.625
5.750	7.000	3.625
6.000	7.250	3.625
6.250	7.500	3.625
6.500	7.750	3.625
6.750	8.000	3.625
7.000	8.250	3.625
7.250	8.500	3.625
7.500	8.750	3.625
7.750	9.000	3.625
8.000	9.250	3.625



MH491

MH491 Standard Seal--Dimension Data/mm

16 to 110 mm

Description:

Type:MH491

Replacement of Chesterton 491

Pressure: ≤ 1 MPaSpeed: ≤ 20 m/sTemperature: $-55^{\circ}\text{C} \sim +300^{\circ}\text{C}$

Rotary Ring(Carbon/SiC/TC)

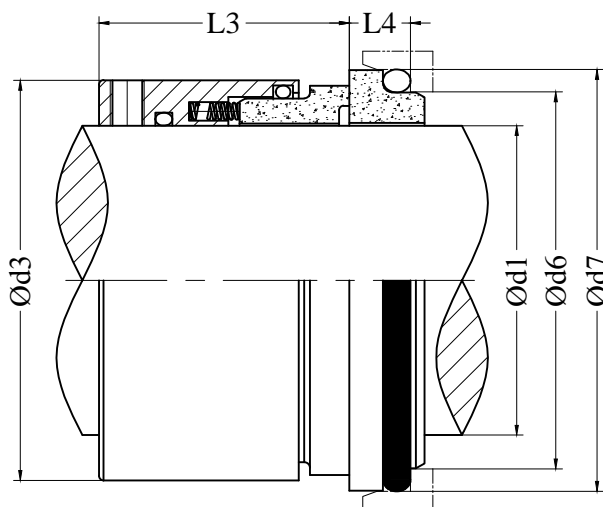
Stationary Ring(Ceramic/SiC/TC)

Secondary Seal(NBR/EPDM/VITON)

Spring & Other

Parts(SUS304/SUS316)

MH491



MH491					
Ød1	Ød3	Ød6	Ød7	L3	L4
16	28.9	23	27	30	5
18	32.3	27	33	30	7.5
20	34.3	29	35	30	7.5
22	36.3	31	37	30	7.5
24	38.4	33	39	30	7.5
25	39.3	34	40	30	7.5
28	42.3	37	43	35	7.5
30	44.3	39	45	35	7.5
32	46.4	42	48	35	7.5
33	48	42	48	35	7.5
35	49.5	44	50	35	7.5
38	54.3	49	56	35	9
40	56.1	51	58	35	9
43	59.1	54	61	35	9
45	61.1	56	63	35	9
48	64.2	59	66	35	9
50	66.1	62	70	35	9
53	69.1	65	73	35	11
55	71.1	67	75	35	11
60	76.1	72	80	35	11
65	81.1	77	85	35	11
68	86.1	81	90	35	11.3
70	86.1	83	92	35	11.3
75	98.6	88	97	48	11.3
80	104.2	95	105	48	12
85	108.1	100	110	48	12
90	114	105	115	48	14
100	117.6	115	125	48	14
110	133.5	125	135	48	14

MH440

MH440 Standard Seal--Dimension Data

0.937" to 4.500" inch / 24 to 110 mm

Description:

Type:MH440

Replacement of Chesterton 440

Pressure: ≤ 1 MPaSpeed: ≤ 20 m/sTemperature: $-55^{\circ}\text{C} \sim +300^{\circ}\text{C}$

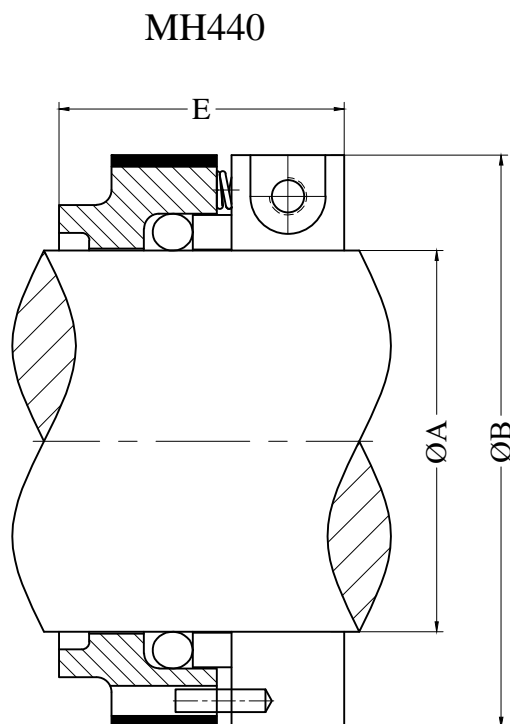
Rotary Ring(Carbon/SiC/TC)

Stationary Ring(Ceramic/SiC/TC)

Secondary Seal(NBR/EPDM/VITON)

Spring & Other

Parts(SUS304/SUS316)



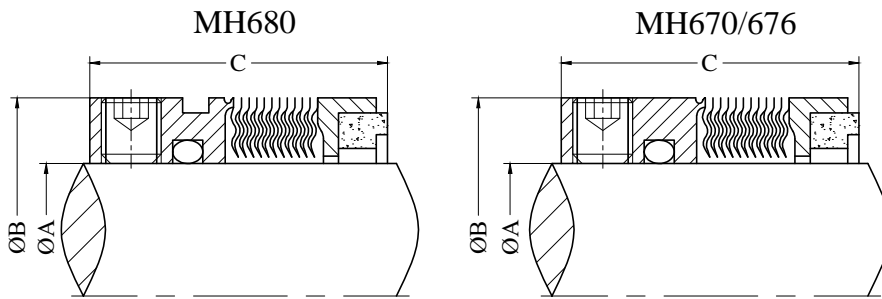
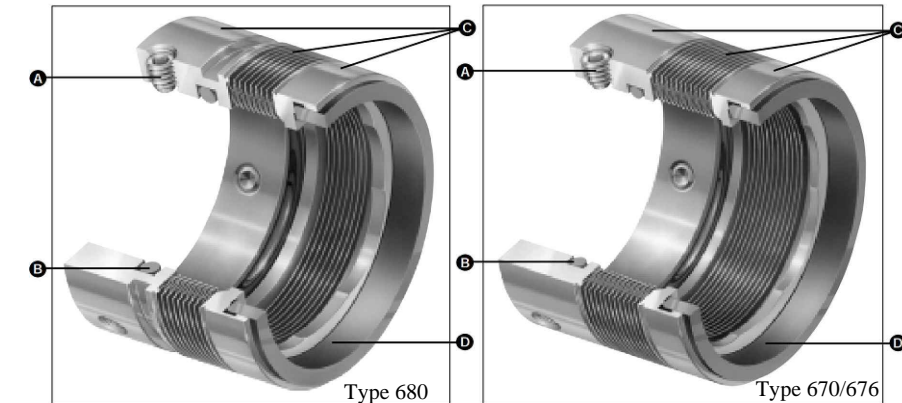
MH440 (inch)		
ΦA	ΦB	E
0.937	1.937	1.500
1.000	2.000	1.500
1.125	2.125	1.500
1.250	2.250	1.500
1.375	2.375	1.500
1.437	2.500	1.500
1.500	2.500	1.500
1.625	2.625	1.500
1.750	2.750	1.500
1.875	2.875	1.500
2.000	3.000	1.500
2.125	3.125	1.500
2.250	3.250	1.500
2.375	3.375	1.500
2.500	3.500	1.500
2.625	3.625	1.500
2.750	3.850	1.625
2.875	3.980	1.625
3.000	4.110	1.625
3.125	4.230	1.625
3.250	4.360	1.625
3.375	4.480	1.625
3.500	4.610	1.625
3.625	4.730	1.625
3.750	4.860	1.625
3.875	4.980	1.625
4.000	5.110	1.625
4.125	5.230	1.625
4.250	5.360	1.625
4.375	5.480	1.625
4.500	5.610	1.625

MH440 (mm)		
ΦA	ΦB	E
24	49.2	38
25	50	38
28	54	38
30	57.2	38
32	57.2	38
35	60.3	38
38	63.5	38
40	66.7	38
42	69.9	38
45	69.9	38
48	73	38
50	76.2	38
55	79.4	38
60	85.7	38
65	92.1	38
70	98	41.5
75	104.4	41.5
80	108.2	41.5
85	113.8	41.5
90	118.1	41.5
95	123.4	41.5
100	128.3	41.5
110	139.2	41.5

MH670/676/680

MH670/676/680 Standard Metal Bellows Seal--Dimension Data/Inch

0.75" to 7" inch



Description:

Type:MH670/676/680

Replacement of JohnCrane670/676/680

- A – Set Screws
- B – Shaft Packing
- C – Bellows Assembly
- D – Insert/Primary Ring

*** Type 670:**

All-Alloy C-276 high-strength low-temperature bellows assembly for highly corrosive applications.

***Type 676:**

AM350 low-temperature bellows assembly for large sizes and mildly corrosive applications.

*** Type 680:**

All-Alloy 20 low-temperature high performance seal for use on a broad range of corrosive media.

*** Temperature:**

-75°C to +290°C/-100°F to +550°F (depending on materials used)

*** Pressure:**

Vacuum to 25 bar/360 psi (see Basic Pressure Ratings curve)

*** Speed:**

Up to 25m/s / 5,000 fpm

DESCRIPTION	MATERIALS
Seal Components	Seal Types Standard Options
Bellows	Type 670 Alloy C-276 (UNS N10276) — Type 676 AM350 SS (UNS S35000)
End-Fittings	Type 680 Alloy 20 (UNS N08020)
Insert/Primary Ring	Type 670 Alloy C-276 — Type 676 316L SS (UNS S31603)
Static Seals	Type 680 Alloy 20 Tungsten Carbide, Silicon Carbide
Fluorocarbon, PTFE	—
Encapsulated	Fluorocarbon, Nitrile, Perfluoroelastomer

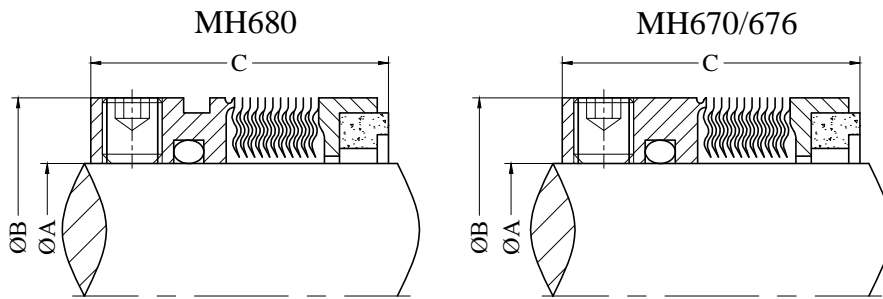
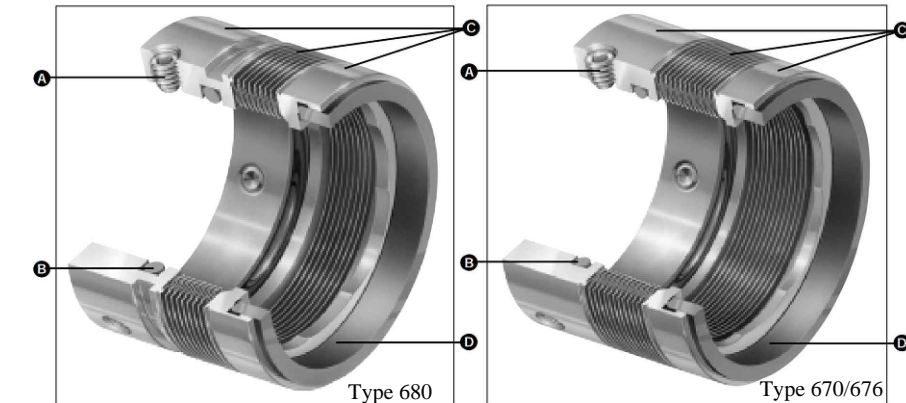
size code	A	B	C
-12	0.750	1.312	1.250
-14	0.875	1.437	1.250
-15	0.937	1.500	1.250
-16	1.000	1.562	1.250
-18	1.125	1.687	1.250
-20	1.250	1.812	1.312
-22	1.375	1.937	1.437
-24	1.500	2.062	1.437
-26	1.625	2.187	1.437
-28	1.750	2.312	1.437
-30	1.875	2.437	1.500
-32	2.000	2.562	1.500
-34	2.125	2.687	1.500
-36	2.250	2.812	1.562
-38	2.375	2.937	1.562
-40	2.500	3.187	1.562
-42	2.625	3.312	1.625
-44	2.750	3.437	1.625
-46	2.875	3.625	1.687
-48	3.000	3.750	1.687
-50	3.125	3.875	1.750
-52	3.250	4.000	1.750
-54	3.375	4.125	1.750
-56	3.500	4.250	1.875
-58	3.625	4.375	1.875
-60	3.750	4.500	1.875
-62	3.875	4.625	1.875
-64	4.000	4.750	1.875
-68*	4.250	5.187	1.903
-72*	4.500	5.438	1.903
-76*	4.750	5.688	1.903
-80*	5.000	5.938	1.903
-84*	5.250	6.213	1.903
-88*	5.500	6.463	1.903
-92*	5.750	6.714	1.903
-96*	6.000	6.964	1.903
-104*	6.500	7.470	1.903
-112*	7.000	7.971	1.903

*670/676 only

MH670/676/680

MH670/676/680 Standard Metal Bellows Seal--Dimension Data/Metric

18 to 150 mm



Description:

Type:MH670/676/680

Replacement of JohnCrane670/676/680

- A – Set Screws
- B – Shaft Packing
- C – Bellows Assembly
- D – Insert/Primary Ring

*** Type 670:**

All-Alloy C-276 high-strength low-temperature bellows assembly for highly corrosive applications.

***Type 676:**

AM350 low-temperature bellows assembly for large sizes and mildly corrosive applications.

*** Type 680:**

All-Alloy 20 low-temperature high performance seal for use on a broad range of corrosive media.

*** Temperature:**

-75°C to +290°C/-100°F to +550°F (depending on materials used)

*** Pressure:**

Vacuum to 25 bar/360 psi (see Basic Pressure Ratings curve)

*** Speed:**

Up to 25m/s / 5,000 fpm

DESCRIPTION MATERIALS
 Seal Components Seal Types Standard Options
 Bellows Type 670 Alloy C-276 (UNS N10276) —
 Type 676 AM350 SS (UNS S35000)
 Type 680 Alloy 20 (UNS N08020)
 End-Fittings Type 670 Alloy C-276 —
 Type 676 316L SS (UNS S31603)
 Type 680 Alloy 20
 Insert/Primary Ring Premium Carbon Grade —
 Tungsten Carbide, Silicon Carbide
 Static Seals Fluorocarbon, EPR, PTFE- —
 Encapsulated Fluorocarbon, Nitrile, Perfluoroelastomer

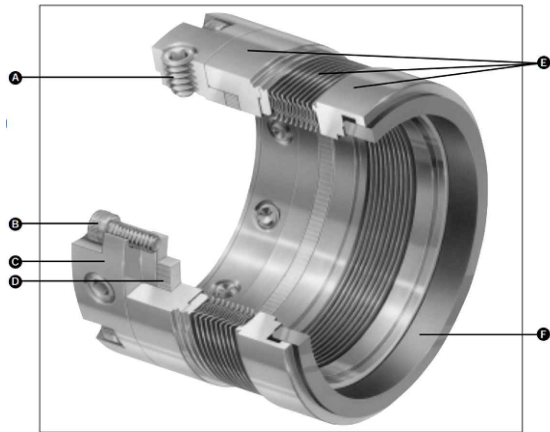
size code	A	B	C
-018	18	32.0	27.5
-020	20	33.3	27.5
-022	22	36.0	27.5
-024	24	38.1	30.0
-025	25	39.0	30.0
-028	28	42.0	32.5
-030	30	44.0	32.5
-032	32	46.0	32.5
-033	33	47.0	32.5
-035	35	49.2	32.5
-038	38	52.4	34.0
-040	40	55.6	34.0
-043	43	58.7	34.0
-045	45	58.7	34.0
-048	48	61.9	34.0
-050	50	65.1	34.5
-053	53	68.3	34.5
-055	55	71.0	34.5
-060	60	74.6	39.5
-065	65	84.1	39.5
-070	70	87.3	45.0
-075	75	95.3	45.0
-080	80	98.4	44.5
-085	85	104.8	44.5
-090	90	108.0	49.5
-095	95	114.3	49.5
-0100*	100	120.7	49.5
-0105*	105	131.7	48.3
-0110*	110	138.1	48.3
-0115*	115	144.5	48.3
-0120*	120	144.5	48.3
-0125*	125	150.8	48.3
-0130*	130	157.8	48.3
-0140*	140	170.5	48.3
-0150*	150	176.9	48.3

*670/676 only

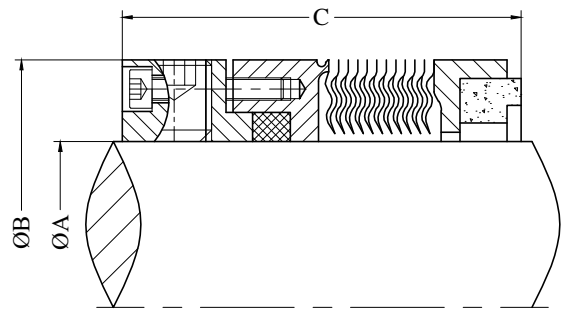
MH609

MH609 Standard Metal Bellows Seal--Dimension Data

1 to 4 inch



- A – Set Screws
- B – Socket Head Cap Screws
- C – Compression Ring
- D – Flexible Graphite Packing
- E – Bellows Assembly
- F – Insert/Primary Ring



Description:

Type:MH609

Replacement of JohnCrane609

* Type 609:

High-temperature rotary bellows assembly with narrow cross-section design for easy fit.

* Temperature:

-75°C to + 425°C/-100°F to + 800°F
(with flexible graphite static packing)

* Pressure:

Vacuum to 25 bar/360 psi

Vacuum to 69 bar/1,000 psi (with DOUBLE bellows)

(see Basic Pressure Ratings curve)

* Speed:

up to 25m/s/5,000 fpm for Type 609

DESCRIPTION MATERIALS

Seal Components Standard Options

Bellows Alloy 718 (UNS N07718) Heat Treated AM350 (UNS S35000)

Insert/Primary Ring Premium Carbon Grade —

Silicon Carbide

Tungsten Carbide

Static Seals Flexible Graphite —

Shell/Primary Ring Adaptor Alloy 42 (UNS K94100) —

Adaptor Alloy 625 (UNS N06625) 347 Stainless Steel (UNS S34700)

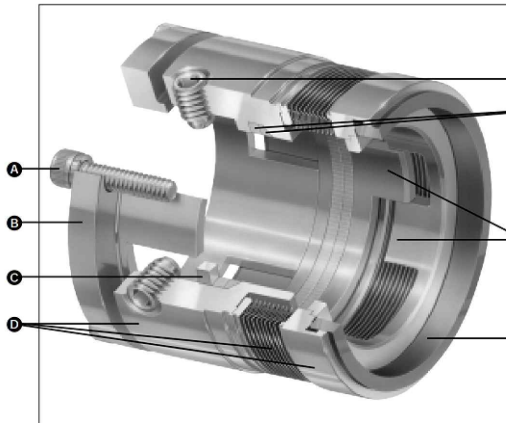


size code	A inch	B inch	C inch
-16	1.000	1.625	1.531
-18	1.125	1.750	1.562
-20	1.250	1.875	1.593
-22	1.375	2.000	1.593
-24	1.500	2.125	1.593
-26	1.625	2.250	1.593
-28	1.750	2.375	1.625
-30	1.875	2.500	1.625
-32	2.000	2.625	1.656
-34	2.125	2.750	1.656
-36	2.250	2.875	1.719
-38	2.375	3.000	1.719
-40	2.500	3.250	1.750
-42	2.625	3.375	1.781
-44	2.750	3.500	1.781
-46	2.875	3.687	1.875
-48	3.000	3.812	1.875
-50	3.125	4.000	1.875
-52	3.250	4.125	1.875
-54	3.375	4.250	1.875
-56	3.500	4.375	1.875
-58	3.625	4.500	1.875
-60	3.750	4.625	1.875
-62	3.875	4.750	1.875
-64	4.000	4.875	1.875

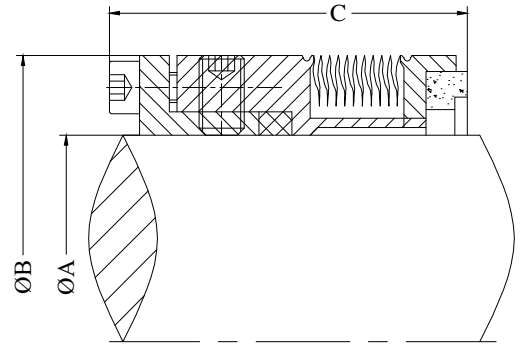
MH606

MH606 Standard Metal Bellows Seal--Dimension Data

0.75 to 3.75 inch



- A – Socket Head Cap Screws
- B – Compression Ring
- C – Spacer Ring
- D – Bellows Assembly
- E – Set Screws
- F – Flexible Graphite Packing
- G – Drive Lugs
- H – Insert/Primary Ring



Description:

Type:MH606

Replacement of JohnCrane606

* Type 606:

High-temperature rotary bellows assembly with drive lugs under the bellows for additional rotational drive in viscous or thermosetting applications.

* Temperature:

-75°C to + 425°C/-100°F to + 800°F
(with flexible graphite static packing)

* Pressure:

Vacuum to 25 bar/360 psi
Vacuum to 69 bar/1,000 psi (with DOUBLE bellows)
(see Basic Pressure Ratings curve)

* Speed:

up to 25m/s/5,000 fpm for Type 606

DESCRIPTION MATERIALS

- Seal Components Standard Options
- Bellows Alloy 718 (UNS N07718) Heat Treated AM350 (UNS S35000)
- Insert/Primary Ring Premium Carbon Grade — Silicon Carbide
- Tungsten Carbide
- Static Seals Flexible Graphite —
- Shell/Primary Ring Adaptor Alloy 42 (UNS K94100) —
- Adaptor Alloy 625 (UNS N06625) 347 Stainless Steel (UNS S34700)

size code	A inch	B inch	C inch
-16	0.750	1.625	2.312
-18	0.875	1.750	2.343
-20	1.000	1.875	2.343
-22	1.125	2.000	2.375
-24	1.250	2.125	2.375
-26	1.375	2.250	2.468
-28	1.500	2.375	2.500
-30	1.625	2.500	2.500
-32	1.750	2.625	2.531
-34	1.875	2.750	2.531
-36	2.000	2.875	2.562
-38	2.125	3.000	2.562
-40	2.250	3.250	2.750
-42	2.375	3.375	2.781
-44	2.500	3.500	2.781
-46	2.625	3.687	2.875
-48	2.750	3.812	3.000
-50	2.875	4.000	3.000
-52	3.000	4.125	3.000
-54	3.125	4.250	3.000
-56	3.250	4.375	3.000
-58	3.375	4.500	3.000
-60	3.500	4.625	3.000
-62	3.625	4.750	3.000
-64	3.750	4.875	3.000

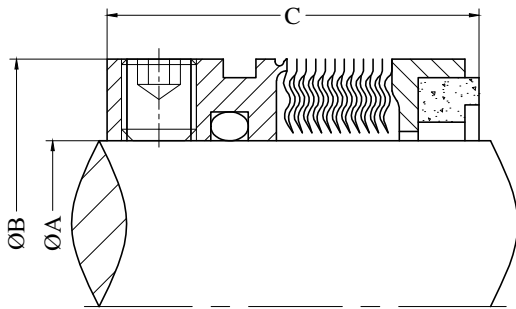


MH-MFL85N/MFLWT80

MH-MFL85N/MFLWT80 Standard Metal Bellows Seal--Dimension Data/mm

16 to 100 mm

MH-MFL85N

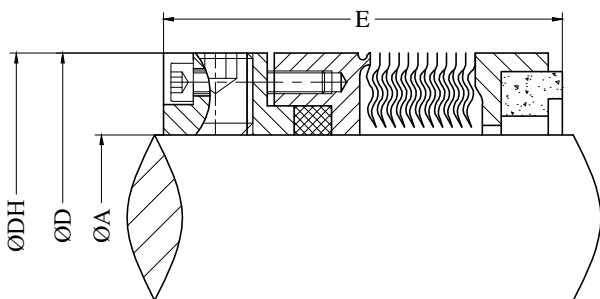


Type:MH-MFL85N
 Replacement of Burgmann MFL85N
 Single seal, Balanced
 Independent of direction of rotation
 Metal bellows, To EN 12756
 * Temperature: -40°C to +220°C/-40°F to +428°F
 * Pressure: 25 bar/360 psi
 * Speed: Up to 20m/s / 66ft/s

MH-MFL85N/MFLWT80

A	B	C	D	DH	E
16	30	32.5	38	—	46.5
18	32	30.5	40	—	46.5
20	33.5	30.5	42	—	46.5
22	36.5	30.5	44	—	46.5
24	39	28.5	46	49.8	46.5
25	39.6	28.5	47	51.7	46.5
28	42.8	31	50	54.5	46.5
30	45	31	52	56.6	46.5
32	46	31	54	59.5	46.5
33	48	31	55	59.5	46.5
35	49.2	31	57	62.5	46.5
38	52.3	31	60	65.7	46.5
40	55.5	31	66	65.7	47.5
43	57.5	31	69	68.6	47.5
45	58.7	31	71	71.5	47.5
48	61.9	31	74	75.1	47.5
50	65	32.5	76	76.1	47.5
53	68.2	32.5	79	80.8	47.5
55	70	32.5	81	80.8	47.5
58	71.7	37.5	85	84	53
60	74.6	37.5	87	92.3	53
63	79	37.5	90	95.5	53
65	84.1	37.5	92	95.5	53
68	87.3	34.5	95	101.3	53
70	87.3	42	97	101.3	53
75	95	42	102	105	52.8
80	98.4	41.8	107	110.6	52.8
85	104.7	41.8	112	117	52.8
90	111	46.8	117	120.2	53.8
95	114	47.8	122	125.2	53.8
100	117.4	47.8	127	130.2	54

MH-MFLWT80



Type:MH-MFLWT80
 Replacement of Burgmann MFLWT80
 Single seal, Balanced
 Independent of direction of rotation
 Metal bellows, To EN 12756
 * Temperature: -20°C to +400°C/
 * Pressure: 25 bar/360 psi
 * Speed: Up to 20m/s / 66ft/s



DH Executed in Hastelloy

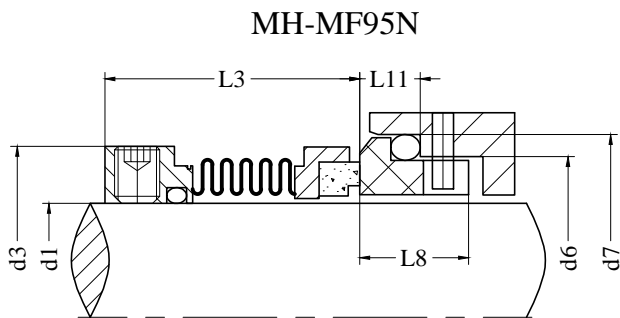
MH-MF95N

MH-MF95N Standard Metal Bellows Seal--Dimension Data/mm

14 to 100 mm

Description:
 Type:MH-MF95N
 Replacement of
 Burgmann MF95N
 Single seal
 Balanced
 Independent of direction
 of rotation
 Metal roller bellows
 EN 12756*

d1 = 14 ... 100 mm 0.55" ... 3.94"
 t = -40 ...+220 °C -40 °F ...428 °F
 = (SiC against carbon) =
 = -40 ...+180 °C -40 °F ...356 °F
 = (SiC against SiC)
 p = 16 bar 232 PSI
 vg = 20 m/s 66 ft/s
 permissible axial movement: ± 0.5 mm



Standard Stationary is Type G16 seat.
 You can choose options.



MH-MF95N						
d1	d3	d6	d7	L3	L8	L11
14	24	21	25	30.5	15	5.5
16	26	23	27	29.5	15	5.5
18	32	27	33	30.5	15	7
20	34	29	35	30.5	15	7
22	36	31	37	30.5	15	7
24	39	33	39	33	15	7
25	39	34	40	33	15	7
28	42	37	43	35.5	15	7
30	44	39	45	35.5	15	7
32	46	42	48	35.5	15	7
33	47	42	48	35.5	15	7
35	49	44	50	35.5	15	7
38	54	49	56	37	16	8
40	56	51	58	37	16	8
43	59	54	61	37	16	8
45	61	56	63	37	16	8
48	64	59	66	37	16	8
50	66	62	70	38	17	9.5
53	69	65	73	38	17	9.5
55	71	67	75	38	17	9.5
58	78	70	78	42	18	10.5
60	80	72	80	42	18	10.5
63	83	75	83	42	18	10.5
65	85	77	85	42	18	10.5
68	87	81	90	41.5	18.5	11
70	90	83	92	48.5	19	11.5
75	99	88	97	48.5	19	11.5
80	104	95	105	48.5	19	11.5
85	109	100	110	48.5	19	11.5
90	114	105	115	52	20.5	13
95	119	110	120	52	20.5	13
100	124	115	125	52	20.5	13

MH-BSAI

MH-BSAI Standard Metal Bellows Seal--Dimension Data/Inch

1" to 4" inch

Description:

Type:MH-BSAI

Replacement of AES BSAI

* Temperature:

-75°C to +290°C/-100°F to +550°F
(depending on materials used)

* Pressure:

25 bar/360 psi

* Speed:

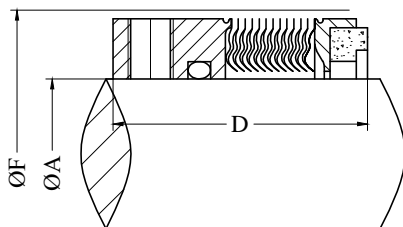
Up to 25m/s / 5,000 fpm

MH-BSAI (inch)

A	D	F
1.000	1.250	1.625
1.125	1.250	1.750
1.250	1.312	1.875
1.375	1.437	2.000
1.500	1.437	2.125
1.625	1.437	2.250
1.750	1.437	2.375
1.875	1.500	2.500
2.000	1.500	2.625
2.125	1.500	2.750
2.250	1.562	2.875
2.375	1.562	3.000
2.500	1.562	3.125
2.625	1.625	3.375
2.750	1.625	3.500
2.875	1.875	3.625
3.000	2.000	3.750
3.125	2.000	3.875
3.250	2.000	4.000
3.375	2.000	4.125
3.500	2.000	4.250
3.625	2.000	4.375
3.750	2.000	4.500
3.875	2.000	4.625
4.000	2.000	5.000

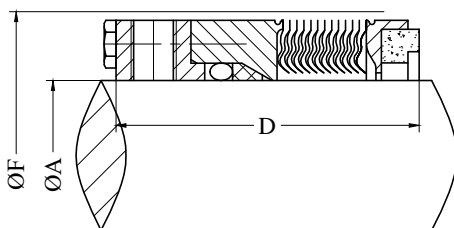
MH-BSAI

1.000" to 2.750" inch



MH-BSAI

2.875" to 4.000" inch



ØF mean the minimum bore dimension

MH-DIN-BSAI

MH-DIN-BSAI Standard Metal Bellows Seal--Dimension Data

24 to 100 mm

Description:

Type:MH-DIN-BSAI

Replacement of AES DIN BSAI

* Temperature:

-75°C to +290°C/-100°F to +550°F
(depending on materials used)

* Pressure:

25 bar/360 psi

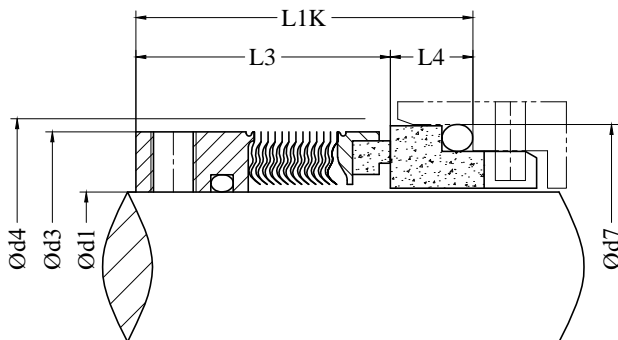
* Speed:

Up to 25m/s / 5,000 fpm

MH-DIN-BSAI (mm)

d1	L3	L1K	L4	d7	d3 max	d4 min
24	29.9	40	10.1	39	38	40
25	29.9	40	10.1	40	39	41
28	32.4	42.5	10.1	43	42	44
30	32.4	42.5	10.1	45	44	46
32	32.4	42.5	10.1	48	46	48
33	32.4	42.5	10.1	48	47	49
35	32.4	42.5	10.1	50	49	51
38	33.9	45	11.1	56	54	58
40	33.9	45	11.1	58	56	60
43	33.9	45	11.1	61	59	63
45	33.9	45	11.1	63	61	65
48	33.9	45	11.1	66	64	68
50	34.4	47.5	13.1	70	66	70
53	34.4	47.5	13.1	73	69	73
55	34.4	47.5	13.1	75	71	75
58	38.9	52.5	13.6	78	78	83
60	38.9	52.5	13.6	80	80	85
63	38.9	52.5	13.6	83	83	88
65	38.9	52.5	13.6	85	85	90
68	37.4	52.5	15.1	90	88	93
70	44.9	60	15.1	92	90	95
75	44.9	60	15.1	97	99	104
80	44.2	60	15.8	105	104	109
85	44.2	60	15.8	110	109	114
90	49.2	65	15.8	115	114	119
95	49.2	65	15.8	120	119	124
100	49.2	65	15.8	125	124	129

MH-DIN-BSAI



Ød4 mean the minimum bore dimension

MH-BSAIG

MH-BSAIG Standard Metal Bellows Seal--Dimension Data

1.000" to 4.000" inch, 24 to 100 mm

Description:

Type:MH-BSAIG

Replacement of AES BSAIG

* Temperature:

-75°C to +290°C/-100°F to +550°F
(depending on materials used)

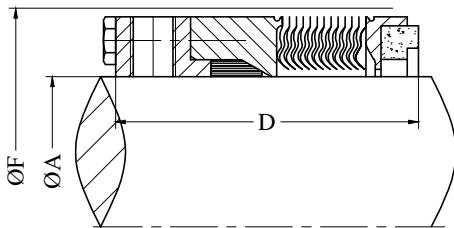
* Pressure:

25 bar/360 psi

* Speed:

Up to 25m/s / 5,000 fpm

MH-BSAIG

1.000" to 4.000" inch
24 to 100 mm

ØF mean the minimum bore dimension

MH-BSAIG (inch)		
A	D	F
1.000	1.500	1.625
1.125	1.500	1.750
1.250	1.500	1.875
1.375	1.500	2.000
1.500	1.688	2.125
1.625	1.688	2.250
1.750	1.688	2.375
1.875	1.688	2.500
2.000	1.688	2.625
2.125	1.688	2.750
2.250	1.688	2.875
2.375	1.688	3.000
2.500	1.688	3.125
2.625	1.875	3.375
2.750	1.875	3.500
2.875	2.000	3.625
3.000	2.000	3.750
3.125	2.000	3.875
3.250	2.000	4.000
3.375	2.000	4.125
3.500	2.000	4.250
3.625	2.000	4.375
3.750	2.000	4.500
3.875	2.000	4.625
4.000	2.000	5.000

MH-BSAIG (mm)		
A	D	F
24	38.1	40
25	38.1	41
28	38.1	44
30	38.1	46
32	38.1	48
33	38.1	49
35	38.1	51
38	42.9	58
40	42.9	60
43	42.9	63
45	42.9	65
48	42.9	68
50	42.9	70
53	42.9	73
55	42.9	75
58	42.9	78
60	42.9	80
63	42.9	83
65	47.6	89
68	47.6	92
70	47.6	94
75	50.8	99
80	50.8	104
85	50.8	109
90	50.8	114
95	50.8	119
100	50.8	125

MH886

MH886 Standard Metal Bellows Seal--Dimension Data

0.750" to 4.750" inch

Description:

Type:MH886

Replacement of Chesterton 886

* Temperature:

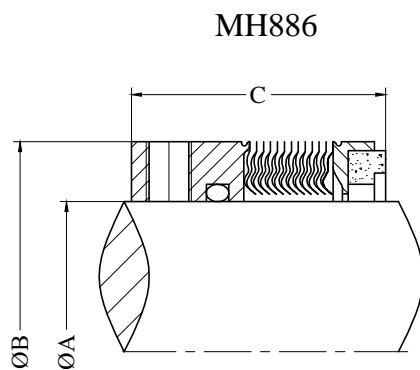
-75°C to +290°C/-100°F to +550°F
(depending on materials used)

* Pressure:

25 bar/360 psi

* Speed:

Up to 25m/s / 5,000 fpm



MH886		
ΦA	ΦB	C
0.750	1.457	1.250
0.875	1.457	1.250
1.000	1.457	1.250
1.125	1.687	1.250
1.250	1.812	1.312
1.250 OS	1.694	1.312
1.375	1.937	1.437
1.500	2.062	1.437
1.500 OS	1.944	1.437
1.625	2.187	1.437
1.750	2.312	1.437
1.875	2.497	1.500
2.000	2.562	1.500
2.125	2.687	1.500
2.250	2.812	1.562
2.375	2.937	1.562
2.500	3.187	1.562
2.625	3.312	1.625
2.750	3.437	1.625
2.875	3.625	1.687
3.000	3.750	1.687
3.125	3.875	1.750
3.250	4.000	1.750
3.375	4.125	1.750
3.500	4.250	1.875
3.625	4.375	1.875
3.750	4.500	1.875
3.875	4.625	1.875
4.000	4.750	1.875
4.125	5.125	1.875
4.250	5.125	1.875
4.375	5.375	1.875
4.500	5.375	1.875
4.625	5.625	1.875
4.750	5.625	1.875

MH886HT

MH886HT Standard Metal Bellows Seal--Dimension Data

1.000" to 2.625" inch / 25 to 65 mm

Description:

Type:MH886HT

Replacement of Chesterton 886HT

* Temperature:

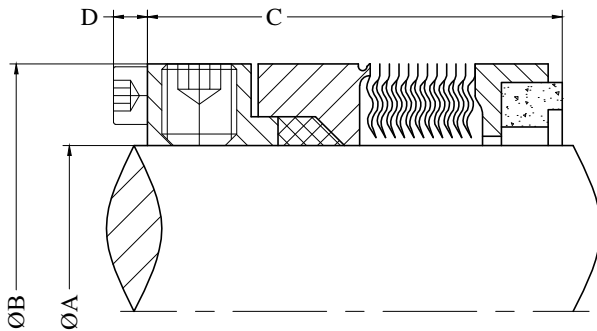
-75°C to +290°C/-100°F to +550°F
(depending on materials used)

* Pressure:

25 bar/360 psi

* Speed:

Up to 25m/s / 5,000 fpm

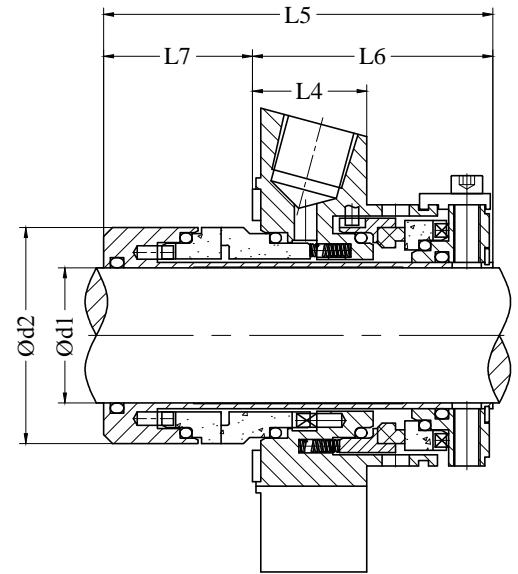
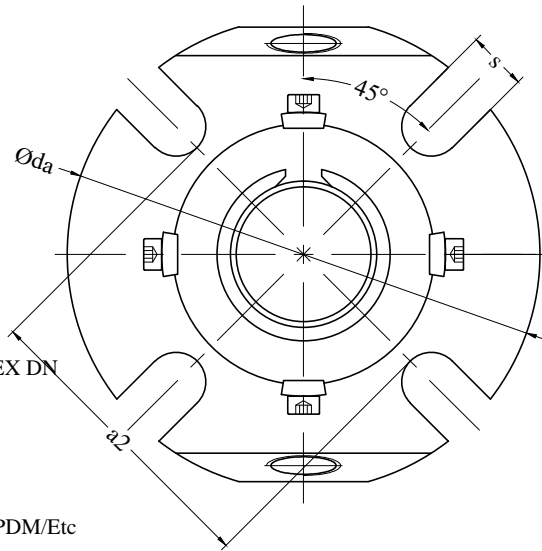


MH886HT (mm)			
ΦA	ΦB	C	D
25	39.7	42.8	3.2
28	42.8	39.7	3.2
30	46	42.8	3.2
32	46	42.8	3.2
33	49.2	44.5	3.2
35	49.2	44.5	3.2
38	55.1	44.5	4.2
40	58.3	44.5	4.2
43	61.5	44.5	4.2
45	62.3	44.5	4.2
48	64.6	44.5	4.2
50	67.8	44.5	4.2
53	71.1	44.5	4.2
55	74.2	47.6	4.2
60	77.3	47.6	4.2
63	80.9	47.6	4.2
65	84.1	47.6	4.2

MH886HT (inch)			
ΦA	ΦB	C	D
1.000	1.562	1.687	0.125
1.125	1.687	1.562	0.125
1.250	1.812	1.562	0.125
1.375	1.937	1.750	0.125
1.500	2.170	1.750	0.164
1.625	2.295	1.750	0.164
1.750	2.420	1.750	0.164
1.875	2.545	1.750	0.164
2.000	2.670	1.750	0.164
2.250	2.920	1.875	0.164
2.375	3.045	1.875	0.164
2.500	3.187	1.875	0.164
2.625	3.312	1.875	0.164

MH-CARTEX-DN

25 to 100 mm

**Description:**

Type:MH-CARTEX-DN

Replacement of Burgmann CARTEX DN

Balanced/Cartridge

Temperature:-20°C to 160°C

Pressure force:16 bar / 232 psi

Line rate:20 m/s

Materials:SiC/TC/Carbon/Viton/EPDM/Etc

MH-CARTEX-DN Standard Cartridge Seal--Dimension Data

25 to 100 mm

d1	d2	L4	L5	L6	L7	da	a2	s
25	43	25.4	86.5	53.4	33.1	105	62	13.2
28	46	25.4	86.5	53.4	33.1	105	65	13.2
30	48	25.4	86.5	53.4	33.1	105	67	13.2
32	49.8	25.4	86.5	53.4	33.1	108	70	13.2
33	49.8	25.4	86.5	53.4	33.1	108	70	13.2
35	53	25.4	86.5	53.4	33.1	113	72	13.2
38	56	25.4	86.5	53.4	33.1	123	75	13.2
40	58	25.4	86.5	53.4	33.1	123	77	14.2
42	60.5	25.4	86.5	53.4	33.1	133	80	14.2
43	60.5	25.4	86.5	53.4	33.1	133	80	14.2
45	62.5	25.4	86.5	53.4	33.1	138	82	14.2
48	65.6	25.4	86.5	53.4	33.1	138	85	14.2
50	68	25.4	86.5	53.4	33.1	148	87	14.2
53	72	25.4	86.5	53.4	33.1	148	97	18
55	73	25.4	86.5	53.4	33.1	148	92	18
60	78	25.4	86.5	53.4	33.1	157	102	18
65	84.8	25.4	86.5	53.4	33.1	163	109	18
70	93	25.4	86.5	53.4	33.1	178	118	18
75	100	28	108	63.9	44.1	190	129	18
80	106.4	28	108	63.9	44.1	195	135	18
85	109.5	28	108	63.9	44.1	198	139	22
90	115.9	28	108	63.9	44.1	205	145	22
95	119.1	28	108	63.9	44.1	208	148	22
100	125.4	28	108	63.9	44.1	218	154	22

MH-CARTEX-DN

1" to 4" inch

Description:

Type:MH-CARTEX-DN

Replacement of Burgmann CARTEX DN

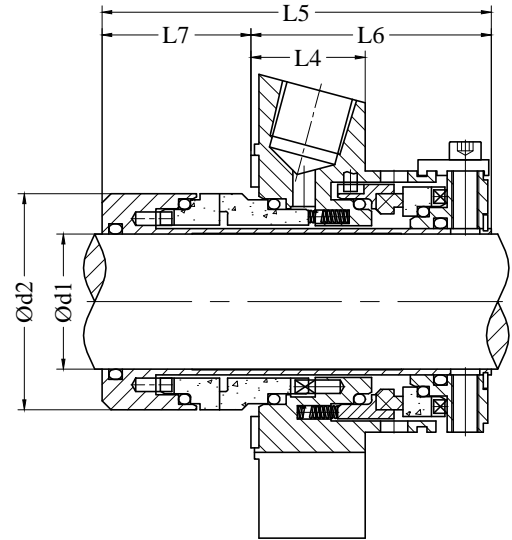
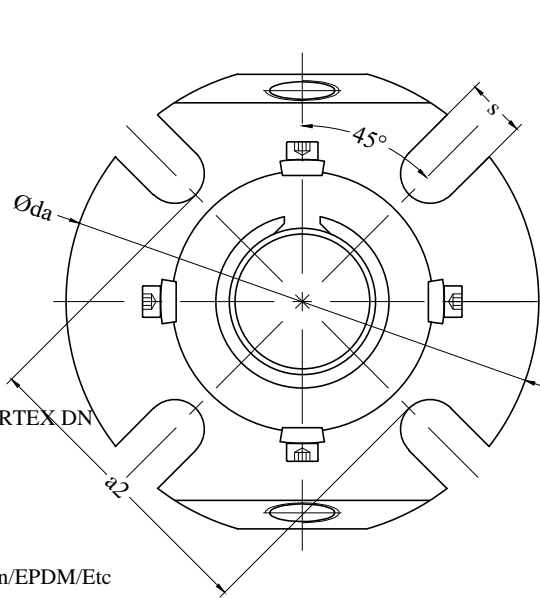
Banlanced/Cartridge

Temperature:-20°C to 160°C

Pressure force: 16 bar / 232 psi

Line rate:20 m/s

Materials:SiC/TC/Carbon/Viton/EPDM/Etc



MH-CARTEX-DN Standard Cartridge Seal--Dimension Data

1" to 4" inch

d1	d2	L4	L5	L6	L7	da	a2	s
1.000	1.693	1.000	3.400	2.102	1.303	4.134	2.440	0.520
1.125	1.811	1.000	3.400	2.102	1.303	4.134	2.560	0.520
1.250	1.960	1.000	3.400	2.102	1.303	4.330	2.760	0.520
1.375	2.086	1.000	3.400	2.102	1.303	4.449	2.840	0.520
1.500	2.200	1.000	3.400	2.102	1.303	4.842	2.950	0.520
1.625	2.340	1.000	3.400	2.102	1.303	4.842	3.090	0.599
1.750	2.460	1.000	3.400	2.102	1.303	5.433	3.230	0.599
1.875	2.582	1.000	3.400	2.102	1.303	5.433	3.350	0.599
2.000	2.677	1.000	3.400	2.102	1.303	5.827	3.430	0.599
2.125	2.834	1.000	3.400	2.102	1.303	5.827	3.820	0.709
2.250	2.960	1.000	3.400	2.102	1.303	6.181	3.940	0.709
2.375	3.070	1.000	3.400	2.102	1.303	6.181	4.020	0.709
2.500	3.212	1.000	3.400	2.102	1.303	6.417	4.180	0.709
2.625	3.338	1.000	3.400	2.102	1.303	6.417	4.300	0.709
2.750	3.660	1.000	3.400	2.102	1.303	7.008	4.660	0.709
2.875	3.811	1.000	4.250	2.516	1.736	7.283	4.960	0.709
3.000	3.937	1.102	4.250	2.516	1.736	7.480	5.079	0.709
3.125	4.063	1.102	4.250	2.516	1.736	7.667	5.197	0.709
3.250	4.189	1.102	4.250	2.516	1.736	7.667	5.315	0.709
3.375	4.311	1.102	4.250	2.516	1.736	7.795	5.472	0.866
3.500	4.437	1.102	4.250	2.516	1.736	7.795	5.591	0.866
3.625	4.563	1.102	4.250	2.516	1.736	8.071	5.709	0.866
3.750	4.689	1.102	4.250	2.516	1.736	8.189	5.827	0.866
4.000	4.937	1.102	4.250	2.516	1.736	8.583	6.063	0.866



MH-CARTEX-SN

25 to 100 mm

Description:

Type:MH-CARTEX-SN

Replacement of Burgmann CARTEX SN

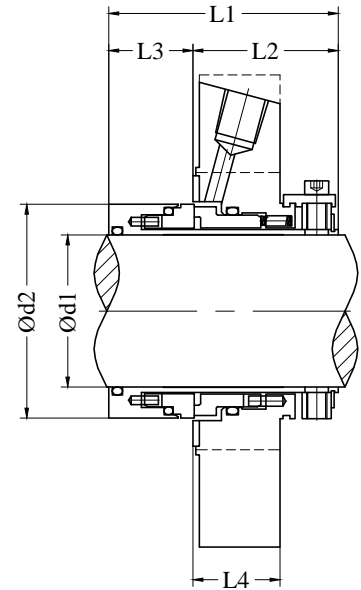
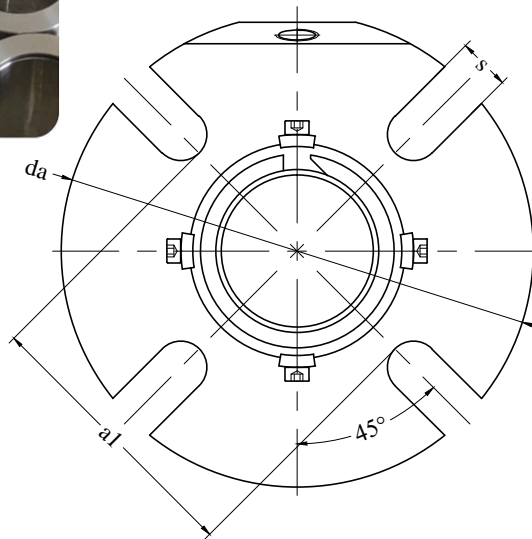
Balanced/Cartridge

Temperature:-20°C to 160°C

Pressure force:16 bar / 232 psi

Line rate:20 m/s

Materials:SiC/TC/Carbon/Viton/EPDM/Etc



MH-CARTEX-SN Standard Cartridge Seal--Dimension Data

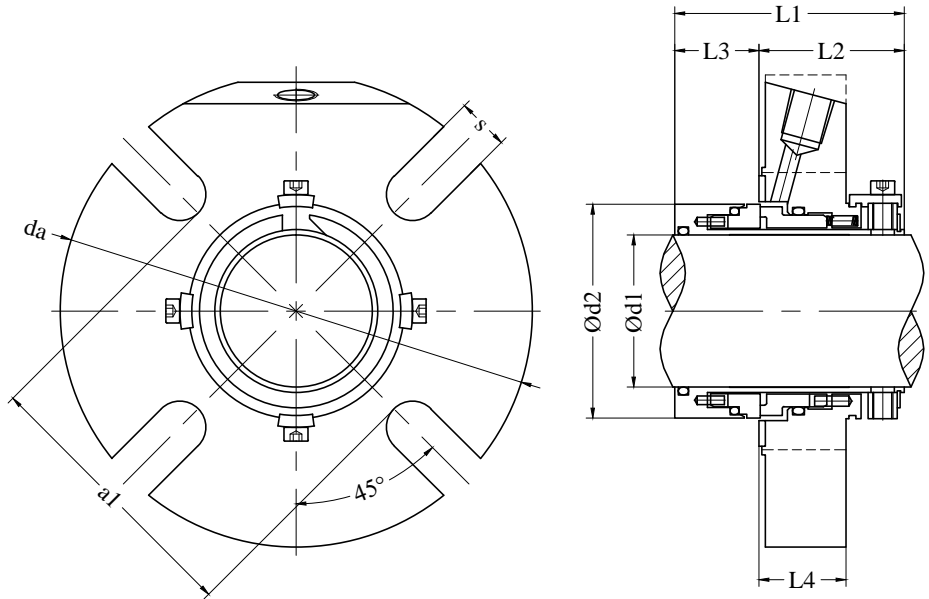
25 to 100 mm

d1	d2	L1	L2	L3	L4	da	a1	s
25	43	67	42.4	24.6	25.4	105	62	13.2
28	46	67	42.4	24.6	25.4	105	62	13.2
30	48	67	42.4	24.6	25.4	105	65	13.2
32	49.8	67	42.4	24.6	25.4	108	67	13.2
33	49.8	67	42.4	24.6	25.4	108	67	13.2
35	53	67	42.4	24.6	25.4	113	70	13.2
38	56	67	42.4	24.6	25.4	123	75	13.2
40	58	67	42.4	24.6	25.4	123	75	14.2
42	60.5	67	42.4	24.6	25.4	133	80	14.2
43	60.5	67	42.4	24.6	25.4	133	80	14.2
45	62.5	67	42.4	24.6	25.4	138	81	14.2
48	65.6	67	42.4	24.6	25.4	138	84	14.2
50	68	67	42.4	24.6	25.4	148	87	14.2
53	72	67	42.4	24.6	25.4	148	97	18
55	73	67	42.4	24.6	25.4	148	90	18
60	78	67	42.4	24.6	25.4	157	102	18
65	84.8	67	42.4	24.6	25.4	163	109	18
70	93	67	42.4	24.6	25.4	178	118	18
75	100	84	57.4	26.6	28	190	129	18
80	106.4	84	57.4	26.6	28	195	135	18
85	109.5	84	57.4	26.6	28	198	139	22
90	115.9	84	57.4	26.6	28	205	145	22
95	119.1	84	57.4	26.6	28	208	148	22
100	125.4	84	57.4	26.6	28	218	154	22

MH-CARTEX-SN

1" to 4" inch

Description:
 Type:MH-CARTEX-SN
 Replacement of Burgmann CARTEX SN
 Banlanced/Cartridge
 Temperature:-20°C to 160°C
 Pressure force:16 bar / 232 psi
 Line rate:20 m/s
 Materials:SiC/TC/Carbon/Viton/EPDM/Etc



MH-CARTEX-SN Standard Cartridge Seal--Dimension Data

1" to 4" inch

d1	d2	L1	L2	L3	L4	da	a1	s
1.000	1.693	2.640	1.669	0.969	1.000	4.134	2.440	0.520
1.125	1.811	2.640	1.669	0.969	1.000	4.134	2.440	0.520
1.250	1.960	2.640	1.669	0.969	1.000	4.330	2.640	0.520
1.375	2.086	2.640	1.669	0.969	1.000	4.449	2.750	0.520
1.500	2.200	2.640	1.669	0.969	1.000	4.842	2.950	0.520
1.625	2.340	2.640	1.669	0.969	1.000	4.842	3.030	0.599
1.750	2.460	2.640	1.669	0.969	1.000	5.433	3.190	0.599
1.875	2.582	2.640	1.669	0.969	1.000	5.433	3.190	0.599
2.000	2.677	2.640	1.669	0.969	1.000	5.827	3.430	0.599
2.125	2.834	2.640	1.669	0.969	1.000	5.827	3.820	0.709
2.250	2.960	2.640	1.669	0.969	1.000	6.181	3.940	0.709
2.375	3.070	2.640	1.669	0.969	1.000	6.181	4.020	0.709
2.500	3.212	2.640	1.669	0.969	1.000	6.417	4.170	0.709
2.625	3.338	2.640	1.669	0.969	1.000	6.417	4.290	0.709
2.750	3.660	2.640	1.669	0.969	1.000	7.008	4.650	0.709
2.875	3.811	3.307	2.260	1.047	1.000	7.480	5.079	0.709
3.000	3.937	3.307	2.260	1.047	1.102	7.480	5.079	0.709
3.125	4.063	3.307	2.260	1.047	1.102	7.677	5.315	0.709
3.250	4.189	3.307	2.260	1.047	1.102	7.677	5.315	0.709
3.375	4.311	3.307	2.260	1.047	1.102	7.795	5.472	0.866
3.500	4.437	3.307	2.260	1.047	1.102	7.795	5.591	0.866
3.625	4.563	3.307	2.260	1.047	1.102	8.071	5.709	0.866
3.750	4.689	3.307	2.260	1.047	1.102	8.189	5.827	0.866
4.000	4.937	3.307	2.260	1.047	1.102	8.583	6.063	0.866

25 to 80 mm

MH-MTEX-DN

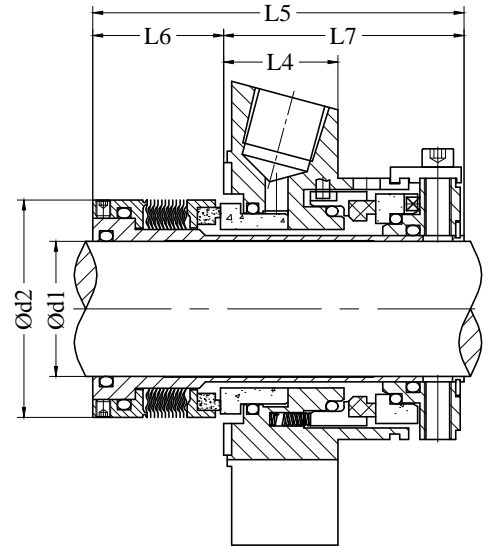
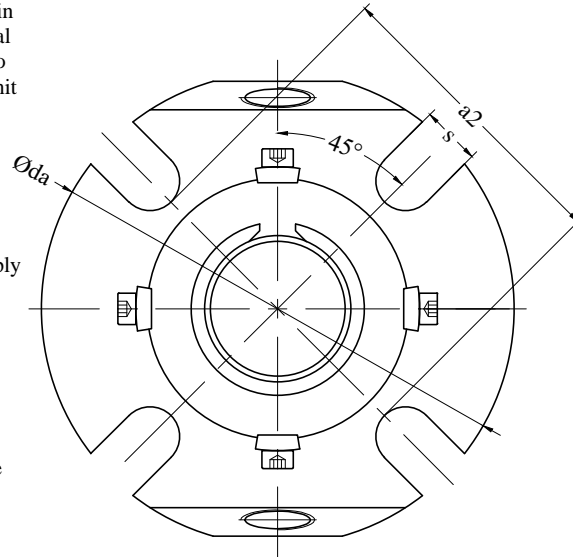
Mtex is a special type of cartridge seal for pumps and applications in which temperature plays an important role, e.g. in refineries and the petrochemical industry.

Be it for the conversion of packings, retrofits or original equipment, the Mtex concept is ideal for standardization projects. It fits in any centrifugal pump with a conventional stuffing box (generally without having to modify any dimensions). The bellows unit has an amplitude limiter to guarantee trouble-free running (important when there is any risk of dry running)

Double seal, inboard rotating metal bellows, outboard stationary O-ring seal. With pumping device independent of the direction of rotation, cover with supply connections for buffer medium or quench and inboard flush.

Pressurized operation (Plan 53 or 54) requires a buffer system.

In pressureless mode the quench fluid can be used as either a dead-end quench (Plan 51) or a through flow quench (Plan 52), depending on the operating conditions.



Description:

Type:MH-MTEX-DN

Replacement of Burgmann MTEX DN

Balanced/Cartridge

Temperature:-40°C to 250°C

Pressure force:27 bar

Line rate:20 m/s

Materials:SiC/TC/Carbon/Viton/EPDM/Etc

MH-MTEX-DN Standard Cartridge Seal--Dimension Data

25 to 80 mm

d1	d2	L4	L5	L6	L7	da	a2	s
25	45	25.4	87	33.6	53.4	105	62	13.2
30	49.4	25.4	86.5	33.1	53.4	105	67	13.2
32	52.3	25.4	86.5	33.1	53.4	108	70	13.2
33	52.3	25.4	86.5	33.1	53.4	108	70	13.2
35	54.8	25.4	86.5	33.1	53.4	113	72	13.2
38	57.5	25.4	86.5	33.1	53.4	123	75	14
40	58.8	25.4	86.3	32.9	53.4	123	77	14.2
43	61.9	25.4	86.5	33.1	53.4	133	80	14.2
45	65	25.4	86.5	33.1	53.4	138	82	14.2
48	68.4	25.4	86.8	33.4	53.4	138	85	14.2
50	70	25.4	87.2	33.8	53.4	148	87	14.2
53	71.9	25.4	87.4	34	53.4	148	97	18
55	74.6	25.4	87	33.6	53.4	148	92	18
60	83.9	25.4	88.2	34.8	53.4	157	102	18
65	87.5	25.4	88.1	34.7	53.4	163	109.3	18
70	93	25.4	89.6	36.2	53.4	178	118.3	18
75	96.8	28	107.4	43.5	63.9	190	129	18
80	104.7	28	106.8	42.9	63.9	195	135	18

Description:

Type:MH-MTEX-QN

Replacement of Burgmann MTEX QN

Balanced/Cartridge

Temperature:-40°C to 250°C

Pressure force:27 bar

Line rate:20 m/s

Materials:SiC/TC/Carbon/Viton/EPDM/Etc

MH-MTEX-QN

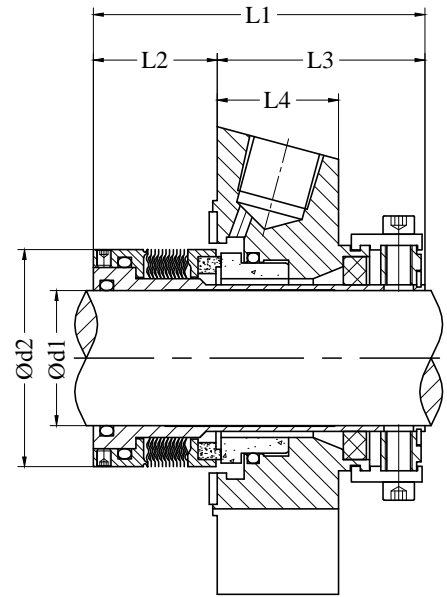
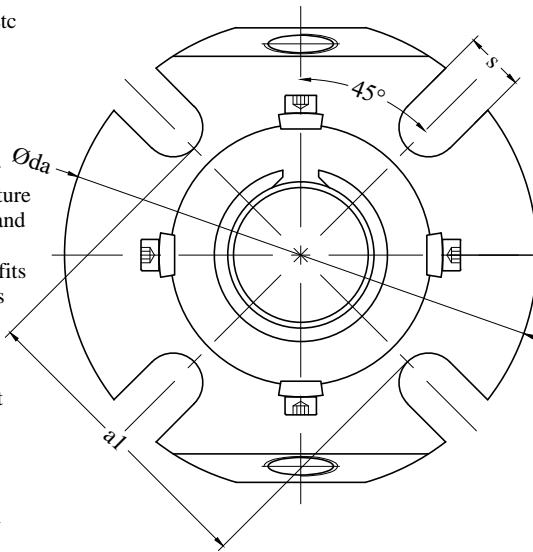
25 to 80 mm

Mtex is a special type of cartridge seal for pumps and applications in which temperature plays an important role, e.g. in refineries and the petrochemical industry.

Be it for the conversion of packings, retrofits or original equipment, the Mtex concept is ideal for standardization projects. It fits in any centrifugal pump with a conventional stuffing box (generally without having to modify any dimensions). The bellows unit has an amplitude limiter to guarantee trouble-free running (important when there is any risk of dry running)

Single seal for liquid quench.

Cover with outboard shaft seal and supply connection for flush A and quench B



MH-MTEX-QN Standard Cartridge Seal--Dimension Data

25 to 80 mm

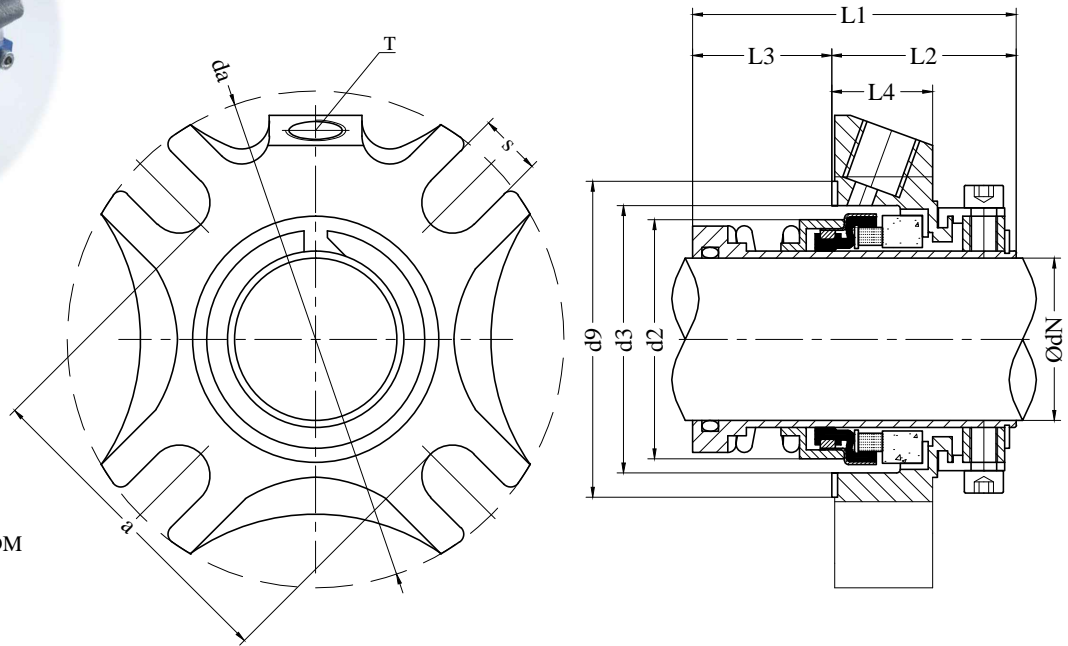
d1	d2	L1	L2	L3	L4	da	a2	s
25	45	79.5	26.1	53.4	25.4	105	62	13.2
30	49.4	78.4	25	53.4	25.4	105	67	13.2
32	52.3	78.4	25	53.4	25.4	108	70	13.2
33	52.3	78.4	25	53.4	25.4	108	70	13.2
35	54.8	78.4	25	53.4	25.4	113	72	13.2
38	57.5	78.4	25	53.4	25.4	123	75	14
40	58.8	78.2	24.8	53.4	25.4	123	77	14.2
43	61.9	78.4	25	53.4	25.4	133	80	14.2
45	65	78.4	25	53.4	25.4	138	82	14.2
48	68.4	78.7	25.3	53.4	25.4	138	85	14.2
50	70	79.1	25.7	53.4	25.4	148	87	14.2
53	71.9	77.8	24.4	53.4	25.4	148	97	18
55	74.6	78.9	25.5	53.4	25.4	148	92	18
60	83.9	80.1	26.7	53.4	25.4	157	102	18
65	87.5	80	26.6	53.4	25.4	163	109.3	18
70	93	81.5	28.1	53.4	25.4	178	118.3	18
75	96.8	94.4	30.5	63.9	28	190	129	18
80	104.7	94.4	30.4	64	28	195	135	18



MH-UNITEX

25 to 75 mm

Description:
 Type:MH-UNITEX
 Replacement of Burgmann UNITEX
 Single cartridge seal
 Elastomer bellows
 Unbalanced
 Temperature:-20°C to 140°C
 Pressure force:12 bar / 174 psi
 Line rate:10 m/s
 Materials:SiC/TC/Carbon/Viton/EPDM
 Independent of direction of rotation
 Rotating spring
 Bellows and spring free from torsion
 Metric and inch sizes available



MH-UNITEX Standard Cartridge Seal--Dimension Data

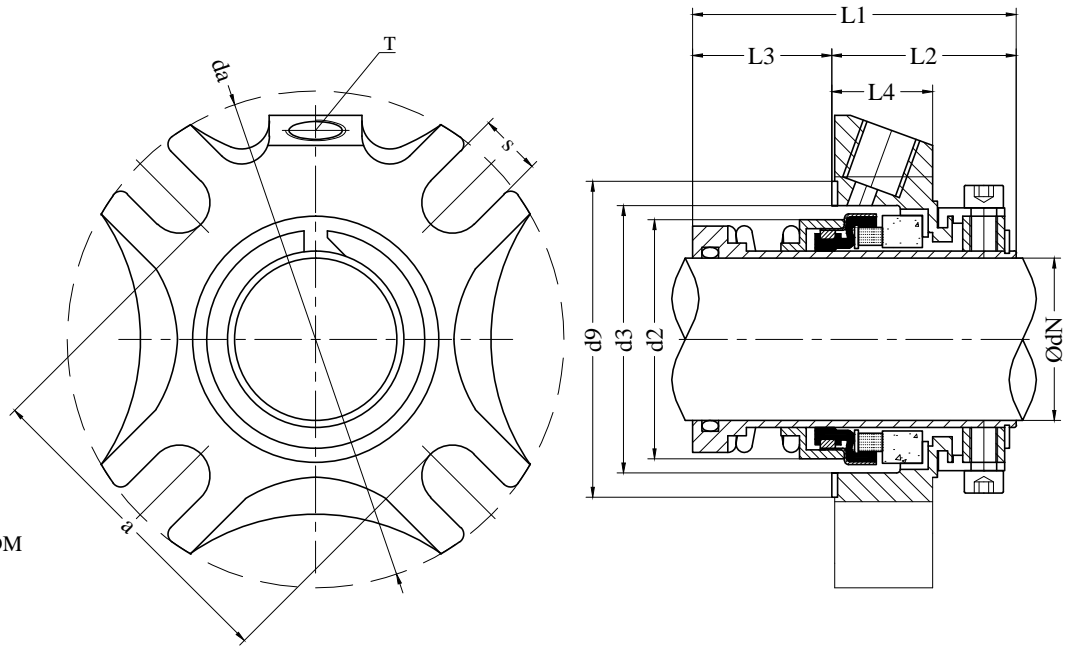
25 to 75 mm

dN	d2	d3 min	d3 max	d9	da	a	s	L1	L2	L3	L4	T
25	38.4	41.5	51	60	105	62	13.2	65.5	41	24.5	23	1/4 NPT
28	42.4	44.5	52	60	105	62	13.2	68	41.5	26.5	23	1/4 NPT
30	42.4	45.5	56	63	105	67	13.2	68	41.5	26.5	23	1/4 NPT
33	45	48	57	65	110	67	13.2	69.5	42	27.5	23	1/4 NPT
35	49.1	50.8	61.5	68	107	70	13.2	72.5	44	28.5	26	1/4 NPT
38	51.3	54.5	66	73	123	75	14.7	72.5	44	28.5	26	1/4 NPT
40	54.3	57.5	68	75	123	77	14.7	75.5	44.5	31	26	1/4 NPT
43	56.3	59.5	70.5	78	133	80	14.7	76.5	44.5	32	26	1/4 NPT
45	59.8	63	73	79	130	82	14.2	76.5	44.5	32	26	1/4 NPT
48	61.8	65	75	82	130	84	14.2	78	45	33	26	1/4 NPT
50	64.8	68	78	85	148	87	14.7	80.5	47	33.5	28	3/8 NPT
53	66.8	70	87	95	148	97	17.5	81.5	47	34.5	28	3/8 NPT
55	71	73	83	90	148	92	17.5	83.5	47	36.5	28	3/8 NPT
60	76.5	79	91	100	157	102	17.5	85.5	47	38.5	28	3/8 NPT
65	83	85.7	98.5	108	162	110	17.5	88	48.5	39.5	28	3/8 NPT
70	88	94	108	116	178	118	17.5	92	48.5	43.5	28	3/8 NPT
75	93.4	98.4	118	125	190	127	17.5	93.5	49	44.5	28	3/8 NPT

MH-UNITEX

1.0 to 2.625 inch

Description:
 Type:MH-UNITEX
 Replacement of Burgmann UNITEX
 Single cartridge seal
 Elastomer bellows
 Unbalanced
 Temperature:-20°C to 140°C
 Pressure force:12 bar / 174 psi
 Line rate:10 m/s
 Materials:SiC/TC/Carbon/Viton/EPDM
 Independent of direction of rotation
 Rotating spring
 Bellows and spring free from torsion
 Metric and inch sizes available



MH-UNITEX Standard Cartridge Seal--Dimension Data

1.0 to 2.625 inch

dN	d2	d3 min	d3 max	d9	d _a	a	s	L1	L2	L3	L4	T
1.000	1.512	1.634	2.000	2.362	4.134	2.440	0.520	2.579	1.614	0.965	0.906	1/4 NPT
1.125	1.669	1.750	2.050	2.362	4.134	2.441	0.520	2.677	1.634	1.043	0.906	1/4 NPT
1.250	1.772	1.890	2.250	2.559	4.331	2.638	0.520	2.736	1.654	1.083	0.906	1/4 NPT
1.375	1.933	2.000	2.420	2.677	4.213	2.756	0.520	2.854	1.732	1.122	1.024	1/4 NPT
1.500	2.020	2.146	2.625	2.874	4.843	2.950	0.579	2.854	1.732	1.122	1.024	1/4 NPT
1.750	2.354	2.480	2.812	3.110	5.118	3.230	0.559	3.012	1.752	1.260	1.024	1/4 NPT
1.875	2.433	2.559	2.940	3.228	5.118	3.307	0.559	3.071	1.772	1.299	1.024	1/4 NPT
2.000	2.551	2.677	3.190	3.346	5.827	3.430	0.579	3.169	1.850	1.319	1.102	3/8 NPT
2.125	2.795	2.875	3.437	3.740	5.512	3.820	0.689	3.287	1.850	1.437	1.102	3/8 NPT
2.250	2.874	2.992	3.560	3.780	6.181	3.858	0.689	3.287	1.850	1.437	1.102	3/8 NPT
2.375	3.012	3.110	3.590	3.937	6.181	4.020	0.689	3.366	1.850	1.516	1.102	3/8 NPT
2.500	3.209	3.287	3.800	4.173	6.693	4.252	0.689	3.465	1.909	1.555	1.102	3/8 NPT
2.625	3.268	3.374	3.937	4.252	6.378	4.331	0.689	3.465	1.909	1.555	1.102	3/8 NPT

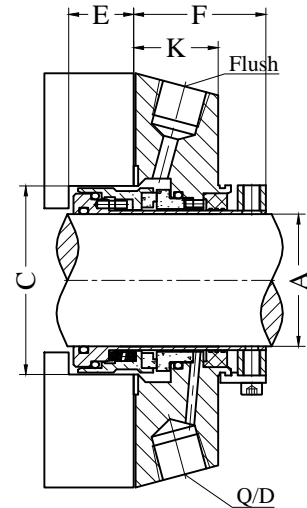
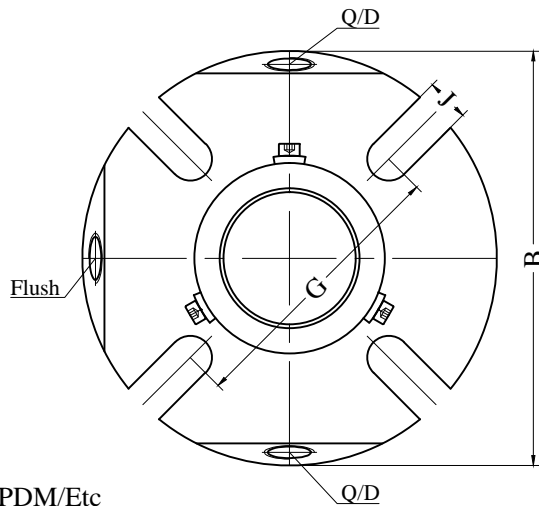


MH-CHE150

25 to 120 mm

Description:

Type:MH-CHE150,
 Replacement of Chesterton 150
 Banlanced/Single/Cartridge
 Temperature:-55°C to 300°C
 Pressure force:20 bar / 300 psi
 Line rate:20 m/s or 4000 fpm
 Materials:SiC/TC/Carbon/Viton/EPDM/Etc



MH-CHE150 Standard Single Cartridge Seal--Dimension Data/Metric

25 to 120 mm

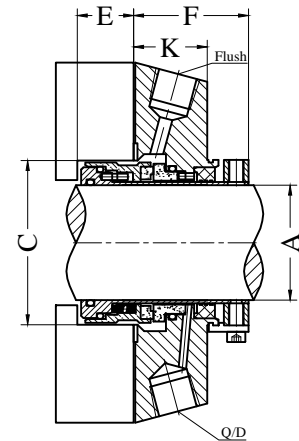
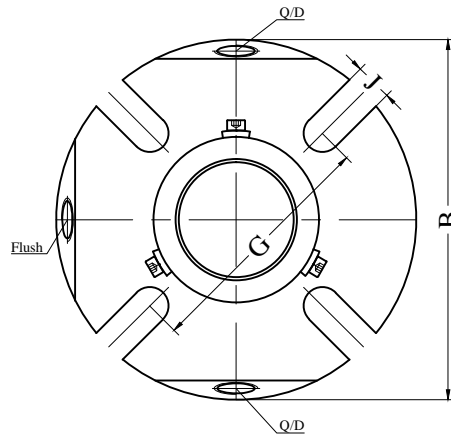
A	B	C min	C max	E min	F	G min				J	K
						10 mm	12 mm	16 mm	20 mm		
25	104	41	51	19.8	46	73	-	-	-	11.2	28
28	104	44	52	19.8	46	73	-	-	-	11.2	28
30	104	46	57	19.8	46	78	-	-	-	11.2	28
32	104	48	58	19.8	46	80	-	-	-	11.2	28
33	113	49	59	19.8	46	81	83	-	-	14.5	28
35	111	51	59	19.8	46	80	82	-	-	14.5	28
38	114	57	67	23.4	44.5	85	87	-	-	14.5	28
40	126	59	68	23.4	44.5	90	92	-	-	13.6	28
43	126	62	69	23.4	44.5	91	93	-	-	13.6	28
45	139	64	73	23.4	44.5	95	97	-	-	13.6	28
48	139	67	73	23.4	44.5	95	97	-	-	13.6	28
50	139	69	78	23.4	44.5	100	102	-	-	13.6	28
53	152	73	87	23.4	44.5	109	111	115	-	17.5	28
55	152	74	83	23.4	44.5	105	107	111	-	17.5	28
58	152	80	91	23.4	44.5	114	116	120	-	17.5	28
60	152	80	91	23.4	44.5	114	116	120	-	17.5	28
63	165	83	97	23.4	44.5	119	121	125	-	17.5	28
65	164	86	100	23.4	44.5	125	127	131	-	17.5	28
68	165	86	100	23.4	44.5	125	127	131	-	17.5	28
70	196	96	111	35.1	57.1	-	137	141	-	17.5	37
75	202	102	119	35.1	57.1	-	143	147	-	17.5	37
80	203	106	122	35.1	57.1	-	147	151	-	17.5	37
85	211	111	128	35.1	57.1	-	152	156	160	20.6	37
90	214	116	132	35.1	57.1	-	156	160	164	20.6	37
95	221	121	137	35.1	57.1	-	161	165	169	20.6	37
100	228	127	144	35.1	57.1	-	168	172	176	20.6	37
105	228	131	148	35.1	57.1	-	172	176	180	20.6	37
110	237	137	154	35.1	57.1	-	177	181	185	20.6	37
115	241	143	160	35.1	57.1	-	182	186	190	20.6	37
120	266	146	164	35.1	57.1	-	187	191	195	20.6	37

MH-CHE150

0.938" to 2.625" inch

Description:

Type:MH-CHE150,
 Replacement of Chesterton 150
 Banlanced/Single/Cartridge
 Temperature:-55°C to 300°C
 Pressure force:20 bar / 300 psi
 Line rate:20 m/s or 4000 fpm
 Materials:SiC/TC/Carbon/Viton/EPDM/Etc



MH-CHE150 Standard Single Cartridge Seal--Dimension Data/Inch

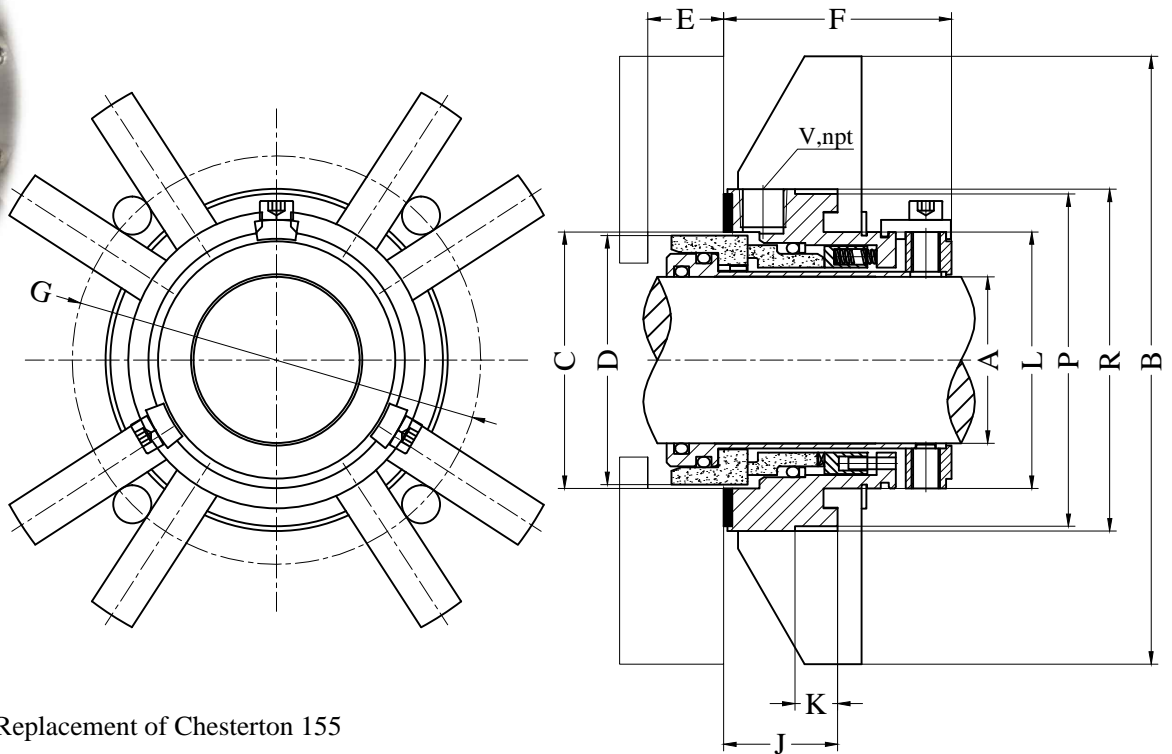
0.938" to 2.625" inch

A	B	C min	C max	E min	F	G min				J	K
						3/8"	1/2"	5/8"	3/4"		
0.938	4.11	1.63	2.01	0.78	1.81	2.88	-	-	-	0.44	1.12
1.000	4.11	1.63	2.01	0.78	1.81	2.88	-	-	-	0.44	1.12
1.063	4.11	1.75	2.04	0.78	1.81	2.88	-	-	-	0.44	1.12
1.125	4.11	1.75	2.04	0.78	1.81	2.88	-	-	-	0.44	1.12
1.125 OS	4.49	2.50	2.75	0.78	1.81	3.71	-	-	-	0.44	1.12
1.188	4.11	1.88	2.27	0.78	1.81	3.12	-	-	-	0.44	1.12
1.250	4.11	1.88	2.27	0.78	1.81	3.12	-	-	-	0.44	1.12
1.313	4.36	2.00	2.33	0.78	1.81	3.13	3.25	-	-	0.57	1.12
1.375	4.36	2.00	2.33	0.78	1.81	3.13	3.25	-	-	0.57	1.12
1.375 OS	5.39	2.68	3.00	0.78	1.81	4.03	-	-	-	0.44	1.12
1.438	4.49	2.25	2.62	0.86	1.75	3.33	3.45	-	-	0.57	1.12
1.500	4.49	2.25	2.62	0.86	1.75	3.33	3.45	-	-	0.57	1.12
1.563	4.99	2.38	2.68	0.86	1.75	3.52	3.65	-	-	0.57	1.12
1.625	4.99	2.38	2.68	0.86	1.75	3.52	3.65	-	-	0.57	1.12
1.688	5.49	2.50	2.81	0.86	1.75	3.62	3.75	-	-	0.57	1.12
1.750	5.49	2.50	2.81	0.86	1.75	3.62	3.75	-	-	0.57	1.12
1.750 OS	6.64	3.37	3.75	0.86	1.75	5.21	5.33	-	-	0.57	1.12
1.813	5.49	2.63	2.94	0.86	1.75	3.75	3.87	-	-	0.57	1.12
1.875	5.49	2.63	2.94	0.86	1.75	3.75	3.87	-	-	0.57	1.12
1.875 OS	5.99	3.42	3.81	0.86	1.75	-	4.80	-	-	0.57	1.12
1.938	5.49	2.75	3.19	0.86	1.75	4.00	4.13	-	-	0.57	1.12
2.000	5.49	2.75	3.19	0.86	1.75	4.00	4.13	-	-	0.57	1.12
2.063	5.99	2.88	3.44	0.86	1.75	4.25	4.38	4.50	-	0.69	1.12
2.125	5.99	2.88	3.44	0.86	1.75	4.25	4.38	4.50	-	0.69	1.12
2.125 OS	6.99	3.75	4.25	0.86	1.75	-	-	5.37	-	0.69	1.12
2.188	5.99	3.00	3.56	0.86	1.75	4.37	4.50	4.62	-	0.69	1.12
2.250	5.99	3.00	3.56	0.86	1.75	4.37	4.50	4.62	-	0.69	1.12
2.313	5.99	3.13	3.59	0.86	1.75	4.43	4.56	4.68	-	0.69	1.12
2.375	5.99	3.13	3.59	0.86	1.75	4.43	4.56	4.68	-	0.69	1.12
2.375 OS	8.40	4.13	4.50	0.86	1.75	-	-	5.62	-	0.69	1.12
2.438	6.49	3.25	3.81	0.86	1.75	4.62	4.75	4.87	-	0.69	1.12
2.500	6.49	3.25	3.81	0.86	1.75	4.62	4.75	4.87	-	0.69	1.12
2.500 OS	7.77	4.37	4.75	0.86	1.75	-	-	6.37	-	0.69	1.12
2.563	6.45	3.38	3.94	0.86	1.75	4.90	5.02	5.15	-	0.69	1.12
2.625	6.45	3.38	3.94	0.86	1.75	4.90	5.02	5.15	-	0.69	1.12
2.625 OS	6.98	4.38	4.78	0.86	1.75	-	-	5.90	-	0.69	1.12



MH-CHE155

25 to 60 mm



Description:

Type:MH-CHE155, Replacement of Chesterton 155

Balanced/Single/Cartridge

Temperature:-55°C to 300°C

Pressure force:40 bar / 600 psi

Line rate:25 m/s or 5000 fpm

Materials:SiC/TC/Carbon/Viton/EPDM/Etc

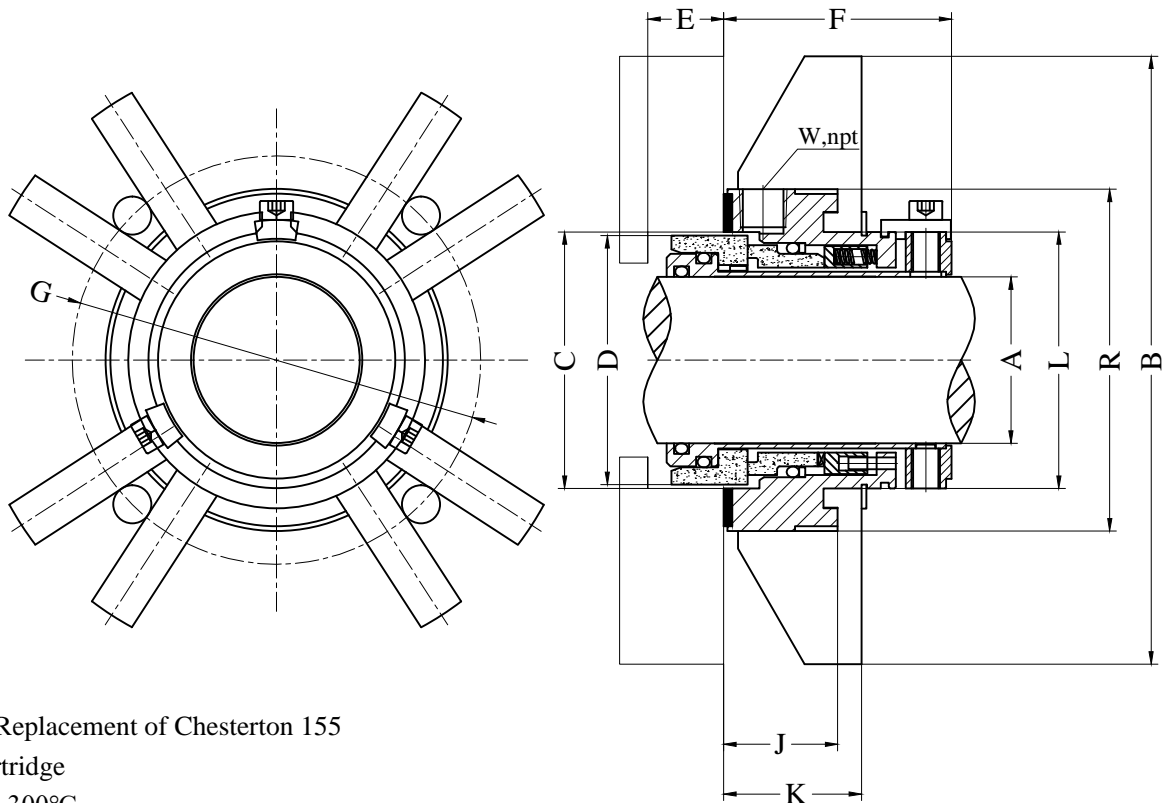
MH-CHE155 Small Standard Single Cartridge Seal--Dimension Data/Metric

25 to 60 mm

A	B max TABS	C min	C max	D	E min	F	G min TABS			G min 478			J	K	L	P	R	V
							8 mm	10 mm	12 mm	8 mm	10 mm	12 mm						
25	118	44	51	43	16	48	70	72	74	71	73	-	24	9	44	57	62	1/8"
28	118	47	52	46	16	48	70	72	74	71	73	-	24	9	47	57	62	1/8"
30	124	49	57	48	16	48	76	78	80	77	79	-	24	9	49	60	68	1/8"
32	124	51	58	50	16	48	77	79	81	78	80	-	24	9	51	62	69	1/8"
33	124	52	59	51	16	48	76	78	80	78	80	-	24	9	52	62	69	1/8"
35	128	54	62	52	16	48	80	82	84	86	88	-	24	9	54	70	72	1/8"
38	133	57	67	56	16	48	85	87	89	86	88	-	24	9	57	70	77	1/8"
40	134	59	68	58	16	48	86	88	90	86	88	90	24	9	59	73	78	1/8"
43	134	62	69	61	16	48	86	88	90	86	88	90	24	9	62	73	78	1/8"
45	140	64	73	63	16	48	92	94	96	92	94	96	24	9	64	79	84	1/8"
48	139	67	74	66	16	48	91	93	95	92	94	96	24	9	67	79	84	1/8"
50	145	69	78	68	16	48	97	99	101	96	98	100	24	9	69	82	89	1/8"
55	150	74	83	73	16	48	102	104	106	112	114	116	24	9	74	94	94	1/8"
60	160	79	91	78	16	48	112	114	116	113	115	117	24	9	80	99	104	1/8"

MH-CHE155

65 to 120 mm



Description:

Type:MH-CHE155, Replacement of Chesterton 155

Banlanced/Single/Cartridge

Temperature:-55°C to 300°C

Pressure force:40 bar / 600 psi

Line rate:25 m/s or 5000 fpm

Materials:SiC/TC/Carbon/Viton/EPDM/Etc

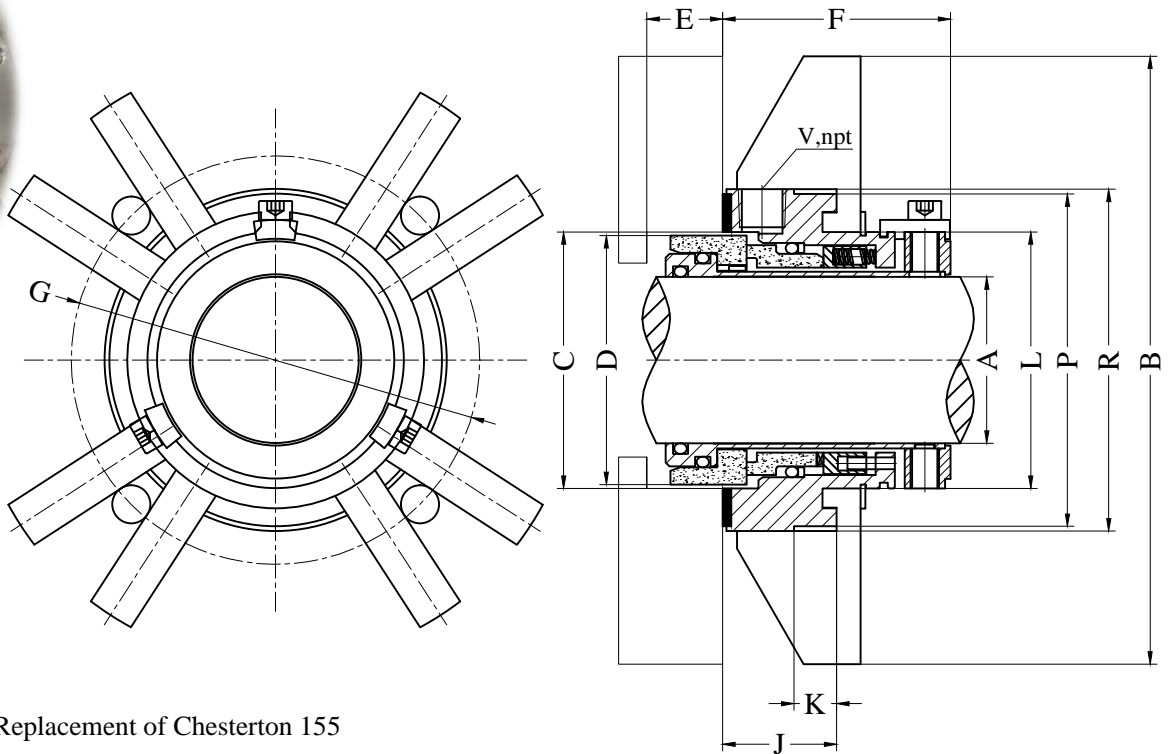
MH-CHE155 Large Standard Single Cartridge Seal--Dimension Data/Metric

65 to 120 mm

A	B max	C min	C max	D	E min	F	G min			J	K	L	R	W
							10 mm	12 mm	16 mm					
65	194	92	102	90	22	64	132	134	138	27	34	89	122	1/4"
70	197	95	105	93	22	64	135	137	141	27	34	92	125	1/4"
75	203	100	113	99	22	64	141	143	147	27	34	98	131	1/4"
80	207	105	116	103	22	64	144	146	150	27	34	102	134	1/4"
85	213	110	122	109	22	64	151	153	157	27	34	108	141	1/4"
90	216	115	125	113	22	64	154	156	160	27	34	112	144	1/4"
95	222	120	131	118	22	64	160	162	166	27	34	117	150	1/4"
100	229	127	138	125	22	64	167	169	173	27	34	123	157	1/4"
110	236	136	148	134	22	64	174	176	180	27	34	133	164	1/4"
120	248	145	158	144	22	64	186	188	192	27	34	142	176	1/4"

MH-CHE155

1.000 to 2.500 inch



Description:

Type:MH-CHE155, Replacement of Chesterton 155

Balanced/Single/Cartridge

Temperature:-55°C to 300°C

Pressure force:40 bar / 600 psi

Line rate:25 m/s or 5000 fpm

Materials:SiC/TC/Carbon/Viton/EPDM/Etc

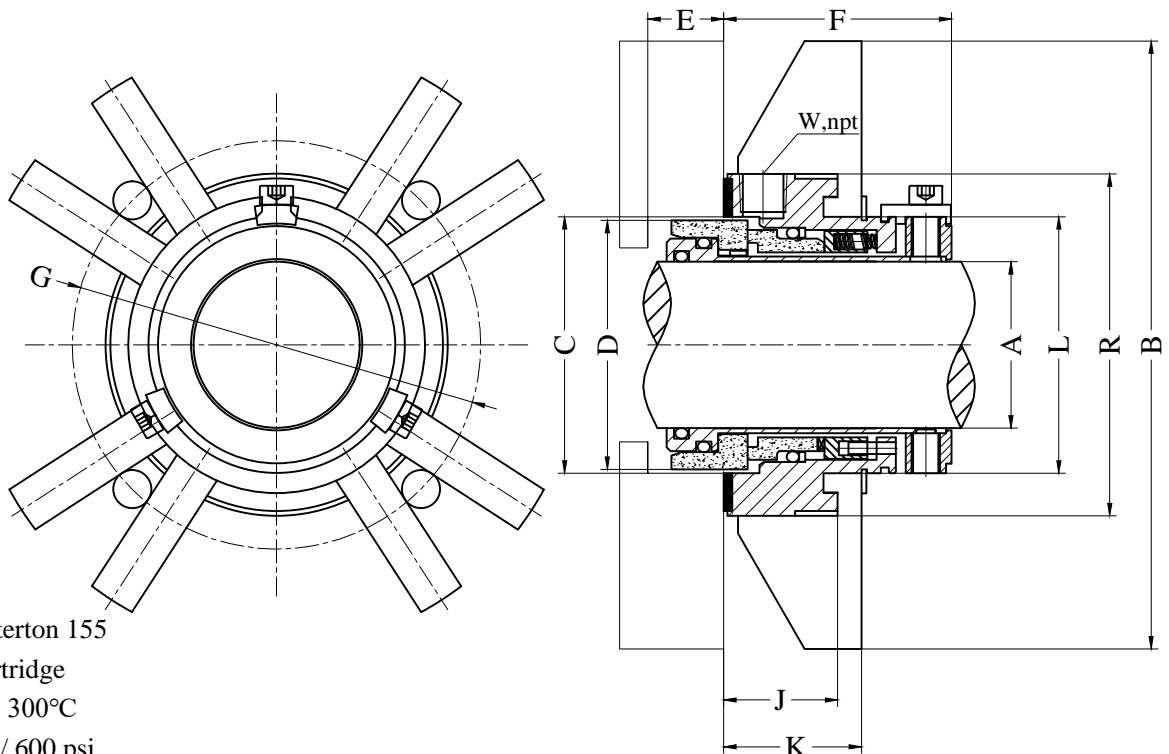
MH-CHE155 Small Standard Single Cartridge Seal--Dimension Data/Inch

1.000 to 2.500 inch

A	B max TABS	C min	C max	D	E min	F	G min TABS			G min 478			J	K	L	P	R	V
							3/8"	1/2"	5/8"	3/8"	1/2"	5/8"						
1.000	4.65	1.75	2.00	1.69	0.63	1.89	2.88	3.01	3.13	2.90	-	-	0.93	0.37	1.76	2.25	2.45	1/8"
1.125	4.69	1.88	2.03	1.82	0.63	1.89	2.92	3.05	3.17	2.90	-	-	0.93	0.37	1.89	2.25	2.48	1/8"
1.250	4.90	2.00	2.26	1.94	0.63	1.89	3.13	3.26	3.38	3.21	-	-	0.93	0.37	2.01	2.43	2.70	1/8"
1.375	5.04	2.13	2.42	2.07	0.63	1.89	3.27	3.40	3.52	3.52	-	-	0.93	0.37	2.14	2.75	2.84	1/8"
1.500	5.23	2.25	2.62	2.19	0.63	1.89	3.46	3.59	3.71	3.52	-	-	0.93	0.37	2.26	2.75	3.03	1/8"
1.625	5.29	2.38	2.68	2.32	0.63	1.89	3.52	3.65	3.77	3.51	3.63	-	0.93	0.37	2.39	2.87	3.08	1/8"
1.750	5.41	2.50	2.80	2.44	0.63	1.89	3.64	3.77	3.89	3.74	3.86	-	0.93	0.37	2.51	3.12	3.21	1/8"
1.875	5.53	2.63	2.93	2.57	0.63	1.89	3.76	3.89	4.01	3.90	4.02	-	0.93	0.37	2.64	3.25	3.33	1/8"
2.000	5.74	2.75	3.18	2.69	0.63	1.89	3.97	4.10	4.22	4.15	4.27	-	0.93	0.37	2.76	3.50	3.54	1/8"
2.125	6.04	2.88	3.43	2.82	0.63	1.89	4.27	4.40	4.52	4.53	4.66	4.78	0.93	0.37	2.89	3.75	3.84	1/8"
2.250	6.14	3.00	3.55	2.94	0.63	1.89	4.38	4.51	4.63	4.56	4.69	4.81	0.93	0.37	3.01	3.87	3.94	1/8"
2.375	6.29	3.13	3.59	3.07	0.63	1.89	4.52	4.65	4.77	4.56	4.69	4.81	0.93	0.37	3.14	3.90	4.08	1/8"
2.500	6.41	3.25	3.80	3.19	0.63	1.89	4.65	4.78	4.90	4.79	4.92	5.04	0.93	0.37	3.26	4.12	4.21	1/8"

MH-CHE155

2.625 to 4.750 inch



Description:

Type:MH-CHE155

Replacement of Chesterton 155

Balanced/Single/Cartridge

Temperature:-55°C to 300°C

Pressure force:40 bar / 600 psi

Line rate:25 m/s or 5000 fpm

Materials:SiC/TC/Carbon/Viton/EPDM/Etc

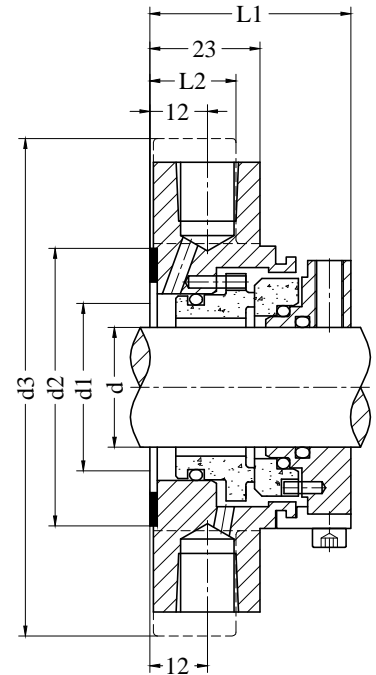
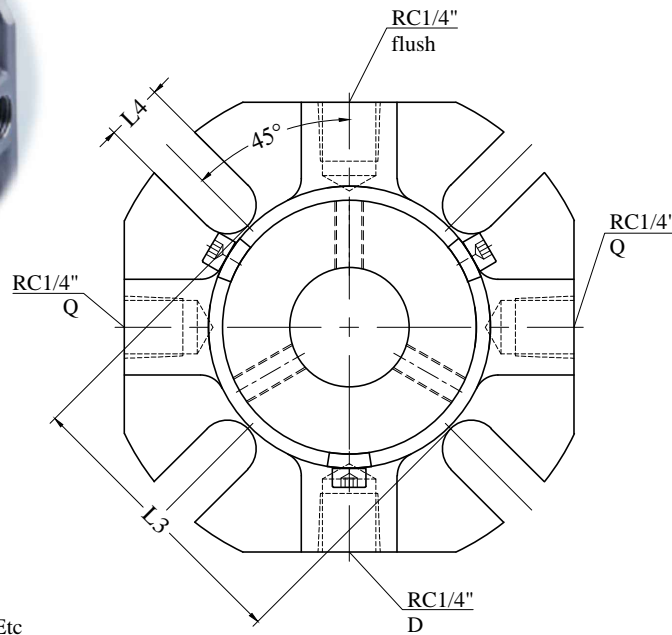
MH-CHE155 Large Standard Single Cartridge Seal--Dimension Data/Inch

2.625 to 4.750 inch

A	B max	C min	C max	D	E min	F	G min			J	K	L	R	W
							1/2"	5/8"	3/4"					
2.625	7.63	3.63	4.00	3.54	0.88	2.50	5.35	5.48	5.60	1.08	1.33	3.49	4.79	1/4"
2.750	7.76	3.75	4.13	3.67	0.88	2.50	5.48	5.60	5.73	1.08	1.33	3.61	4.92	1/4"
2.875	7.88	3.88	4.25	3.79	0.88	2.50	5.60	5.73	5.85	1.08	1.33	3.74	5.04	1/4"
3.000	8.01	4.00	4.44	3.92	0.88	2.50	5.73	5.85	5.98	1.08	1.33	3.86	5.17	1/4"
3.125	8.13	4.13	4.55	4.04	0.88	2.50	5.85	5.98	6.10	1.08	1.33	3.99	5.29	1/4"
3.250	8.26	4.25	4.69	4.17	0.88	2.50	5.98	6.10	6.23	1.08	1.33	4.11	5.42	1/4"
3.375	8.38	4.38	4.80	4.29	0.88	2.50	6.10	6.23	6.35	1.08	1.33	4.24	5.54	1/4"
3.500	8.51	4.50	4.94	4.42	0.88	2.50	6.23	6.35	6.48	1.08	1.33	4.36	5.67	1/4"
3.625	8.63	4.63	5.05	4.54	0.88	2.50	6.35	6.48	6.60	1.08	1.33	4.49	5.79	1/4"
3.750	8.76	4.75	5.14	4.67	0.88	2.50	6.48	6.60	6.73	1.08	1.33	4.61	5.92	1/4"
3.875	8.88	4.88	5.26	4.79	0.88	2.50	6.60	6.73	6.85	1.08	1.33	4.74	6.04	1/4"
4.000	9.01	5.00	5.44	4.92	0.88	2.50	6.73	6.85	6.98	1.08	1.33	4.86	6.17	1/4"
4.125	9.13	5.13	5.55	5.04	0.88	2.50	6.85	6.98	7.10	1.08	1.33	4.99	6.29	1/4"
4.250	9.18	5.25	5.69	5.17	0.88	2.50	6.89	7.02	7.14	1.08	1.33	5.11	6.33	1/4"
4.375	9.30	5.38	5.81	5.29	0.88	2.50	7.02	7.14	7.27	1.08	1.33	5.24	6.46	1/4"
4.500	9.43	5.50	5.94	5.42	0.88	2.50	7.14	7.27	7.39	1.08	1.33	5.36	6.58	1/4"
4.625	9.56	5.63	6.06	5.54	0.88	2.50	7.27	7.39	7.52	1.08	1.33	5.49	6.71	1/4"
4.750	9.76	5.75	6.22	5.67	0.88	2.50	7.47	7.60	7.72	1.08	1.33	5.61	6.91	1/4"

MH290/291

20 to 100 mm



Description:
 Type:MH290/291,
 Replacement of BurgmannMA290/291
 Banlanced/Single/Cartridge
 Temperature:-20°C to 160°C
 Pressure force:16 bar / 232 psi
 Line rate:20 m/s
 Materials:SiC/TC/Carbon/Viton/EPDM/Etc

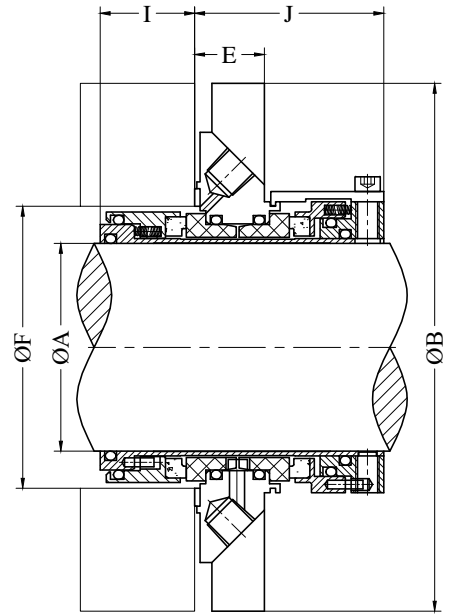
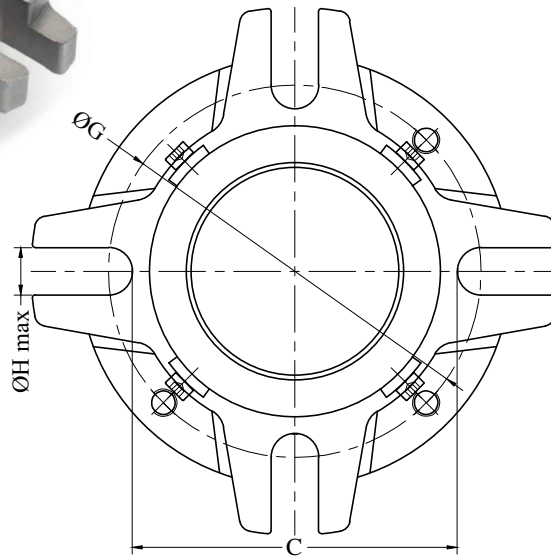
MH290/291 Standard Single Cartridge Seal--Dimension Data/Metric

20 to 100 mm

d	d1 min	d1 max	d2	d3	L1	L2	L3	L4
20	30	51	58	104	42	18	60	12
25	35	51	58	104	42	18	60	12
30	40	56	63	108	42	18	65	12
35	45	66	73	118	42	16	75	14
40	50	66	73	118	42	16	75	14
45	55	71	78	128	42	16	80	14
50	60	81	88	138	44	16	90	14
55	65	81	88	138	44	16	90	14
60	70	96	103	164	46	14	105	18
65	75	96	103	164	46	14	105	18
70	80	102	109	178	46	14	111	18
75	85	114	121	193	49	14	123	18
80	90	114	121	193	49	14	123	18
85	95	124	131	208	49	13	133	20
90	100	124	131	208	49	13	133	20
95	105	134	141	218	49	13	143	20
100	110	134	141	218	49	13	143	20

MH-CDPN

1" to 3.5" inch



Description:
 Type:MH-CDPN,
 Replacement of AES CDPN
 Banlanced/Cartridge
 Temperature:-20°C to 160°C
 Pressure force: 16 bar / 232 psi
 Line rate:20 m/s
 Materials:SiC/TC/Carbon/Viton/EPDM/Etc

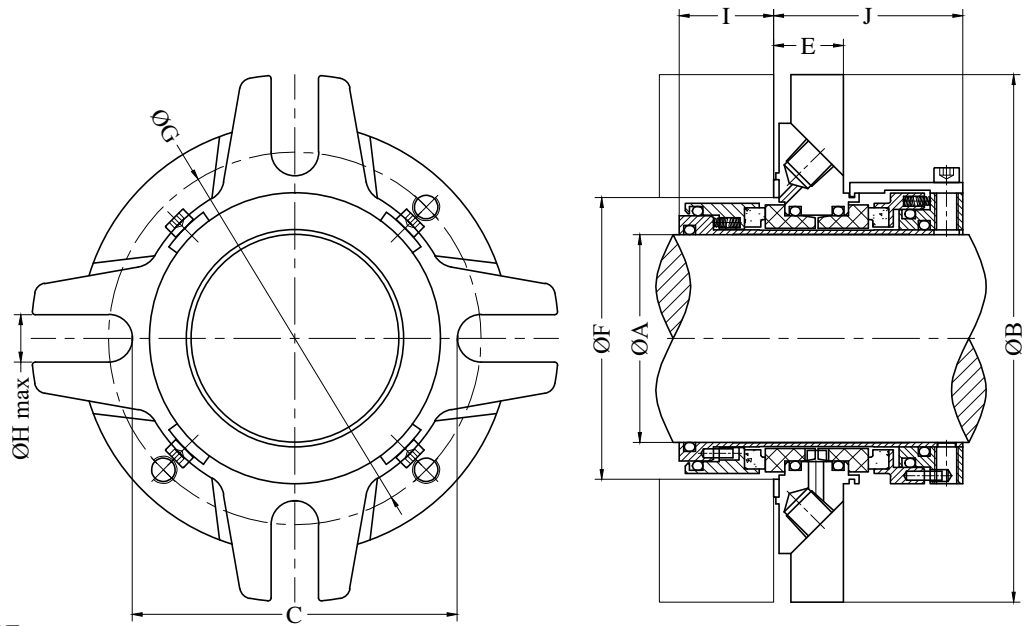
MH-CDPN Standard Cartridge Seal--Dimension Data

1" to 3.5" inch

ΦA	ΦB	C	D	E	ΦF min	ΦF min+	ΦF max	ΦG min	ΦG max	ΦH max	I	J
1.000	4.125	2.375	-	0.927	1.625	1.665	1.937	2.937	3.625	1/2	1.209	2.020
1.125	4.250	2.375	-	0.927	1.750	1.790	2.062	2.937	3.750	1/2	1.209	2.020
1.250	4.375	2.500	-	0.927	1.875	1.915	2.187	3.062	3.875	1/2	1.209	2.020
1.375	4.375	2.625	-	0.927	2.000	2.040	2.312	3.186	3.875	1/2	1.209	2.020
1.500	5.000	2.832	-	0.852	2.250	2.290	2.500	3.375	4.500	1/2	1.090	2.226
1.625	5.000	2.832	-	0.852	2.375	2.415	2.500	3.375	4.500	1/2	1.090	2.226
1.750	5.250	3.022	-	0.852	2.500	2.540	2.750	3.562	4.750	1/2	1.090	2.226
1.875	5.250	3.022	-	0.852	2.625	2.665	2.750	3.562	4.750	1/2	1.090	2.226
2.000	5.500	3.386	-	0.852	2.750	2.790	3.000	3.937	5.000	1/2	1.150	2.250
2.125	5.750	3.687	-	0.852	2.875	2.915	3.312	4.375	5.125	5/8	1.150	2.250
2.250	5.750	3.687	-	0.852	3.000	3.040	3.312	4.375	5.125	5/8	1.150	2.250
2.375	6.000	3.937	-	0.852	3.125	3.165	3.562	4.625	5.375	5/8	1.150	2.250
2.500	7.000	4.312	-	0.926	3.375	3.435	3.875	5.000	6.375	5/8	1.250	2.510
2.625	7.000	4.312	-	0.926	3.500	3.560	3.875	5.000	6.375	5/8	1.250	2.510
2.750	7.000	4.312	-	0.926	3.625	3.685	3.875	5.000	6.375	5/8	1.250	2.510
2.875	7.500	4.937	-	0.926	3.750	3.810	4.500	5.625	6.812	5/8	1.250	2.510
3.000	7.500	4.93.7	-	0.926	3.875	3.935	4.500	5.625	6.812	5/8	1.250	2.510
3.125	7.500	4.937	-	0.926	4.000	4.060	4.500	5.625	6.812	5/8	1.250	2.510
3.250	8.000	5.312	-	0.926	4.125	4.185	4.875	6.000	7.312	5/8	1.250	2.510
3.375	8.000	5.312	-	0.926	4.250	4.310	4.875	6.000	7.312	5/8	1.250	2.510
3.500	8.000	5.312	-	0.926	4.375	4.435	4.875	6.000	7.312	5/8	1.250	2.510

MH-CDPN

24 to 85 mm



Description:
 Type:MH-CDPN,
 Replacement of AES CDPN
 Banlanced/Cartridge
 Temperature:-20°C to 160°C
 Pressure force:16 bar / 232 psi
 Line rate:20 m/s
 Materials:SiC/TC/Carbon/Viton/EPDM/Etc

MH-CDPN Standard Cartridge Seal--Dimension Data

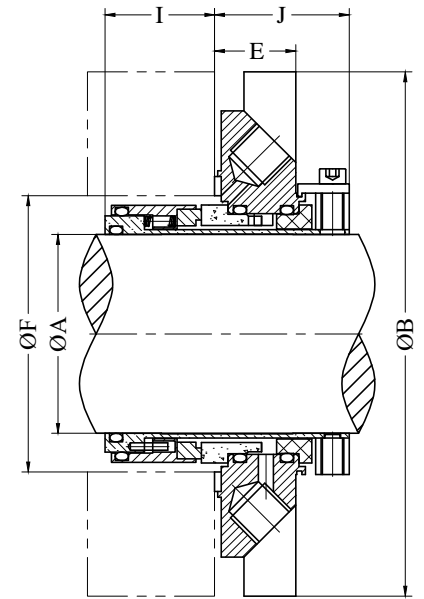
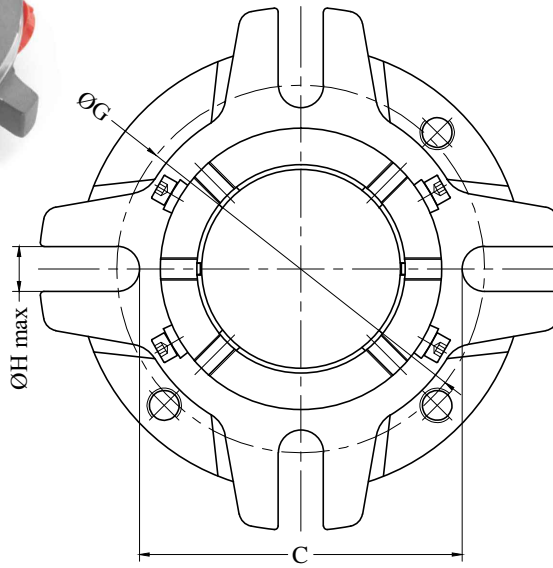
24 to 85 mm

ΦA	ΦB	C	D	E	ΦF min	ΦF min+	ΦF max	ΦG min	ΦG max	ΦH max	I	J
24	104.8	60.3	-	23.5	40	41	46	74.6	92	12	30.7	51.3
25	104.8	60.3	-	23.5	41	42	49.2	74.6	92	12	30.7	51.3
28	108	60.3	-	23.5	44	45	52.4	74.6	95.3	12	30.7	51.3
30	111	63.5	-	23.5	46	47	55.6	77.8	98.4	12	30.7	51.3
32	111	63.5	-	23.5	48	49	55.6	77.8	98.4	12	30.7	51.3
33	111	63.5	-	23.5	49	50	55.6	77.8	98.4	12	30.7	51.3
35	111	66.7	-	23.5	50.8	51.8	58.7	80.9	98.4	12	30.7	51.3
38	127	71.9	-	21.6	57.2	58.2	63.5	85.7	114.3	12	27.7	56.5
40	127	71.9	-	21.6	57.2	58.2	63.5	85.7	114.3	12	27.7	56.5
43	127	71.9	-	21.6	60.3	61.3	63.5	85.7	114.3	12	27.7	56.5
45	133.4	76.7	-	21.6	63.5	64.5	69.8	90.5	120.7	12	27.7	56.5
48	133.4	76.7	-	21.6	66.7	67.7	69.8	90.5	120.7	12	27.7	56.5
50	133.4	76.7	-	21.6	68	69	69.8	90.5	120.7	12	27.7	56.5
53	139.7	86	-	21.6	71	72	76.2	100	127	12	29.2	57.2
55	146	93.7	-	21.6	73	74	84.1	111.1	130.2	16	29.2	57.2
58	146	93.7	-	21.6	76.2	77.2	84.1	111.1	130.2	16	29.2	57.2
60	152.4	100	-	21.6	79.4	80.4	90.5	117.5	136.5	16	29.2	57.2
63	177.8	109.5	-	23.5	85.7	87.2	98.4	127	161.9	16	31.8	63.8
65	177.8	109.5	-	23.5	88.9	90.4	98.4	127	161.9	16	31.8	63.8
70	177.8	109.5	-	23.5	92.1	93.6	98.4	127	161.9	16	31.8	63.8
75	190.5	125.4	-	23.5	98.5	100	114.3	142.9	173	16	31.8	63.8
80	190.5	125.4	-	23.5	101.6	103.1	114.3	142.9	173	16	31.8	63.8
85	203.2	135	-	23.5	108	109.5	123.7	152.4	185.7	16	31.8	63.8



MH-CSSN

1" to 3.5" inch



Description:
 Type:MH-CSSN,
 Replacement of AES CSSN
 Banlanced/Cartridge
 Temperature:-20°C to 160°C
 Pressure force:16 bar / 232 psi
 Line rate:20 m/s
 Materials:SiC/TC/Carbon/Viton/EPDM/Etc

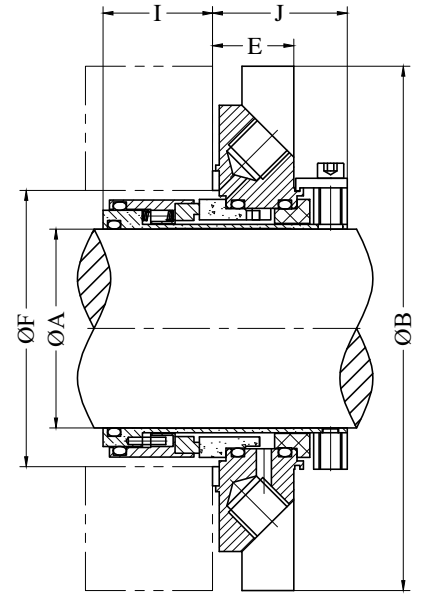
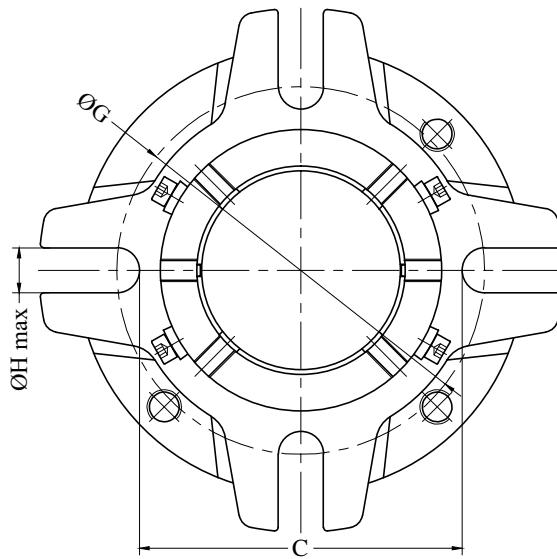
MH-CSSN Standard Cartridge Seal--Dimension Data

1" to 3.5" inch

ΦA	ΦB	C	D	E	ΦF min	ΦF min+	ΦF max	ΦG min	ΦG max	ΦH max	I	J
1.000	4.125	2.375	-	0.927	1.625	1.665	1.937	2.937	3.625	1/2	1.209	1.467
1.125	4.250	2.375	-	0.927	1.750	1.790	2.062	2.937	3.750	1/2	1.209	1.467
1.250	4.375	2.500	-	0.927	1.875	1.915	2.187	3.062	3.875	1/2	1.209	1.467
1.375	4.375	2.625	-	0.927	2.000	2.040	2.312	3.186	3.875	1/2	1.209	1.467
1.500	5.000	2.832	-	0.852	2.250	2.290	2.500	3.375	4.500	1/2	1.090	1.400
1.625	5.000	2.832	-	0.852	2.375	2.415	2.500	3.375	4.500	1/2	1.090	1.400
1.750	5.250	3.022	-	0.852	2.500	2.540	2.750	3.562	4.750	1/2	1.090	1.400
1.875	5.250	3.022	-	0.852	2.625	2.665	2.750	3.562	4.750	1/2	1.090	1.400
2.000	5.500	3.386	-	0.852	2.750	2.790	3.000	3.937	5.000	1/2	1.150	1.413
2.125	5.750	3.687	-	0.852	2.875	2.915	3.312	4.375	5.125	5/8	1.150	1.413
2.250	5.750	3.687	-	0.852	3.000	3.040	3.312	4.375	5.125	5/8	1.150	1.413
2.375	6.000	3.937	-	0.852	3.125	3.165	3.562	4.625	5.375	5/8	1.150	1.413
2.500	7.000	4.312	-	0.926	3.375	3.435	3.875	5.000	6.375	5/8	1.250	1.500
2.625	7.000	4.312	-	0.926	3.500	3.560	3.875	5.000	6.375	5/8	1.250	1.500
2.750	7.000	4.312	-	0.926	3.625	3.685	3.875	5.000	6.375	5/8	1.250	1.500
2.875	7.500	4.937	-	0.926	3.750	3.810	4.500	5.625	6.812	5/8	1.250	1.500
3.000	7.500	4.937	-	0.926	3.875	3.935	4.500	5.625	6.812	5/8	1.250	1.500
3.125	7.500	4.937	-	0.926	4.000	4.060	4.500	5.625	6.812	5/8	1.250	1.500
3.250	8.000	5.312	-	0.926	4.125	4.185	4.875	6.125	7.312	5/8	1.250	1.500
3.375	8.000	5.312	-	0.926	4.250	4.310	4.875	6.125	7.312	5/8	1.250	1.500
3.500	8.000	5.312	-	0.926	4.375	4.435	4.875	6.125	7.312	5/8	1.250	1.500

MH-CSSN

24 to 85 mm



Description:
 Type:MH-CSSN,
 Replacement of AES CSSN
 Banlanced/Cartridge
 Temperature:-20°C to 160°C
 Pressure force:16 bar / 232 psi
 Line rate:20 m/s
 Materials:SiC/TC/Carbon/Viton/EPDM/Etc

MH-CSSN Standard Cartridge Seal--Dimension Data

24 to 85 mm

ΦA	ΦB	C	D	E	ΦF min	ΦF min+	ΦF max	ΦG min	ΦG max	ΦH max	I	J
24	104.8	60.3	-	23.5	40	41	46	74.6	92	12	30.7	37.3
25	104.8	60.3	-	23.5	41	42	49.2	74.6	92	12	30.7	37.3
28	108	60.3	-	23.5	44	45	52.4	74.6	95.3	12	30.7	37.3
30	111	63.5	-	23.5	46	47	55.6	77.8	98.4	12	30.7	37.3
32	111	63.5	-	23.5	48	49	55.6	77.8	98.4	12	30.7	37.3
33	111	63.5	-	23.5	49	50	55.6	77.8	98.4	12	30.7	37.3
35	111	66.7	-	23.5	50.8	51.8	58.7	80.9	98.4	12	30.7	37.3
38	127	71.9	-	21.6	57.2	58.2	63.5	85.7	114.3	12	27.7	35.6
40	127	71.9	-	21.6	57.2	58.2	63.5	85.7	114.3	12	27.7	35.6
43	127	71.9	-	21.6	60.3	61.3	63.5	85.7	114.3	12	27.7	35.6
45	133.4	76.7	-	21.6	63.5	64.5	69.8	90.5	120.7	12	27.7	35.6
48	133.4	76.7	-	21.6	66.7	67.7	69.8	90.5	120.7	12	27.7	35.6
50	133.4	76.7	-	21.6	68	69	69.8	90.5	120.7	12	27.7	35.6
53	139.7	86	-	21.6	71	72	76.2	100	127	12	29.2	35.9
55	146	93.7	-	21.6	73	74	84.1	111.1	130.2	16	29.2	35.9
58	146	93.7	-	21.6	76.2	77.2	84.1	111.1	130.2	16	29.2	35.9
60	152.4	100	-	21.6	79.4	80.4	90.5	117.5	136.5	16	29.2	35.9
63	177.8	109.5	-	23.5	85.7	87.2	98.4	127	161.9	16	31.8	38.1
65	177.8	109.5	-	23.5	88.9	90.4	98.4	127	161.9	16	31.8	38.1
70	177.8	109.5	-	23.5	92.1	93.6	98.4	127	161.9	16	31.8	38.1
75	190.5	125.4	-	23.5	98.5	100	114.3	142.9	173	16	31.8	38.1
80	190.5	125.4	-	23.5	101.6	103.1	114.3	142.9	173	16	31.8	38.1
85	203.2	135	-	23.5	108	109.5	123.7	152.4	185.7	16	31.8	38.1

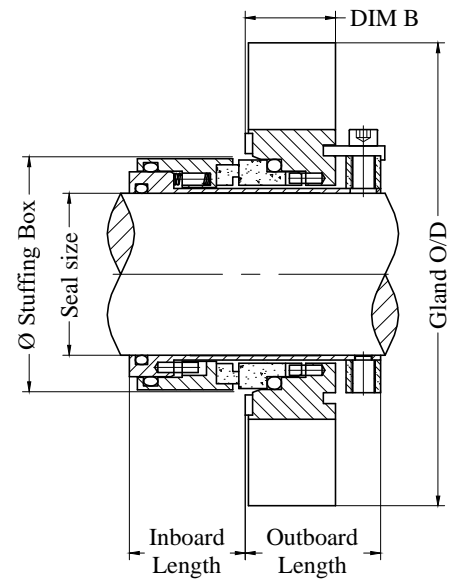
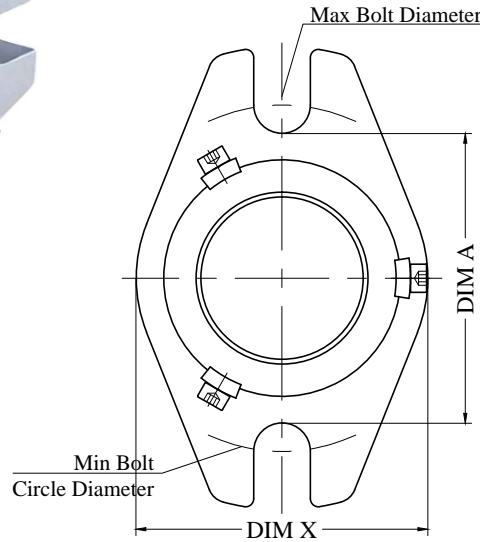


MH-Convertor II

1.000" to 4.000" inch

Description:

Type:MH-Convertor II
 Replacement of AES Convertor II
 Banlanced/Cartridge
 Temperature:-20°C to 160°C
 Pressure force:16 bar / 232 psi
 Line rate:20 m/s
 Materials:SiC/TC/Carbon/Viton/EPDM/Etc



MH-Convertor II Standard Cartridge Seal--Dimension Data/Inch

1.000" to 4.000" inch

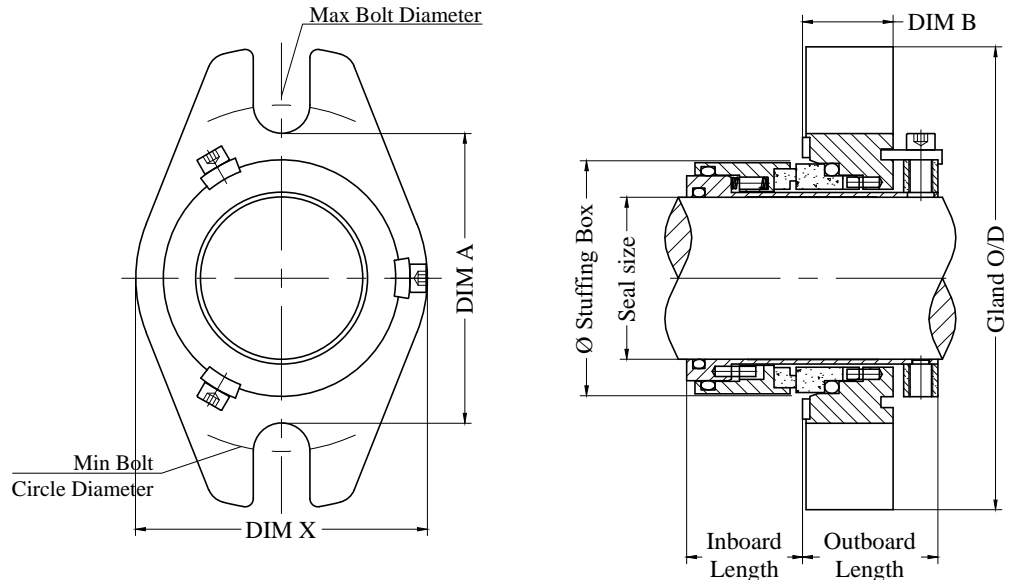
Seal Size	Gland O/D	DIM A	DIM B	DIM X	Stuffing Box		Bolt Circle Dia Max			Seal Length	
					min	max	min	max	Bolt Dia	Inboard	Outboard
1.000	4.000	2.187	0.812	2.208	1.625	1.875	2.750	3.500	1/2	1.026	1.247
1.125	4.125	2.312	0.812	2.333	1.750	2.000	2.875	3.625	1/2	1.026	1.247
1.250	4.250	2.437	0.812	2.458	1.875	2.125	3.000	3.750	1/2	1.026	1.247
1.375	4.250	2.625	0.812	2.645	2.000	2.250	3.187	3.750	1/2	1.026	1.247
1.500	4.500	2.812	0.875	2.833	2.250	2.500	3.375	4.000	1/2	1.125	1.312
1.625	4.750	2.937	0.875	2.958	2.375	2.625	3.500	4.250	1/2	1.125	1.312
1.750	5.000	3.062	0.937	3.083	2.500	2.750	3.625	4.500	1/2	1.187	1.375
1.875	5.250	3.187	0.937	3.207	2.625	2.875	3.750	4.750	1/2	1.187	1.375
2.000	5.500	3.312	1.000	3.333	2.750	3.000	4.000	4.875	5/8	1.187	1.437
2.125	5.750	3.437	1.000	3.458	2.875	3.125	4.125	5.125	5/8	1.187	1.437
2.250	6.500	3.750	1.000	3.895	3.000	3.375	4.562	5.750	3/4	1.187	1.437
2.375	6.500	3.750	1.000	3.895	3.125	3.375	4.562	5.750	3/4	1.187	1.437
2.500	7.000	4.375	1.000	4.770	3.375	4.000	5.187	6.250	3/4	1.125	1.625
2.625	7.000	4.375	1.000	4.770	3.500	4.000	5.187	6.250	3/4	1.125	1.625
2.750	7.000	4.375	1.000	4.770	3.625	4.000	5.187	6.250	3/4	1.125	1.625
2.875	7.500	4.937	1.250	5.145	3.750	4.500	5.750	6.750	3/4	1.187	2.000
3.000	7.500	4.937	1.250	5.145	3.875	4.500	5.750	6.750	3/4	1.187	2.000
3.125	7.500	4.937	1.250	5.145	4.000	4.500	5.750	6.750	3/4	1.187	2.000
3.250	8.000	5.312	1.250	5.520	4.125	4.875	6.125	7.250	3/4	1.187	2.000
3.375	8.000	5.312	1.250	5.520	4.250	4.875	6.125	7.250	3/4	1.187	2.000
3.500	8.000	5.312	1.250	5.520	4.375	4.875	6.125	7.250	3/4	1.187	2.000
3.625	8.500	5.687	1.250	5.895	4.500	5.250	6.500	7.750	3/4	1.187	2.000
3.750	8.500	5.687	1.250	5.895	4.625	5.250	6.500	7.750	3/4	1.187	2.000
3.875	8.500	5.687	1.250	5.895	4.750	5.250	6.500	7.750	3/4	1.187	2.000
4.000	9.000	6.062	1.250	6.145	4.875	5.500	6.875	8.250	3/4	1.187	2.000

MH-Convertor II

24 to 100 mm

Description:

Type:MH-Convertor II
 Replacement of AES Convertor II
 Banlanced/Cartridge
 Temperature:-20°C to 160°C
 Pressure force:16 bar / 232 psi
 Line rate:20 m/s
 Materials:SiC/TC/Carbon/Viton/EPDM/Etc



MH-Convertor II Standard Cartridge Seal--Dimension Data/mm

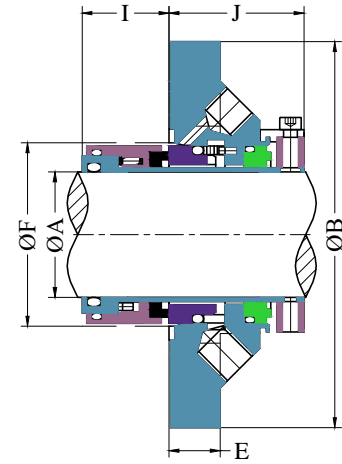
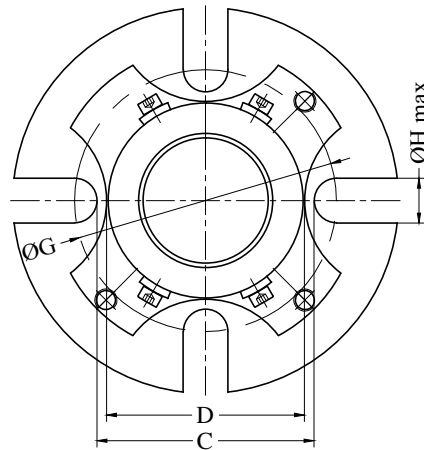
24 to 100 mm

Seal Size	Gland O/D	DIM A	DIM B	DIM X	Stuffing Box		Bolt Circle Dia Max			Seal Length	
					min	max	min	max	Bolt Dia	Inboard	Outboard
24	101.6	55.6	20.7	56.1	40	48	69.9	88.9	12	26	31.7
25	101.6	55.6	20.7	56.1	41	48	69.9	88.9	12	26	31.7
28	104.8	58.8	20.7	59.3	44	50	73.1	92.1	12	26	31.7
30	108	61.9	20.7	62.4	46	54	76.2	95.3	12	26	31.7
32	108	61.9	20.7	62.4	48	54	76.2	95.3	12	26	31.7
33	108	61.9	20.7	62.4	49	55	76.2	95.3	12	26	31.7
35	108	66.7	20.7	67.2	51	59	81	95.3	12	26	31.7
38	114.3	71.5	22.3	72	57.2	62	85.8	101.6	12	28.6	33.4
40	114.3	71.5	22.3	72	58	64	85.8	101.6	12	28.6	33.4
43	120.7	74.6	22.3	75.1	61	67	88.9	108	12	28.6	33.4
45	127	77.8	23.8	78.3	63.5	69	92.1	114.3	12	30.2	35
48	133.4	81	23.8	81.5	66.7	72	95.3	120.7	12	30.2	35
50	133.4	81	23.8	81.5	68	74	95.3	120.7	12	30.2	35
53	139.7	84.2	25.4	84.7	71	77	101.6	123.9	16	30.2	36.5
55	146.1	87.3	25.4	87.8	74	79	104.8	130.2	16	30.2	36.5
58	165.1	95.3	25.4	98.9	79.4	85.7	115.9	146	20	30.2	36.5
60	165.1	95.3	25.4	98.9	79.4	85.7	115.9	146	20	30.2	36.5
63	177.8	111.2	25.4	121.2	85.8	101.6	131.8	158.7	20	28.6	41.2
65	177.8	111.2	25.4	121.2	88.9	101.6	131.8	158.7	20	28.6	41.2
68	177.8	111.2	25.4	121.2	92.1	101.6	131.8	158.7	20	28.6	41.2
70	177.8	111.2	25.4	121.2	92.1	101.6	131.8	158.7	20	28.6	41.2
75	190.5	125.4	31.7	130.7	98.5	114.3	146.1	171.4	20	30.2	50.8
80	190.5	125.4	31.7	130.7	101.6	114.3	146.1	171.4	20	30.2	50.8
85	203.2	135	31.7	140.2	108	123.8	155.6	184.1	20	30.2	50.8
90	215.9	144.5	31.7	149.7	114.3	133.3	165.1	196.8	20	30.2	50.8
95	215.9	144.5	31.7	149.7	117.5	133.3	165.1	196.8	20	30.2	50.8
100	228.6	154	31.7	156.1	123.9	139.7	174.7	209.5	20	30.2	50.8

MH-CURC

1.000" to 5.000" inch

Description:
 Type:MH-CURC
 Replacement of AES CURC
 Banlanced/Cartridge
 Temperature:-20°C to 160°C
 Pressure force:16 bar / 232 psi
 Line rate:20 m/s
 Materials:SiC/TC/Carbon/Viton/EPDM/Etc



MH-CURC Standard Cartridge Seal--Dimension Data/inch

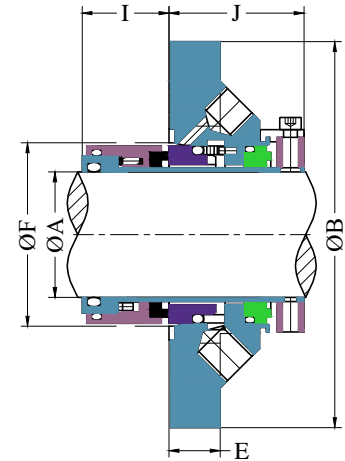
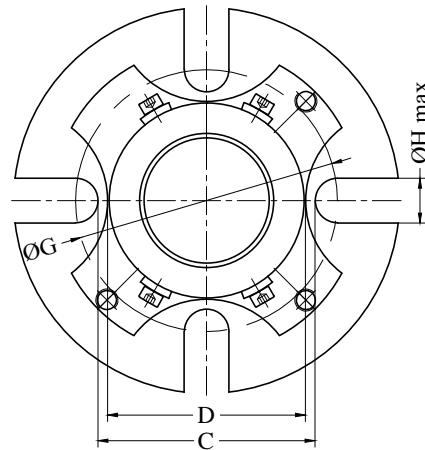
1.000" to 5.000" inch

MH-CURC (mm)											
A	B	C	D	E	ΦF min	ΦF max	ΦG min	ΦG max	ΦH max	I	J
1.000	4.125	2.125	1.937	0.519	1.625	1.937	2.687	3.562	1/2	1.125	1.590
1.125	4.250	2.250	2.063	0.519	1.750	2.062	2.812	3.687	1/2	1.125	1.590
1.250	4.375	2.375	2.187	0.519	1.875	2.187	2.937	3.812	1/2	1.125	1.590
1.375	4.375	2.500	2.312	0.519	2.000	2.250	3.062	3.812	1/2	1.125	1.590
1.500	5.000	2.812	2.562	0.644	2.250	2.375	3.375	4.437	1/2	1.125	1.752
1.625	5.000	2.812	2.562	0.644	2.375	2.500	3.375	4.437	1/2	1.125	1.752
1.750	5.500	3.187	2.812	0.644	2.500	2.750	3.750	4.937	1/2	1.125	1.752
1.875	5.500	3.187	2.812	0.644	2.625	2.875	3.750	4.937	1/2	1.125	1.752
2.000	6.000	3.562	3.063	0.644	2.750	3.000	4.125	5.437	1/2	1.125	1.752
2.000-A C	5.250	3.450	3.035	0.644	2.750	3.000	4.000	4.750	1/2	1.125	1.752
2.125	6.000	3.562	3.063	0.644	2.875	3.125	4.125	5.437	1/2	1.125	1.752
2.250	6.500	3.812	3.312	0.644	3.000	3.250	4.500	5.812	5/8	1.125	1.752
2.375	6.500	3.812	3.312	0.644	3.125	3.375	4.500	5.812	5/8	1.125	1.752
2.500	7.000	4.312	3.812	0.769	3.375	3.625	5.000	6.312	5/8	1.250	1.877
2.625	7.000	4.312	3.812	0.769	3.500	3.750	5.000	6.312	5/8	1.250	1.877
2.750	7.000	4.312	3.812	0.769	3.625	3.875	5.000	6.312	5/8	1.250	1.877
2.875	7.500	4.937	4.250	0.769	3.750	4.125	5.625	6.812	5/8	1.250	1.877
3.000	7.500	4.937	4.250	0.769	3.875	4.250	5.625	6.812	5/8	1.250	1.877
3.125	7.500	4.937	4.250	0.769	4.000	4.375	5.625	6.812	5/8	1.250	1.877
3.250	8.000	5.312	4.625	0.769	4.125	4.500	6.125	7.187	3/4	1.250	1.877
3.375	8.000	5.312	4.625	0.769	4.250	4.625	6.125	7.187	3/4	1.250	1.877
3.500	8.000	5.312	4.625	0.769	4.375	4.750	6.125	7.187	3/4	1.250	1.877
3.625	8.500	5.937	5.000	0.769	4.500	5.000	6.750	7.687	3/4	1.250	1.877
3.750	8.500	5.937	5.000	0.769	4.625	5.125	6.750	7.687	3/4	1.250	1.877
3.875	8.500	5.937	5.000	0.769	4.750	5.250	6.750	7.687	3/4	1.250	1.877
4.000	9.000	6.625	5.375	0.769	4.875	5.500	7.437	8.187	3/4	1.250	1.877
4.125	9.000	6.625	5.375	0.769	5.125	5.875	7.437	8.187	3/4	1.250	1.877
4.250	9.000	6.625	5.375	0.769	5.125	5.875	7.437	8.187	3/4	1.250	1.877
4.375	9.500	7.000	5.750	0.769	5.375	6.250	7.812	8.687	3/4	1.250	1.877
4.500	9.500	7.000	5.750	0.769	5.375	6.250	7.812	8.687	3/4	1.250	1.877
4.625	10.000	7.345	6.125	0.769	5.625	6.625	8.312	9.062	7/8	1.250	1.877
4.750	10.000	7.345	6.125	0.769	5.625	6.625	8.312	9.062	7/8	1.250	1.877
4.875	10.000	7.345	6.125	0.769	5.875	6.625	8.312	9.062	7/8	1.250	1.877
5.000	10.000	7.345	6.125	0.769	5.875	6.625	8.312	9.062	7/8	1.250	1.877

MH-CURC

24 to 125 mm

Description:
 Type:MH-CURC
 Replacement of AES CURC
 Banlanced/Cartridge
 Temperature:-20°C to 160°C
 Pressure force:16 bar / 232 psi
 Line rate:20 m/s
 Materials:SiC/TC/Carbon/Viton/EPDM/Etc



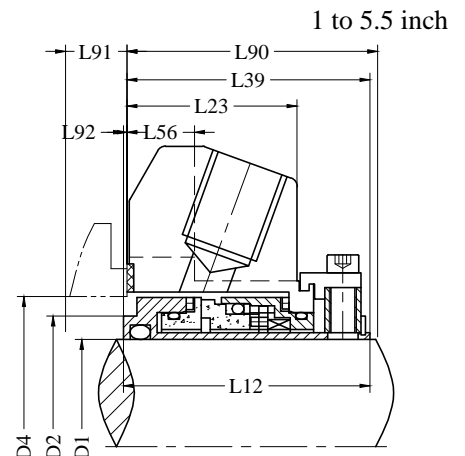
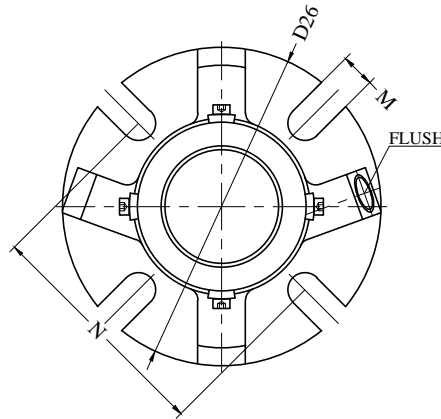
MH-CURC Standard Cartridge Seal--Dimension Data/inch

24 to 125 mm

MH-CURC (mm)											
A	B	C	D	E	ØF min	ØF max	ØG min	ØG max	ØH max	I	J
24	104.8	54	49.2	13.2	40	46	67	90.5	12	28.6	40.5
25	104.8	54	49.2	13.2	41	49	67	90.5	12	28.6	40.5
28	108	57.2	52.4	13.2	44	52.3	70.3	93.6	12	28.6	40.5
30	111	60.4	55.6	13.2	46	55.5	73.5	96.8	12	28.6	40.5
32	111	60.4	55.6	13.2	48	55.5	73.5	96.8	12	28.6	40.5
33	111	60.4	55.6	13.2	49	55.5	73.5	96.8	12	28.6	40.5
35	111	63.5	58.8	13.2	51	57.5	76.6	96.8	12	28.6	40.5
38	127	71.5	65	16.4	57.2	60.4	85.7	114.3	12	28.6	44.5
40	127	71.5	65	16.4	58	60.4	85.7	114.3	12	28.6	44.5
43	139.7	81	71.4	16.4	61	69.9	95.3	127	12	28.6	44.5
45	139.7	81	71.4	16.4	63.5	69.9	95.3	127	12	28.6	44.5
48	139.7	81	71.4	16.4	66.7	73	95.3	127	12	28.6	44.5
50	152.4	90.5	77.8	16.4	68	76.2	104.8	139.7	12	28.6	44.5
53	152.4	90.5	77.8	16.4	71	76.2	104.8	139.7	12	28.6	44.5
55	165.1	96.8	84.1	16.4	74	82.5	114.3	149.2	16	28.6	44.5
58	165.1	96.8	84.1	16.4	76.2	82.6	114.3	149.2	16	28.6	44.5
60	165.1	96.8	84.1	16.4	79.4	85.7	114.3	149.2	16	28.6	44.5
63	177.8	109.5	96.8	19.6	85.8	92.1	127	160.3	16	31.8	47.7
65	177.8	109.5	96.8	19.6	88.9	95.3	127	160.3	16	31.8	47.7
68	177.8	109.5	96.8	19.6	92.1	98.4	127	160.3	16	31.8	47.7
70	177.8	109.5	96.8	19.6	92.1	98.4	127	160.3	16	31.8	47.7
75	190.5	125.4	108	19.6	98.5	108	142.9	173	16	31.8	47.7
80	190.5	125.4	108	19.6	101.6	111.1	142.9	173	16	31.8	47.7
85	203.2	135	117.5	19.6	108	117.5	155.6	182.5	20	31.8	47.7
90	215.9	150.8	127	19.6	114.3	127	171.5	195.2	20	31.8	47.7
95	215.9	150.8	127	19.6	117.5	130.2	171.5	195.2	20	31.8	47.7
100	228.6	168.3	136.5	19.6	123.9	139.7	188.9	207.9	20	31.8	47.7
105	228.6	168.3	136.5	19.6	130.1	149.2	189	208	20	31.8	47.7
110	241.3	177.8	146.1	19.6	136.5	158.8	198.4	220.6	20	31.8	47.7
115	254	186.6	155.6	19.6	142.9	168.3	211.1	230.2	22	31.8	47.7
120	254	186.6	155.6	19.6	142.9	168.3	211.1	230.2	22	31.8	47.7
125	254	186.6	155.6	19.6	149.2	168.3	211.1	230.2	22	31.8	47.7

MH5610

Description:
 Type:MH5610
 Replacement of JohnCrane 5610
 Banlanced/Cartridge
 *Temperature:
 -30°C to 205°C/-20°F to 400°F
 *Pressure:
 Up to 75mm/3.000": 21 bar g/300 psig max.
 75mm/3.000" and Over: 13 bar g/200 psig max.
 *Speed:
 Up to 25 m/s / 5000 fpm
 Materials:SiC/TC/Carbon/Viton/EPDM/Etc



L90 MEAN MIN.TO NEAREST OBSTRUCTION
 L91 MEAN MIN.BOX.DEPTH

MH5610 Standard Cartridge Seal--Dimension Data

1 to 5.5 inch

MH5610 (inch)													
D1	D2	D4 min	D4 max	D26	L12	L23	L39	L56	L90	L91	L92	M	N
1.000	1.375	1.445	1.889	4.000	1.989	1.353	1.954	0.531	2.000	0.160	0.035	0.525	2.805
1.125	1.500	*	2.015	4.125	2.062	1.446	2.062	0.531	2.125	0.125	*	0.525	2.933
1.250	1.625	*	2.294	4.250	2.062	1.446	2.062	0.531	2.125	0.125	*	0.525	3.213
1.375	1.750	*	2.421	4.375	2.062	1.446	2.062	0.531	2.125	0.125	*	0.525	3.338
1.500	1.937	2.007	2.680	4.875	2.156	1.487	2.125	0.593	2.187	0.156	0.031	0.525	3.599
1.625	2.062	2.132	2.812	5.000	2.156	1.487	2.125	0.593	2.187	0.156	0.031	0.562	3.766
1.750	2.170	2.240	2.918	5.250	2.156	1.487	2.125	0.593	2.187	0.156	0.031	0.562	3.875
1.875	2.312	2.382	2.918	5.250	2.156	1.487	2.125	0.593	2.187	0.156	0.031	0.562	3.875
2.000	2.437	2.507	3.015	5.500	2.375	1.601	2.312	1.063	2.375	0.187	0.062	0.562	4.000
2.125	2.562	2.632	3.360	5.859	2.375	1.601	2.312	0.593	2.375	0.187	0.062	0.687	4.469
2.250	2.687	2.757	3.485	6.500	2.375	1.601	2.312	0.593	2.375	0.187	0.062	0.687	4.566
2.375	2.812	2.882	3.610	6.500	2.484	1.717	2.466	0.625	2.528	0.143	0.018	0.687	4.719
2.500	3.062	*	3.891	6.750	2.484	1.717	2.562	0.625	2.625	0.125	*	0.687	5.000
2.625	3.312	*	4.062	6.750	2.500	1.625	2.500	0.625	2.562	0.125	*	0.687	5.170
2.750	3.312	*	4.062	6.750	2.500	1.625	2.500	0.625	2.562	0.125	*	0.687	5.170
2.875	3.375	*	4.186	7.000	2.500	1.725	2.500	0.625	2.562	0.125	*	0.687	5.312
3.000	3.625	*	4.469	7.750	2.500	1.787	2.562	0.685	2.625	0.125	*	0.812	5.720
3.125	3.750	3.853	4.600	7.875	2.562	1.593	2.562	**	2.687	0.125	*	0.812	5.845
3.250	3.750	3.853	4.600	7.437	2.562	1.593	2.510	**	2.635	0.177	0.052	0.812	5.845
3.375	4.000	4.125	4.850	8.125	2.562	1.593	2.562	**	2.687	0.125	*	0.812	6.095
3.500	4.125	4.250	4.975	8.250	2.562	1.593	2.562	**	2.687	0.125	*	0.812	6.220
3.625	4.218	4.343	5.100	8.375	2.562	1.593	2.562	**	2.687	0.125	*	0.687	6.250
3.750	4.343	4.468	5.199	8.750	2.562	1.593	2.562	**	2.687	0.125	*	0.687	6.770
3.875	4.468	4.593	3.375	8.750	2.562	1.593	2.562	**	2.687	0.125	*	0.812	6.636
4.000	4.593	4.718	5.500	9.000	2.562	1.593	2.562	**	2.687	0.125	*	0.812	6.761
4.125	4.718	4.843	5.625	9.000	2.562	1.593	2.562	**	2.687	0.125	*	0.812	6.886
4.250	4.843	4.968	5.750	9.250	2.562	1.593	2.562	**	2.687	0.125	*	0.812	7.011
4.500	5.093	5.218	6.000	9.500	2.562	1.593	2.562	**	2.687	0.125	*	0.812	7.261
4.750	5.343	5.468	6.313	10.375	2.562	1.593	2.562	**	2.687	0.125	*	0.812	7.574
5.000	5.843	5.968	7.260	12.000	2.953	1.749	3.043	**	3.168	0.125	*	0.812	10.000
5.250	6.093	6.218	7.510	12.250	2.953	1.749	3.043	**	3.168	0.125	*	0.812	10.250
5.500	6.343	6.468	8.000	12.687	2.953	1.749	3.043	**	3.168	0.125	*	0.937	10.500

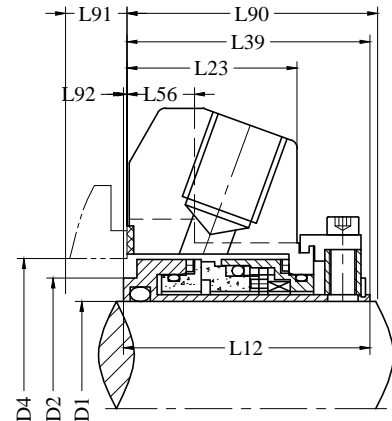
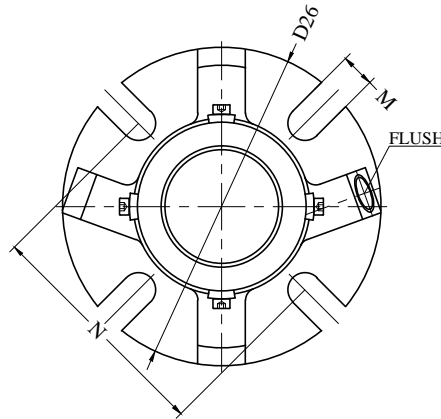
*Not applicable. Completely outside mounted.

**L56 not applicable. Refer to L23 for sizes over 3"

MH5610

24 to 140 mm

Description:
 Type:MH5610
 Replacement of JohnCrane 5610
 Banlanced/Cartridge
 *Temperature:
 -30°C to 205°C/-20°F to 400°F
 *Pressure:
 Up to 75mm/3.000": 21 bar g/300 psig max.
 75mm/3.000" and Over: 13 bar g/200 psig max.
 *Speed:
 Up to 25 m/s / 5000 fpm
 Materials:SiC/TC/Carbon/Viton/EPDM/Etc



L90 MEAN MIN.TO NEAREST OBSTRUCTION
 L91 MEAN MIN.BOX.DEPTH

MH5610 Standard Cartridge Seal--Dimension Data

24 to 140 mm

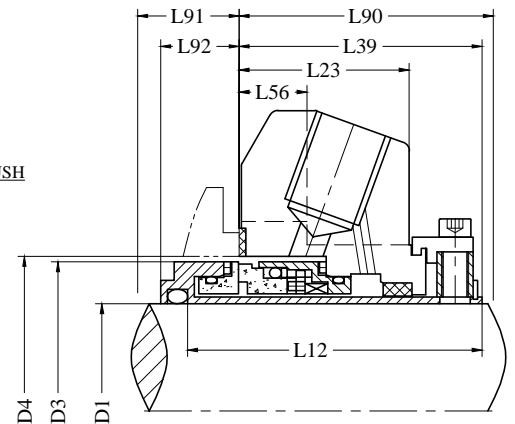
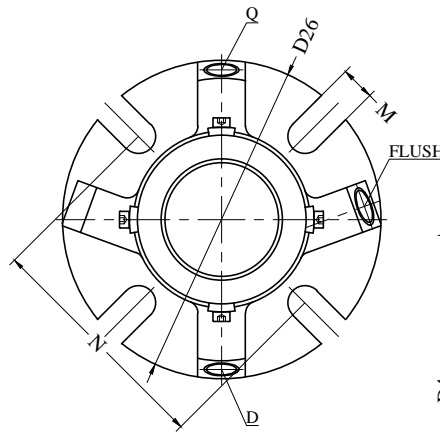
MH5610 (mm)													
D1	D2	D4 min	D4 max	D26	L12	L23	L39	L56	L90	L91	L92	M	N
24	34.9	36.7	48	101.6	50.5	34.4	49.6	13.5	50.8	4	0.9	13.3	71.2
25	34.9	36.7	48	101.6	50.5	34.4	49.6	13.5	50.8	4	0.9	13.3	71.2
28	38.1	*	51.2	104.8	52.4	36.7	52.4	13.5	54	3.2	*	13.3	74.5
30	40	*	56.5	108	52.4	36.7	52.4	13.5	54	3.2	*	13.3	79.9
32	41.3	*	58.3	108	52.4	36.7	52.4	13.5	54	3.2	*	13.3	81.6
33	44.5	*	61.5	111.1	52.4	36.7	52.4	13.5	54	3.2	*	13.3	84.8
35	44.5	*	61.5	111.1	52.4	36.7	52.4	13.5	54	3.2	*	13.3	84.8
38	49.2	51	68.1	123.8	54.8	37.8	54	15.1	55.5	4	0.8	13.3	91.4
40	52.4	54.2	71.4	127	54.8	37.8	54	15.1	55.5	4	0.8	14.3	95.7
43	55.1	56.9	74.1	133.4	54.8	37.8	54	15.1	55.5	4	0.8	14.3	98.4
45	55.1	56.9	74.1	133.4	54.8	37.8	54	15.1	55.5	4	0.8	14.3	98.4
48	58.7	60.5	74.1	133.4	54.8	37.8	54	15.1	55.5	4	0.8	14.3	98.4
50	61.9	63.7	76.6	139.7	60.3	40.7	58.7	27	60.3	4.7	1.6	14.3	101.6
53	65.1	66.9	85.3	148.8	60.3	40.7	58.7	15.1	60.3	4.7	1.6	17.4	113.5
55	66.7	75	85.3	148.8	60.3	40.7	58.7	15.1	60.3	4.7	1.6	17.4	113.5
58	68.2	70	88.5	165.1	60.3	40.7	58.7	15.1	60.3	4.7	1.6	17.4	116
60	71.4	73.2	91.7	165.1	63.1	43.6	62.6	15.9	64.2	3.6	1.6	17.4	119.9
63	77.8	*	98.8	171.5	63.1	43.6	65.1	15.9	66.7	3.2	0.5	17.4	127
65	77.8	*	98.8	171.5	63.1	43.6	65.1	15.9	66.7	3.2	*	17.4	127
68	84.1	*	103.2	171.5	63.5	41.3	63.5	15.9	65.1	3.2	*	17.4	131.3
70	84.1	*	103.2	171.5	63.5	41.3	63.5	15.9	65.1	3.2	*	17.4	131.3
75	92.1	*	113.5	196.9	63.5	45.4	65.1	17.4	66.7	3.2	*	20.6	145.3
80	95.3	97.9	116.8	188.9	65.1	40.5	63.8	**	66.9	4.5	1.3	20.6	148.4
85	101.6	104.8	123.2	206.4	65.1	40.5	65.1	**	68.3	3.2	*	20.6	154.8
90	107.1	110.3	129.5	212.7	65.1	40.5	65.1	**	68.3	3.2	*	17.4	158.8
95	110.3	113.5	132.1	222.3	65.1	40.5	65.1	**	68.3	3.2	*	17.4	172
100	116.7	119.8	139.7	228.6	65.1	40.5	65.1	**	68.3	3.2	*	20.6	171.7
105	119.8	123	142.9	228.6	65.1	40.5	65.1	**	68.3	3.2	*	20.6	174.9
110	129.4	132.5	152.4	241.3	65.1	40.5	65.1	**	68.3	3.2	*	20.6	184.4
115	129.4	132.5	152.4	241.3	65.1	40.5	65.1	**	68.3	3.2	*	20.6	184.4
120	135.7	138.9	160.4	263.5	65.1	40.5	65.1	**	68.3	3.2	*	20.6	192.4
125	148.4	151.6	184.4	304.8	75	44.4	77.3	**	80.5	3.2	*	20.6	254
130	154.8	157.9	190.8	311.2	75	44.4	77.3	**	80.5	3.2	*	20.6	260.4
135	161.1	164.3	203.2	322.3	75	44.4	77.3	**	80.5	3.2	*	23.8	266.7
140	161.1	164.3	203.2	322.3	75	44.4	77.3	**	80.5	3.2	*	23.8	266.7

*Not applicable. Completely outside mounted. **L56 not applicable. Refer to L23 for sizes over 3"

MH5610Q

1 to 5.5 inch

Description:
 Type:MH5610Q
 Replacement of JohnCrane 5610Q
 Banlanced/Cartridge
 *Temperature:
 -30°C to 205°C/-20°F to 400°F
 *Pressure:
 Up to 75mm/3.000": 21 bar g/300 psig max.
 75mm/3.000" and Over: 13 bar g/200 psig max.
 *Speed:
 Up to 25 m/s / 5000 fpm
 Materials:SiC/TC/Carbon/Viton/EPDM/Etc



L90 MEAN MIN.TO NEAREST OBSTRUCTION
 L91 MEAN MIN.BOX.DEPTH

MH5610Q Standard Cartridge Seal--Dimension Data

1 to 5.5 inch

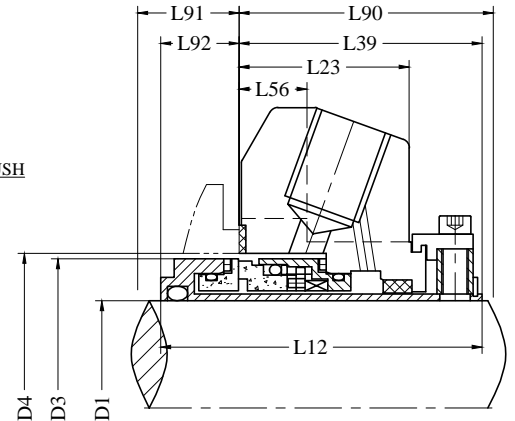
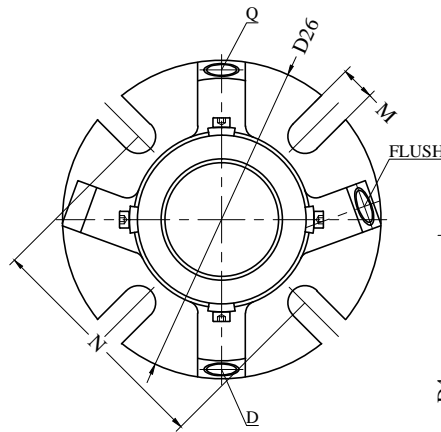
MH5610Q (inch)													
D1	D3	D4 min	D4 max	D26	L12	L23	L39	L56	L90	L91	L92	M	N
1.000	1.564	1.625	1.889	4.000	2.575	1.353	1.954	0.531	2.000	0.746	0.621	0.525	2.805
1.125	1.689	1.750	2.015	4.125	2.651	1.446	2.062	0.531	2.125	0.714	0.589	0.525	2.933
1.250	1.812	1.875	2.294	4.250	2.728	1.446	2.062	0.531	2.125	0.791	0.666	0.525	3.213
1.375	1.939	2.000	2.421	4.375	2.728	1.446	2.062	0.531	2.125	0.791	0.666	0.525	3.338
1.500	2.187	2.250	2.680	4.875	2.744	1.487	2.125	0.593	2.187	0.744	0.619	0.525	3.599
1.625	2.312	2.375	2.812	5.000	2.744	1.487	2.125	0.593	2.187	0.744	0.619	0.562	3.766
1.750	2.406	2.480	2.918	5.250	2.744	1.487	2.125	0.593	2.187	0.744	0.619	0.562	3.875
1.875	2.549	2.625	2.918	5.250	2.744	1.487	2.125	0.593	2.187	0.744	0.619	0.562	3.875
2.000	2.673	2.750	3.015	5.500	2.963	1.601	2.312	1.032	2.375	0.775	0.650	0.562	4.000
2.125	2.798	2.875	3.360	5.859	2.963	1.601	2.313	0.593	2.375	0.775	0.650	0.687	4.469
2.250	2.923	3.000	3.485	6.500	2.963	1.601	2.313	0.593	2.375	0.775	0.650	0.687	4.566
2.375	3.048	3.125	3.610	6.500	3.063	1.717	2.466	0.625	2.528	0.722	0.597	0.687	4.719
2.500	3.301	3.375	3.891	6.750	2.980	1.717	2.563	0.625	2.625	0.542	0.417	0.687	5.000
2.625	3.551	3.625	4.062	6.750	3.088	1.625	2.500	0.625	2.562	0.713	0.588	0.687	5.170
2.750	3.551	3.625	4.062	6.750	3.088	1.625	2.500	0.625	2.562	0.713	0.588	0.687	5.170
2.875	3.614	3.687	4.186	7.000	3.088	1.725	2.500	0.625	2.562	0.713	0.588	0.687	5.312
3.000	3.864	3.934	4.469	7.750	3.088	1.787	2.562	0.685	2.625	0.651	0.526	0.812	5.720
3.125	4.022	4.125	4.600	7.875	3.156	1.593	2.562	*	2.687	0.719	0.594	0.812	5.845
3.250	4.022	4.125	4.600	7.437	3.093	1.593	2.510	*	2.635	0.708	0.583	0.812	5.845
3.375	4.246	4.375	4.850	8.125	3.156	1.593	2.562	*	2.687	0.719	0.594	0.812	6.095
3.500	4.371	4.500	4.975	8.250	3.156	1.593	2.562	*	2.687	0.719	0.594	0.812	6.220
3.625	4.500	4.625	5.100	8.375	3.156	1.593	2.562	*	2.687	0.719	0.594	0.687	6.250
3.750	4.625	4.724	5.199	8.750	3.156	1.593	2.562	*	2.687	0.719	0.594	0.687	6.770
3.875	4.750	4.875	3.375	8.750	3.156	1.593	2.562	*	2.687	0.719	0.594	0.812	6.636
4.000	4.875	5.000	5.500	9.000	3.156	1.593	2.562	*	2.687	0.719	0.594	0.812	6.761
4.125	5.000	5.125	5.625	9.000	3.156	1.593	2.562	*	2.687	0.719	0.594	0.812	6.886
4.250	5.125	5.250	5.750	9.250	3.156	1.593	2.562	*	2.687	0.719	0.594	0.812	7.011
4.500	5.375	5.500	6.000	9.500	3.156	1.593	2.562	*	2.687	0.719	0.594	0.812	7.261
4.750	5.625	5.750	6.313	10.375	3.156	1.593	2.562	*	2.687	0.719	0.594	0.812	7.574
5.000	6.125	6.250	7.260	12.000	3.061	1.749	3.043	*	3.168	0.691	0.566	0.812	10.000
5.250	6.375	6.500	7.510	12.250	3.609	1.749	3.043	*	3.168	0.691	0.566	0.812	10.250
5.500	6.625	6.750	8.000	12.687	3.609	1.749	3.043	*	3.168	0.691	0.566	0.937	10.500

*L56 not applicable. Refer to L23 for sizes over 3"

MH5610Q

24 to 140 mm

Description:
 Type:MH5610Q
 Replacement of JohnCrane 5610Q
 Banlanced/Cartridge
 *Temperature:
 -30°C to 205°C/-20°F to 400°F
 *Pressure:
 Up to 75mm/3.000": 21 bar g/300 psig max.
 75mm/3.000" and Over: 13 bar g/200 psig max.
 *Speed:
 Up to 25 m/s / 5000 fpm
 Materials:SiC/TC/Carbon/Viton/EPDM/Etc



L90 MEAN MIN.TO NEAREST OBSTRUCTION
 L91 MEAN MIN.BOX.DEPTH

MH5610Q Standard Cartridge Seal--Dimension Data

24 to 140 mm

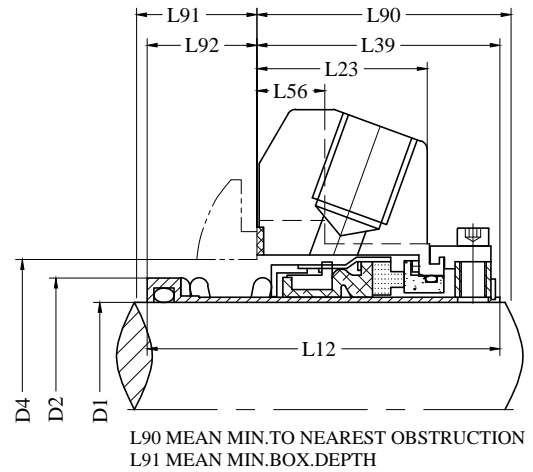
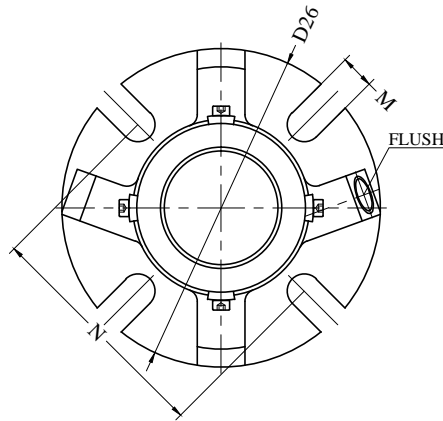
MH5610Q (mm)													
D1	D3	D4 min	D4 max	D26	L12	L23	L39	L56	L90	L91	L92	M	N
24	39.7	41.3	48	101.6	65.4	34.4	49.6	13.5	50.8	18.9	15.8	13.3	71.2
25	39.7	41.3	48	101.6	65.4	34.4	49.6	13.5	50.8	18.9	15.8	13.3	71.2
28	42.9	44.5	51.2	104.8	67.3	36.7	52.4	13.5	54	18.1	15	13.3	74.5
30	44.5	46.1	56.5	108	65.1	36.7	52.4	13.5	54	15.9	12.7	13.3	79.9
32	46	47.6	58.3	108	69.3	36.7	52.4	13.5	54	20.1	16.9	13.3	81.6
33	49.3	50.8	61.5	111.1	69.3	36.7	52.4	13.5	54	20.1	16.9	13.3	84.8
35	49.3	50.8	61.5	111.1	69.3	36.7	52.4	13.5	54	20.1	16.9	13.3	84.8
38	55.5	57.2	68.1	123.8	69.7	37.8	54	15.1	55.5	18.9	15.7	13.3	91.4
40	58.7	60.3	71.4	127	69.7	37.8	54	15.1	55.5	18.9	15.7	14.3	95.7
43	61.1	63	74.1	133.4	69.7	37.8	54	15.1	55.5	18.9	15.7	14.3	98.4
45	61.1	63	74.1	133.4	69.7	37.8	54	15.1	55.5	18.9	15.7	14.3	98.4
48	64.7	66.7	74.1	133.4	69.7	37.8	54	15.1	55.5	18.9	15.7	14.3	98.4
50	67.9	70	76.6	139.7	75.3	40.7	58.7	27	60.3	19.7	16.5	14.3	101.6
53	71.1	73	85.3	148.8	75.3	40.7	58.7	15.1	60.3	19.7	16.5	17.4	113.5
55	72.9	75	85.3	148.8	75.3	40.7	58.7	15.1	60.3	19.7	16.5	17.4	113.5
58	74.2	76.2	88.5	165.1	75.3	40.7	58.7	15.1	60.3	19.7	16.5	17.4	116
60	77.4	79.4	91.7	165.1	77.8	43.6	62.6	15.9	64.2	18.3	15.2	17.4	119.9
63	83.8	85.7	98.8	171.5	75.7	43.6	65.1	15.9	66.7	13.8	10.6	17.4	127
65	83.8	85.7	98.8	171.5	75.7	43.6	65.1	15.9	66.7	13.8	10.6	17.4	127
68	90.2	92.1	103.2	171.5	78.4	41.3	63.5	15.9	65.1	18.1	14.9	17.4	131.3
70	90.2	92.1	103.2	171.5	78.4	41.3	63.5	15.9	65.1	18.1	14.9	17.4	131.3
75	98.1	99.9	113.5	196.9	78.4	45.4	65.1	17.4	66.7	16.5	13.4	20.6	145.3
80	102.2	104.8	116.8	189	80.2	40.5	63.8	*	66.9	18	14.8	20.6	148.5
85	107.9	111.1	123.2	206.4	80.2	40.5	65.1	*	68.3	18.3	15.1	20.6	154.8
90	114.3	117.5	129.5	212.7	80.2	40.5	65.1	*	68.3	18.3	15.1	17.4	158.8
95	117.5	120	132.1	222.3	80.2	40.5	65.1	*	68.3	18.3	15.1	17.4	172
100	123.8	127	139.7	228.6	80.2	40.5	65.1	*	68.3	18.3	15.1	20.6	171.7
105	127	130.2	142.9	228.6	80.2	40.5	65.1	*	68.3	18.3	15.1	20.6	174.9
110	136.5	139.7	152.4	241.3	80.2	40.5	65.1	*	68.3	18.3	15.1	20.6	184.4
115	136.5	139.7	152.4	241.3	80.2	40.5	65.1	*	68.3	18.3	15.1	20.6	184.4
120	142.9	146.1	160.4	263.5	80.2	40.5	65.1	*	68.3	18.3	15.1	20.6	192.4
125	155.6	158.8	184.4	304.8	91.7	91.4	77.3	*	80.5	17.6	14.4	20.6	254
130	161.9	165.1	190.8	311.2	91.7	91.4	77.3	*	80.5	17.6	14.4	20.6	260.4
135	168.3	171.5	203.2	322.3	91.7	91.4	77.3	*	80.5	17.6	14.4	23.8	266.7
140	168.3	171.5	203.2	322.3	91.7	91.4	77.3	*	80.5	17.6	14.4	23.8	266.7

*L56 not applicable. Refer to L23 for sizes over 3"

MH5611

1 to 4 inch

Description:
 Type:MH5611
 Replacement of JohnCrane 5611
 Banlanced/Cartridge
 *Temperature:
 -30°C to 205°C/-20°F to 400°F
 *Pressure:
 Up to 75mm/3.000": 21 bar g/300 psig max.
 75mm/3.000" and Over: 13 bar g/200 psig max.
 *Speed:
 Up to 25 m/s / 5000 fpm
 Materials:SiC/TC/Carbon/Viton/EPDM/Etc



MH5611 Standard Cartridge Seal--Dimension Data

1 to 4 inch

MH5611 (inch)													
D1	D2	D4 min	D4 max	D26	L12	L23	L39	L56	L90	L91	L92	M	N
1.000	1.375	1.500	1.889	4.000	2.739	1.353	1.954	0.531	2.000	0.910	0.785	0.525	2.805
1.125	1.500	1.625	2.015	4.125	2.595	1.446	2.062	0.531	2.125	0.658	0.533	0.525	2.933
1.250	1.687	1.812	2.294	4.250	2.718	1.446	2.062	0.531	2.125	0.781	0.656	0.525	3.213
1.375	1.812	1.937	2.421	4.375	2.625	1.446	2.062	0.531	2.125	0.688	0.563	0.525	3.338
1.500	2.000	2.125	2.680	4.875	2.960	1.487	2.125	0.593	2.187	0.960	0.835	0.525	3.599
1.625	2.125	2.250	2.812	5.000	3.022	1.487	2.125	0.593	2.187	1.022	0.897	0.562	3.766
1.750	2.250	2.375	2.918	5.250	3.038	1.487	2.125	0.593	2.187	1.038	0.913	0.562	3.875
1.875	2.375	2.500	2.918	5.250	3.038	1.487	2.125	0.593	2.187	1.038	0.913	0.562	3.875
2.000	2.687	2.750	3.015	5.500	3.454	1.601	2.312	1.063	2.375	1.266	1.141	0.562	4.000
2.125	2.812	2.875	3.360	5.859	3.454	1.601	2.312	0.593	2.375	1.266	1.141	0.687	4.469
2.250	2.750	2.875	3.485	6.500	3.579	1.601	2.312	0.593	2.375	1.391	1.266	0.687	4.566
2.375	3.062	3.125	3.610	6.500	3.468	1.717	2.466	0.625	2.528	1.127	1.002	0.687	4.719
2.500	3.250	3.375	3.891	6.750	3.829	1.717	2.563	0.625	2.625	1.391	1.266	0.687	5.000
2.625	3.500	3.625	4.062	6.750	3.978	1.625	2.500	0.625	2.562	1.603	1.478	0.687	5.170
2.750	3.500	3.625	4.062	6.750	3.978	1.625	2.500	0.625	2.562	1.603	1.478	0.687	5.170
2.875	3.625	3.695	4.186	7.000	3.978	1.625	2.500	0.625	2.562	1.603	1.478	0.687	5.312
3.000	3.937	4.000	4.469	7.750	4.172	1.787	2.562	0.685	2.625	1.735	1.610	0.812	5.720
3.125	4.062	4.125	4.600	7.875	4.187	1.593	2.562	*	2.687	1.750	1.625	0.812	5.845
3.250	4.062	4.125	4.600	7.437	4.187	1.593	2.510	*	2.635	1.802	1.677	0.812	5.845
3.375	4.312	4.375	4.850	8.125	4.375	1.593	2.562	*	2.687	1.938	1.813	0.812	6.095
3.500	4.437	4.500	4.975	8.250	3.344	1.593	2.562	*	2.687	1.907	1.782	0.812	6.220
3.625	4.562	4.625	5.100	8.375	4.625	1.593	2.562	*	2.687	2.188	2.063	0.687	6.250
3.750	4.632	4.724	5.199	8.750	4.437	1.593	2.562	*	2.687	2.000	1.875	0.687	6.770
3.875	4.812	4.905	5.375	8.750	4.500	1.593	2.562	*	2.687	2.063	1.938	0.812	6.636
4.000	4.937	5.031	5.500	9.000	4.812	1.593	2.562	*	2.687	2.375	2.250	0.812	6.761

*Not applicable. Refer to L23 for sizes over 3.000"

MH5611

24 to 125 mm

Description:
Type:MH5611

Replacement of JohnCrane 5611

Balanced/Cartridge

*Temperature:

-30°C to 205°C/-20°F to 400°F

*Pressure:

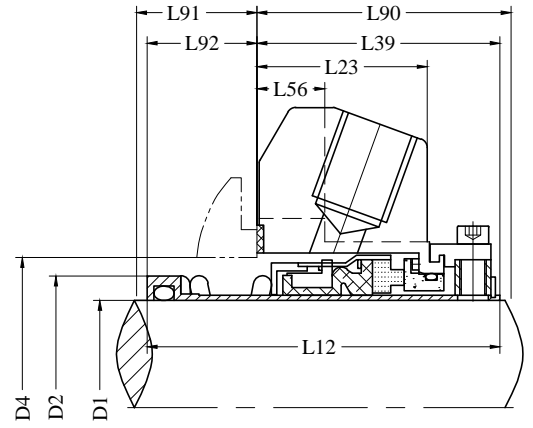
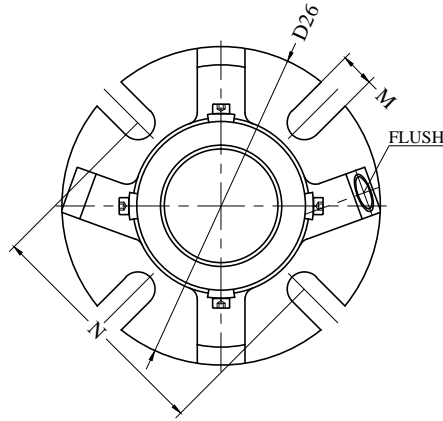
Up to 75mm/3.000": 21 bar g/300 psig max.

75mm/3.000" and Over: 13 bar g/200 psig max.

*Speed:

Up to 25 m/s / 5000 fpm

Materials:SiC/TC/Carbon/Viton/EPDM/Etc



L90 MEAN MIN.TO NEAREST OBSTRUCTION
L91 MEAN MIN.BOX.DEPTH

MH5611 Standard Cartridge Seal--Dimension Data

24 to 125 mm

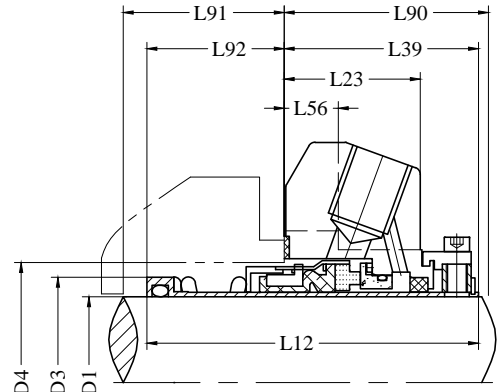
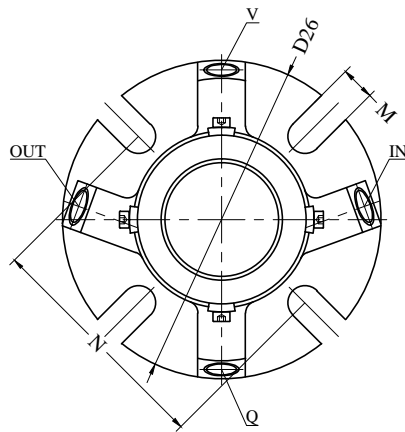
MH5611 (mm)													
D1	D2	D4 min	D4 max	D26	L12	L23	L39	L56	L90	L91	L92	M	N
24	34.9	38.1	48	101.6	69.6	34.4	49.6	13.5	50.8	23.1	20	13.3	71.2
25	34.9	38.1	48	101.6	69.6	34.4	49.6	13.5	50.8	23.1	20	13.3	71.2
28	38.1	41.3	51.2	104.8	65.9	36.7	52.4	13.5	54	16.7	13.5	13.3	74.5
30	42.8	46	56.5	108	69	36.7	52.4	13.5	54	19.8	16.7	13.3	81.6
32	42.8	46	58.3	108	69	36.7	52.4	13.5	54	19.8	16.7	13.3	81.6
33	46	49.2	61.5	111.1	66.7	36.7	52.4	13.5	54	12.5	14.3	13.3	84.8
35	46	49.2	61.5	111.1	66.7	36.7	52.4	13.5	54	17.5	14.3	13.3	84.8
38	50.8	54	68.1	123.8	75.2	37.8	54	15.1	55.6	24.4	21.2	13.3	91.4
40	54	57.2	71.4	127	76.8	37.8	54	15.1	55.6	26	22.8	14.3	95.7
43	57.2	60.3	74.1	133.4	77.2	37.8	54	15.1	55.6	26.4	23.2	14.3	98.4
45	57.2	60.3	74.1	133.4	77.2	37.8	54	15.1	55.6	26.4	23.2	14.3	98.4
48	60.3	63.5	74.1	133.4	77.2	37.8	54	15.1	55.6	26.4	23.2	14.3	98.4
50	38.2	69.9	76.6	139.7	87.7	40.7	58.7	27	60.3	32.2	29	14.3	101.6
53	71.4	73	85.3	148.8	87.7	40.7	58.7	15.1	60.3	32.2	29	17.4	113.5
55	69.9	73	85.3	148.8	90.9	40.7	58.7	15.1	60.3	35.4	32.2	17.4	113.5
58	69.9	75	88.5	165.1	90.9	40.7	58.7	15.1	60.3	35.4	32.2	17.4	116
60	77.8	79.4	91.7	165.1	88.1	43.6	62.6	15.9	64.2	28.6	25.5	17.4	119.9
63	82.6	85.7	98.8	171.5	97.3	43.6	65.1	15.9	66.7	35.4	32.2	17.4	127
65	82.6	85.7	98.8	171.5	97.3	43.6	65.1	15.9	66.7	35.4	32.2	17.4	127
68	88.9	92.1	103.2	171.5	101	41.2	63.5	15.9	65.1	40.7	37.5	17.4	131.3
70	88.9	92.1	103.2	171.5	101	41.2	63.5	17.4	65.1	40.7	37.5	17.4	131.3
75	100	101.6	113.5	196.9	106	45.4	65.1	*	66.7	44.1	40.9	20.6	145.3
80	103.2	104.8	116.8	188.9	106.4	40.5	63.8	*	66.9	45.8	42.6	20.6	148.5
85	109.5	111.1	123.2	206.4	111.1	40.5	65.1	*	68.3	49.2	46.1	20.6	154.8
90	115.9	117.5	129.5	212.7	117.5	40.5	65.1	*	68.3	55.6	52.4	17.4	158.8
95	117.7	120	132.1	222.3	112.7	40.5	65.1	*	68.3	50.8	47.6	17.4	172
100	125.4	127.8	139.7	228.6	122.2	40.5	65.1	*	68.3	60.3	57.2	20.6	171.7
125	165.1	167.5	184.4	304.8	146	41.4	77.3	*	80.5	71.9	68.8	20.6	254

*Not applicable. Refer to L23 for sizes over 3.000"

MH5611Q

1 to 4 inch

Description:
 Type:MH5611Q
 Replacement of JohnCrane 5611Q
 Banlanced/Cartridge
 *Temperature:
 -30°C to 205°C/-20°F to 400°F
 *Pressure:
 Up to 75mm/3.000": 21 bar g/300 psig max.
 75mm/3.000" and Over: 13 bar g/200 psig max.
 *Speed:
 Up to 25 m/s / 5000 fpm
 Materials:SiC/TC/Carbon/Viton/EPDM/Etc



L90 MEAN MIN.TO NEAREST OBSTRUCTION
 L91 MEAN MIN.BOX.DEPTH

MH5611Q Standard Cartridge Seal--Dimension Data

1 to 4 inch

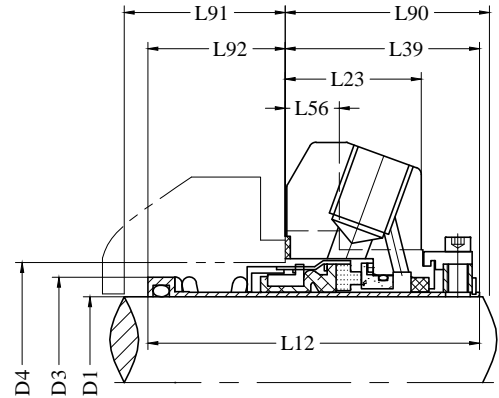
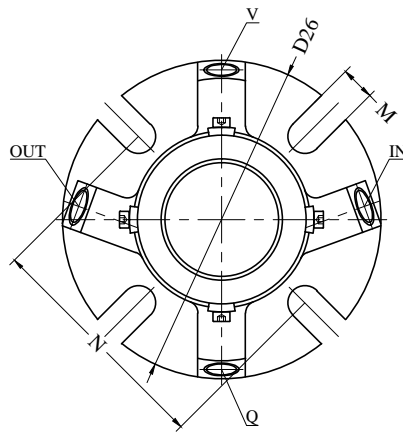
MH5611Q (inch)													
D1	D3	D4 min	D4 max	D26	L12	L23	L39	L56	L90	L91	L92	M	N
1.000	1.562	1.625	1.889	4.000	3.327	1.353	1.954	0.531	2.000	1.498	1.373	0.525	2.805
1.125	1.687	1.750	2.015	4.125	3.183	1.446	2.062	0.531	2.125	1.246	1.121	0.525	2.933
1.250	1.812	1.875	2.294	4.250	3.390	1.446	2.062	0.531	2.125	1.453	1.328	0.525	3.213
1.375	1.937	2.000	2.421	4.375	3.290	1.446	2.062	0.531	2.125	1.353	1.228	0.525	3.338
1.500	2.156	2.218	2.680	4.875	3.548	1.487	2.125	0.593	2.187	1.548	1.423	0.525	3.599
1.625	2.281	2.343	2.812	5.000	3.610	1.487	2.125	0.593	2.187	1.610	1.485	0.562	3.766
1.750	2.406	2.480	2.918	5.250	3.626	1.487	2.125	0.593	2.187	1.626	1.501	0.562	3.875
1.875	2.531	2.625	2.918	5.250	3.626	1.487	2.125	0.593	2.187	1.626	1.501	0.562	3.875
2.000	2.687	2.750	3.015	5.500	4.042	1.601	2.312	1.063	2.375	1.854	1.729	0.562	4.000
2.125	2.812	2.875	3.360	5.859	4.042	1.601	2.312	0.593	2.375	1.854	1.729	0.687	4.469
2.250	2.937	3.000	3.485	6.500	4.167	1.601	2.312	0.593	2.375	1.979	1.854	0.687	4.566
2.375	3.062	3.125	3.610	6.500	4.062	1.717	2.466	0.625	2.528	1.783	1.596	0.687	4.719
2.500	3.250	3.375	3.891	6.750	4.325	1.717	2.563	0.625	2.625	1.887	1.762	0.687	5.000
2.625	3.500	3.625	4.062	6.750	4.566	1.625	2.500	0.625	2.562	2.191	2.066	0.687	5.170
2.750	3.500	3.625	4.062	6.750	4.566	1.625	2.500	0.625	2.562	2.191	2.066	0.687	5.170
2.875	3.625	3.695	4.186	7.000	4.578	1.725	2.500	0.625	2.562	2.203	2.078	0.687	5.312
3.000	3.937	4.000	4.469	7.750	4.750	1.787	2.562	0.685	2.625	2.313	2.188	0.812	5.720
3.125	4.062	4.125	4.600	7.875	4.781	1.593	2.562	*	2.687	2.344	2.219	0.812	5.845
3.250	4.062	4.125	4.600	7.437	4.718	1.593	2.510	*	2.635	2.333	2.208	0.812	5.845
3.375	4.312	4.375	4.850	8.125	4.969	1.593	2.562	*	2.687	2.532	2.407	0.812	6.095
3.500	4.437	4.500	4.975	8.250	4.969	1.593	2.562	*	2.687	2.532	2.407	0.812	6.220
3.625	4.562	4.625	5.100	8.375	5.218	1.593	2.562	*	2.687	2.781	2.656	0.687	6.250
3.750	4.687	4.781	5.199	8.750	5.031	1.593	2.562	*	2.687	2.594	2.469	0.687	6.770
3.875	4.875	4.968	5.375	8.750	5.093	1.593	2.562	*	2.687	2.656	2.531	0.812	6.636
4.000	5.021	5.114	5.500	9.000	5.406	1.593	2.562	*	2.687	2.969	2.844	0.812	6.761

*Not applicable. Refer to L23 for sizes over 75mm

MH5611Q

24 to 125 mm

Description:
 Type:MH5611Q
 Replacement of JohnCrane 5611Q
 Banlanced/Cartridge
 *Temperature:
 -30°C to 205°C/-20°F to 400°F
 *Pressure:
 Up to 75mm/3.000": 21 bar g/300 psig max.
 75mm/3.000" and Over: 13 bar g/200 psig max.
 *Speed:
 Up to 25 m/s / 5000 fpm
 Materials:SiC/TC/Carbon/Viton/EPDM/Etc



L90 MEAN MIN.TO NEAREST OBSTRUCTION
 L91 MEAN MIN.BOX.DEPTH

MH5611Q Standard Cartridge Seal--Dimension Data

24 to 125 mm

MH5611Q (mm)													
D1	D3	D4 min	D4 max	D26	L12	L23	L39	L56	L90	L91	L92	M	N
24	39.7	41.3	48	101.6	84.5	34.4	49.6	13.5	50.8	38	34.9	13.3	71.2
25	39.7	41.3	48	101.6	84.5	34.4	49.6	13.5	50.8	38	34.9	13.3	71.2
28	42.9	44.5	51.2	104.8	80.8	36.7	52.4	13.5	54	31.6	28.5	13.3	74.5
30	44.5	46.1	56.5	108	81.7	36.7	52.4	13.5	54	32.5	29.4	13.3	81.6
32	45	47.6	58.3	108	86.1	36.7	52.4	13.5	54	36.9	33.7	13.3	81.6
33	49.2	50.8	61.5	111.1	83.6	36.7	52.4	13.5	54	34.4	31.2	13.3	84.8
35	49.2	50.8	61.5	111.1	83.6	36.7	52.4	13.5	54	34.4	31.2	13.3	84.8
38	54.8	56.3	68.1	123.8	90.1	37.8	54	15.1	55.6	39.3	36.1	13.3	91.4
40	57.9	59.5	71.4	127	91.7	37.8	54	75.1	55.6	40.9	37.7	14.3	95.7
43	61.1	63	74.1	133.4	92.1	37.8	54	15.1	55.6	41.3	38.1	14.3	98.4
45	61.1	63	74.1	133.4	92.1	37.8	54	15.1	55.6	41.3	38.1	14.3	98.4
48	64.3	66.7	74.1	133.4	92.1	37.8	54	15.1	55.6	41.3	38.1	14.3	98.4
50	68.2	70	76.6	139.7	102.7	40.7	58.7	27	60.3	47.1	43.9	14.3	101.6
53	71.4	73	85.3	148.8	102.7	40.7	58.7	15.1	60.3	47.1	43.9	17.4	113.5
55	74.6	76.7	85.3	148.8	105.8	40.7	58.7	15.1	60.3	50.3	47.1	17.4	113.5
58	74.6	76.2	88.5	165.1	105.8	40.7	58.7	15.1	60.3	50.3	47.1	17.4	116
60	77.8	79.4	91.7	165.1	103.2	43.6	62.6	15.9	64.2	43.7	40.5	17.4	119.9
63	82.6	85.7	98.8	171.5	109.9	43.6	65.1	15.9	66.7	48	44.8	17.4	127
65	82.6	85.7	98.8	171.5	109.9	43.6	65.1	15.9	66.7	48	44.8	17.4	127
68	88.9	92.1	103.2	171.5	116	41.2	63.5	15.9	65.1	55.7	52.5	17.4	131.3
70	88.9	92.1	103.2	171.5	116	41.2	63.5	15.9	65.1	55.7	52.5	17.4	131.3
75	100	101.6	113.5	196.9	120.7	45.4	65.1	17.4	66.7	58.8	55.6	20.6	145.3
80	103.2	104.8	116.8	188.9	119.8	40.5	63.8	*	66.9	59.3	56.1	20.6	148.4
85	109.5	111.1	123.2	206.4	126.2	40.5	65.1	*	68.3	64.3	61.1	20.6	154.8
90	115.9	117.5	129.5	212.7	132.5	40.5	65.1	*	68.3	70.6	67.5	17.4	158.8
95	119.1	121.4	132.1	222.3	127.8	40.5	65.1	*	68.3	65.9	62.7	17.4	172
100	127.5	129.9	139.7	228.6	137.3	40.5	65.1	*	68.3	75.4	72.2	20.6	171.7
125	165.1	167.5	184.4	304.8	162.7	44.4	77.2	*	80.5	88.5	88.4	20.6	254

*Not applicable. Refer to L23 for sizes over 75mm

MH-S10/S20

MH-S10/S20 Standard Seal--Dimension Data

25 to 120 mm / 1.000" to 2.625" inch

Description:

Type:MH-S10/S20

Replacement of Chesterton S10/S20

Pressure: ≤ 3.1 MPaSpeed: ≤ 25 m/sTemperature: $-55^{\circ}\text{C} \sim +300^{\circ}\text{C}$

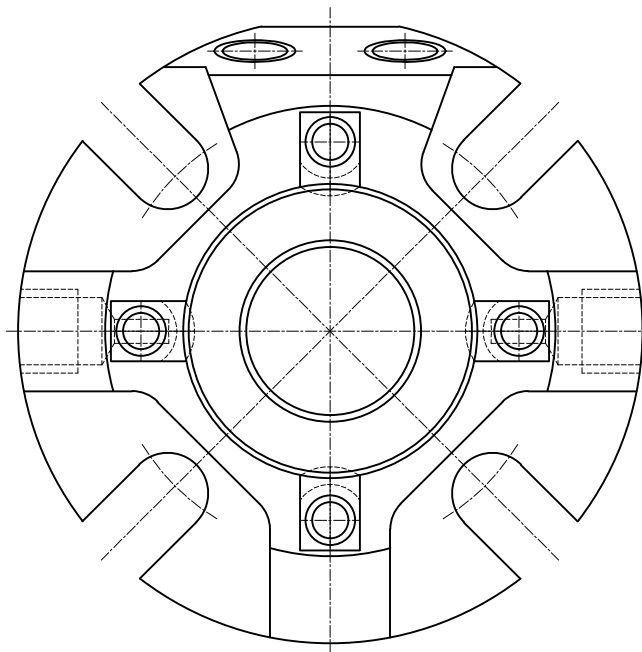
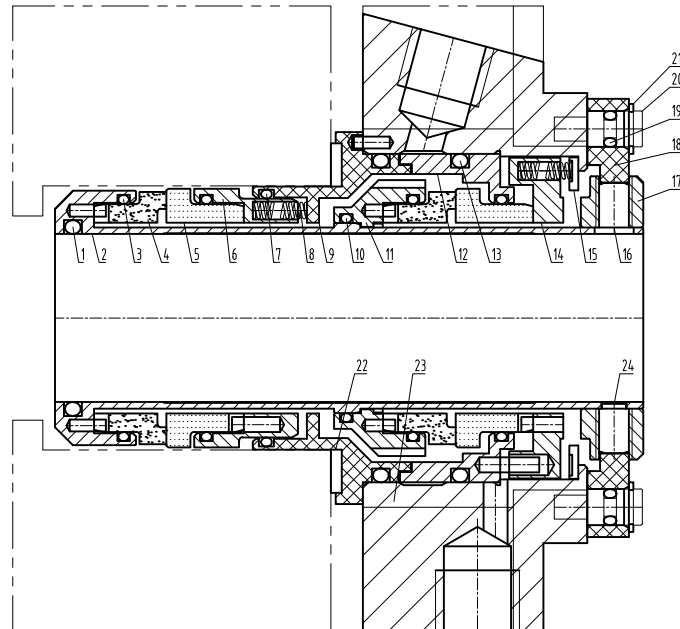
Rotary Ring(Carbon/SiC/TC)

Stationary Ring(Ceramic/SiC/TC)

Secondary Seal(NBR/EPDM/VITON)

Spring & Other

Parts(SUS304/SUS316)



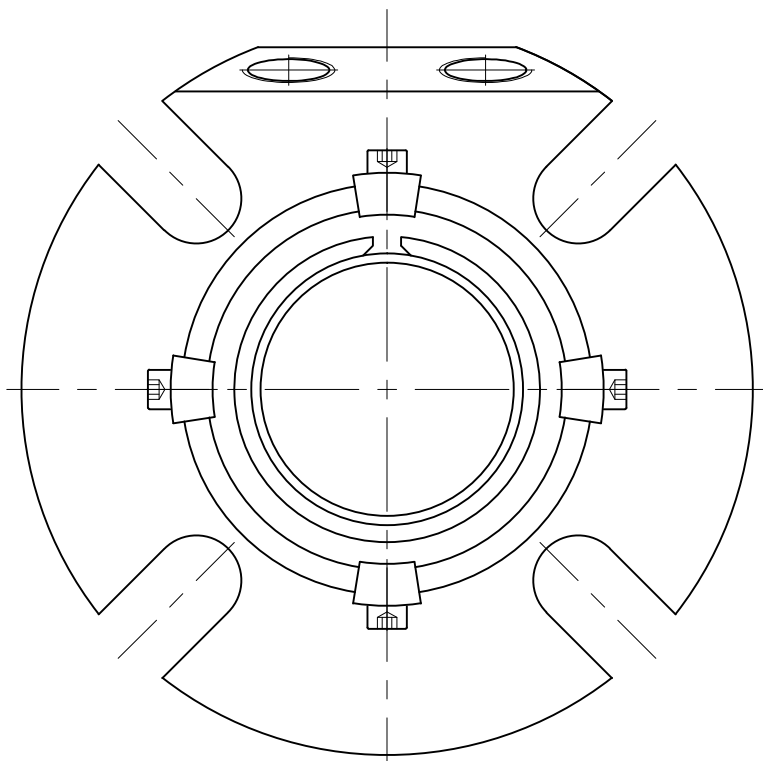
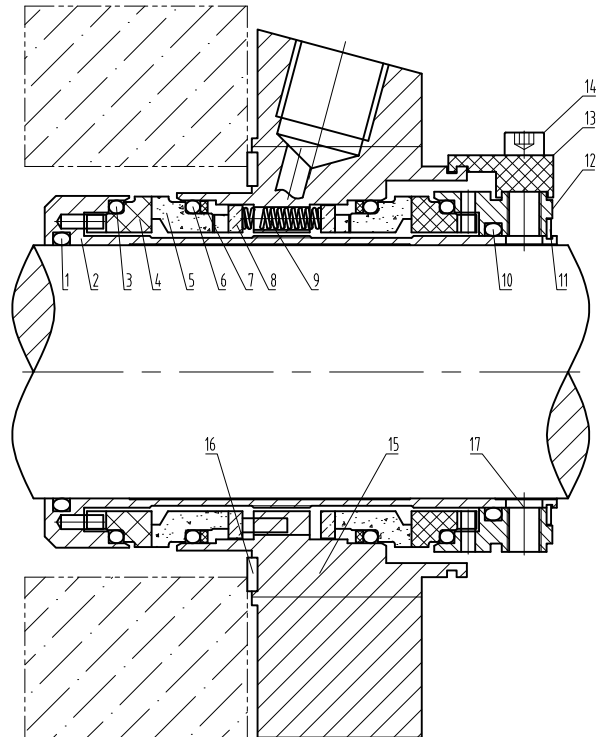
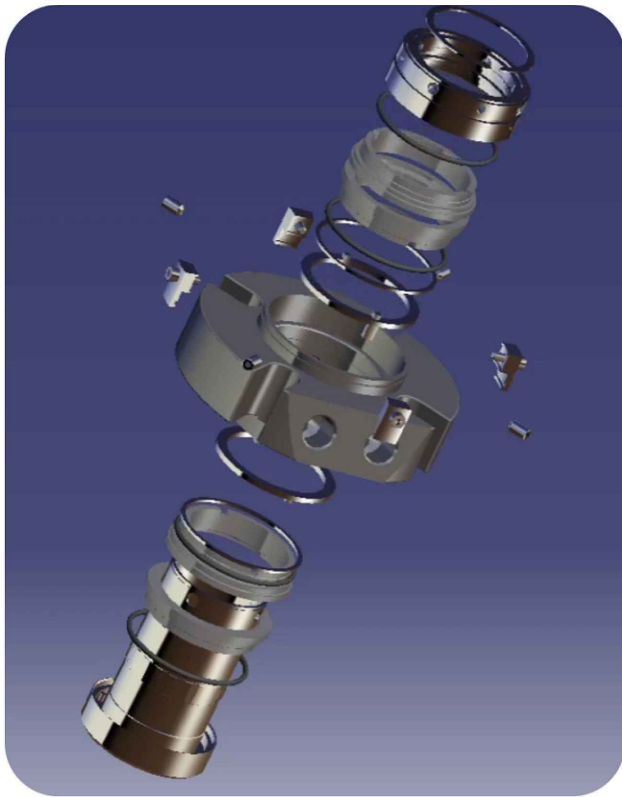
This Sample is MH-S20, It is Double Seal.
 And MH-S10 is Single Seal.

If you need, Call me.

MH-BED

MH-BED Standard Seal--Dimension Data

22 to 100 mm



Description:

Type:MH-BED

Replacement of ANGA BED

Pressure: ≤ 1.6 MPa

Speed: ≤ 12.5 m/s

Temperature: $-30^{\circ}\text{C} \sim +200^{\circ}\text{C}$

Rotary Ring(Carbon/SiC/TC)

Stationary

Ring(Ceramic/SiC/TC)

Secondary

Seal(NBR/EPDM/VITON)

Spring & Other

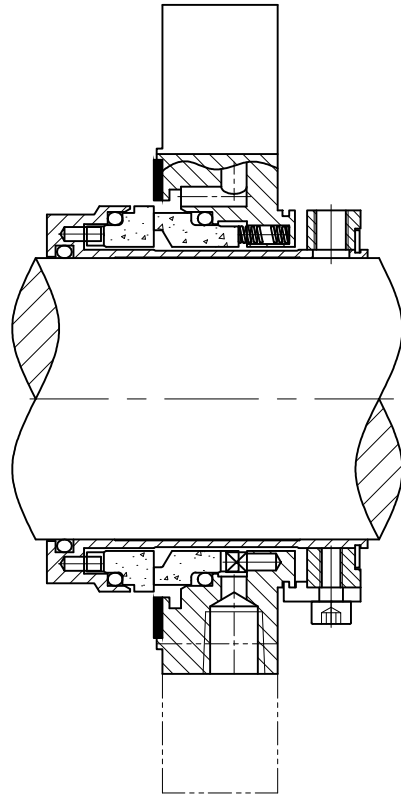
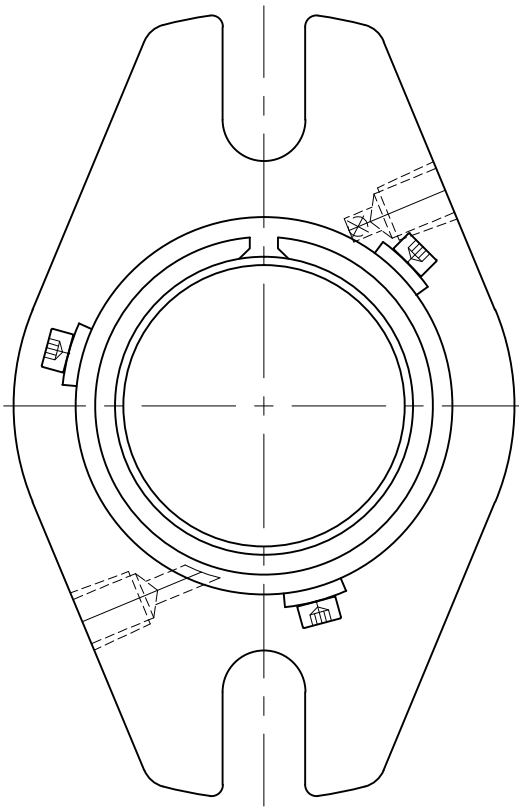
Parts(SUS304/SUS316)

If you need, Call me.

MH270

MH270 Standard Seal--Dimension Data

16 to 160 mm / 0.875" to 6.250" inch



Description:

Type:MH270

Replacement of DEPAC 270

Pressure: ≤ 2.8 MPa

Speed: ≤ 35 m/s

Temperature: $-30^{\circ}\text{C} \sim +200^{\circ}\text{C}$

Rotary Ring(Carbon/SiC/TC)

Stationary

Ring(Ceramic/SiC/TC)

Secondary

Seal(NBR/EPDM/VITON)

Spring & Other

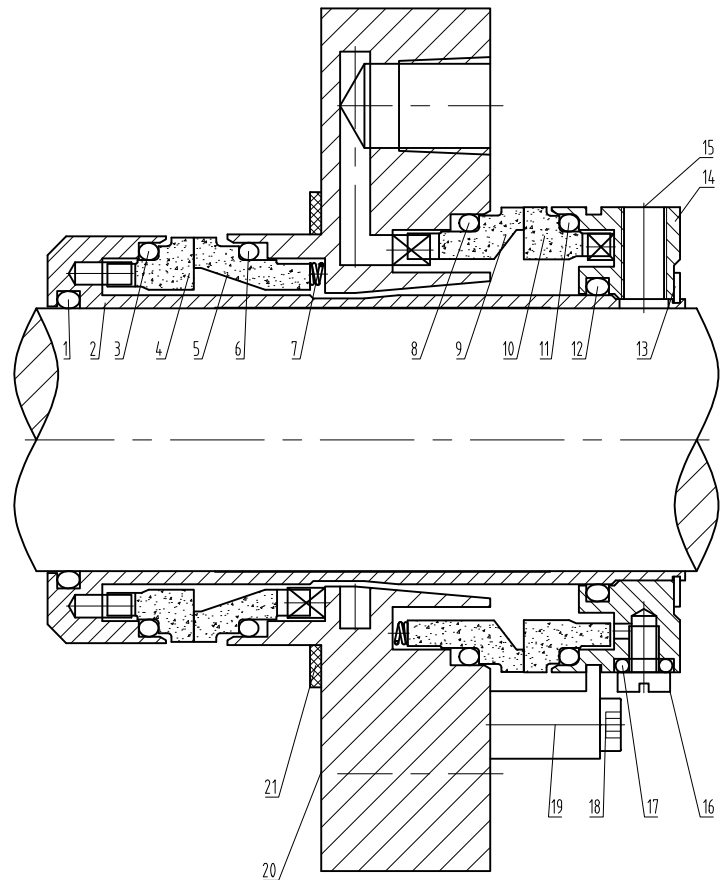
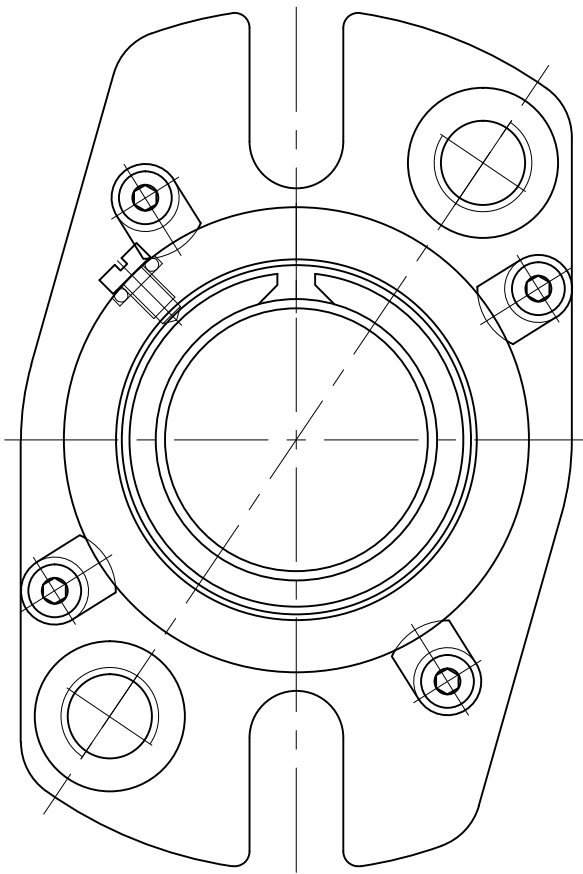
Parts(SUS304/SUS316)

If you need, Call me.

 MH322

MH322 Standard Seal--Dimension Data

24 to 160 mm / 0.9375" to 6.250" inch



Description:

Type:MH322

Replacement of DEPAC 322

Pressure: ≤ 2.8 MPaSpeed: ≤ 35 m/sTemperature: $-30^{\circ}\text{C} \sim +200^{\circ}\text{C}$

Rotary Ring(Carbon/SiC/TC)

Stationary

Ring(Ceramic/SiC/TC)

Secondary

Seal(NBR/EPDM/VITON)

Spring & Other

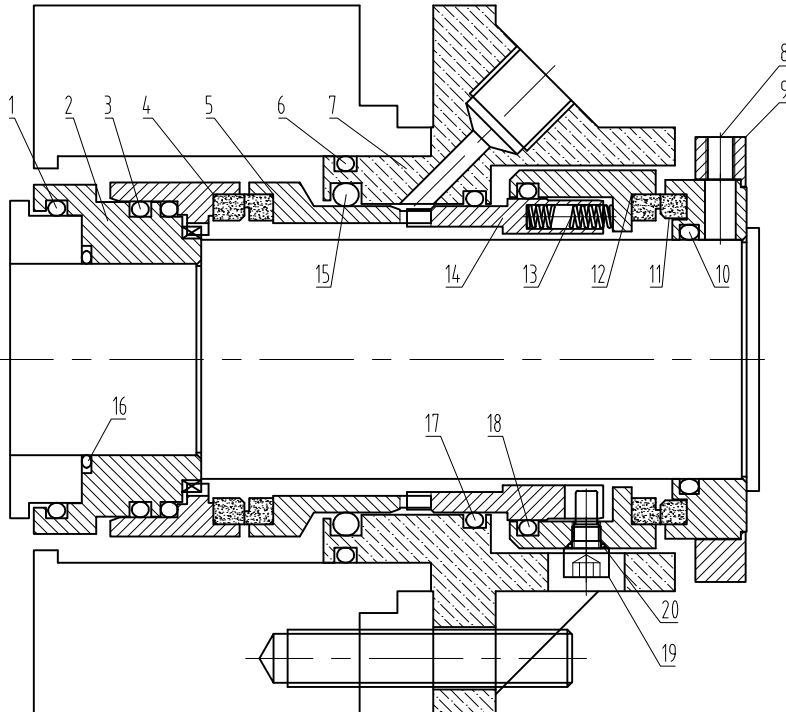
Parts(SUS304/SUS316)



If you need, Call me.

MH-SE2-AP

MH-SE2-AP Standard Seal--Dimension Data



Description:

Type:MH-SE2-AP

Replacement of JohnCrane SE2 AP

Rotary Ring(Carbon/SiC/TC)

Stationary Ring(Ceramic/SiC/TC)

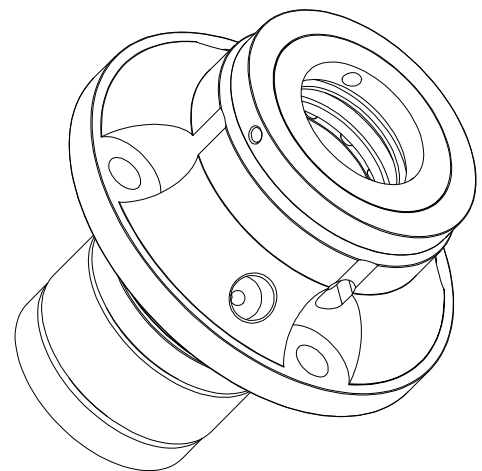
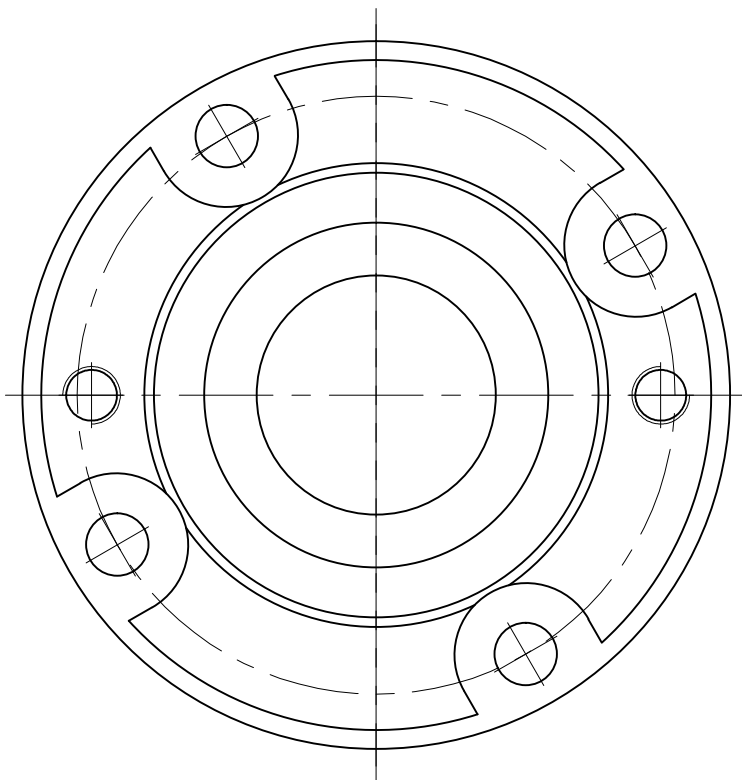
Secondary

Seal(NBR/EPDM/VITON)

Spring & Other

Parts(SUS304/SUS316)

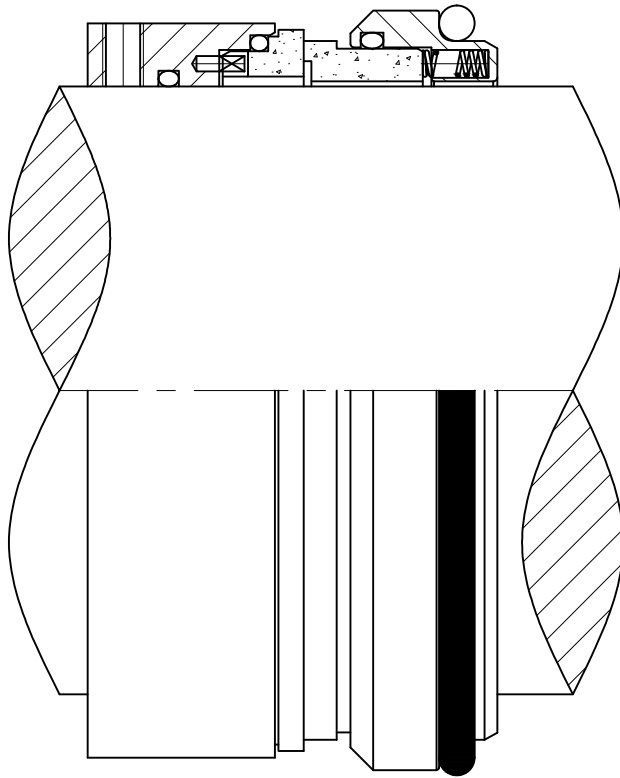
Use for Sulzer Pump



If you need, Call me.

MH-CARTEX-S10/120-E1/E2

MH-CARTEX-S10/120-E1/E2 Standard Seal--Dimension Data



Description:

Type:MH-CARTEX-S10/120

Replacement of Burgmann

CARTEX S10/120-E1/E2

Rotary Ring(SiC)

Stationary

Ring(E1:SiC)/(E2:Carbon)

Secondary Seal(EPDM/VITON)

Spring & Other

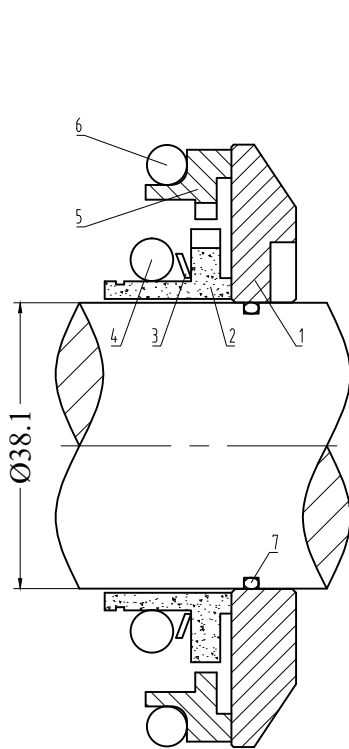
Parts(SUS304/SUS316)



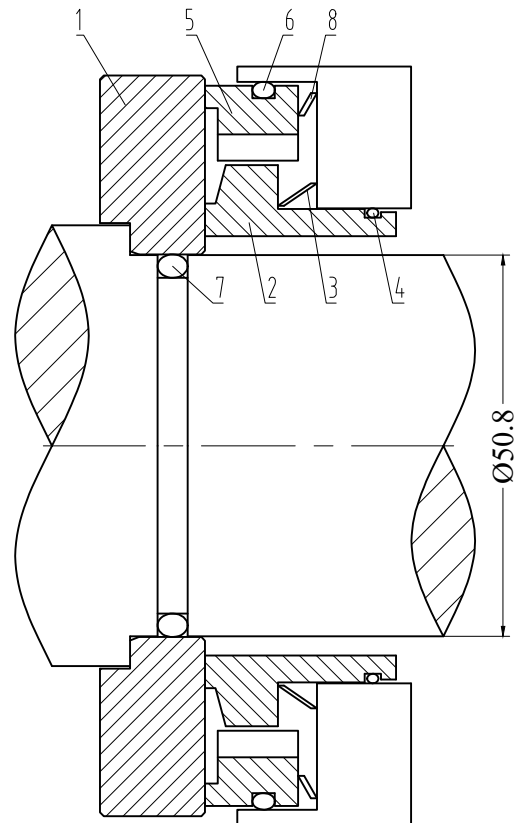
If you need, Call me.

MH-Waukesha-38.1/50.8

MH-Waukesha-38.1/50.8 Standard Seal--Dimension Data



Description:
 Type:MH-Waukesha-38.1
 Rotary Ring : SiC/TC
 Stationary Ring : SiC/TC/Carbon
 Secondary Seal(EPDM/VITON)
 Spring & Other
 Parts(SUS304/SUS316)



Description:
 Type:MH-Waukesha-50.8
 Rotary Ring : SiC/TC
 Stationary Ring : SiC/TC/Carbon
 Secondary Seal(EPDM/VITON)
 Spring & Other
 Parts(SUS304/SUS316)



If you need, Call me.



For Agitators



Metal Bellows



Metal Bellows



Replacement of Sundyne



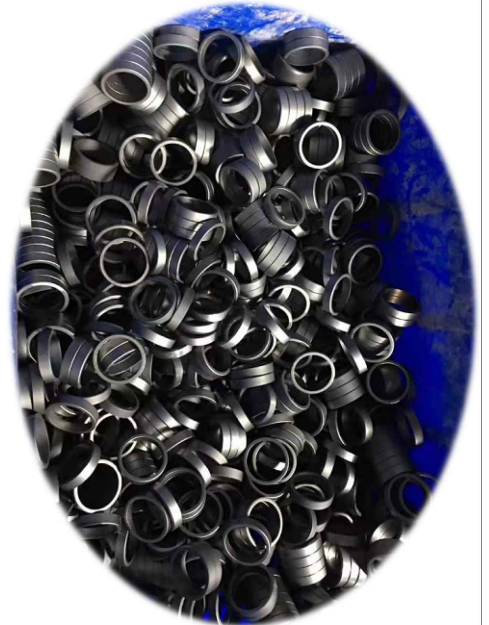
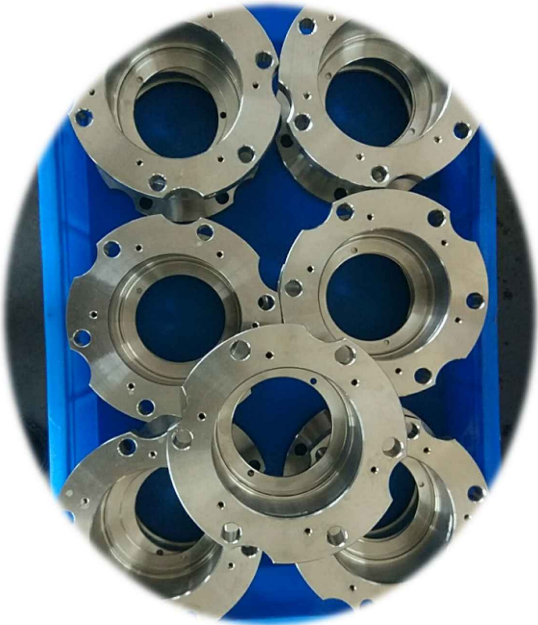
Bellows was made of Inconel718

Mobile:+86-18322017903

E-mail:jade.li@albatrossseal.com

Web:www.albatrossseal.com

ADD: NO.60-1-402,ShengQinXiYuan,HaiGang Distrit, Qinhuangdao City,China



Bearing Isolator

Mobile:+86-18322017903

E-mail:jade.li@albatrossseal.com

Web:www.albatrossseal.com

ADD: NO.60-1-402,ShengQinXiYuan,HaiGang Distrit, Qinhuangdao City,China